

3" ProTools

WG-75RPTAWW-RBT
WG-75SPTAWW-SBT

Installation Instructions

Downlight

Round and Square
Accent Wall Wash
Recessed Bezel Trim

IMPORTANT: Fixture(s) must be wired in series! Refer to driver wiring document

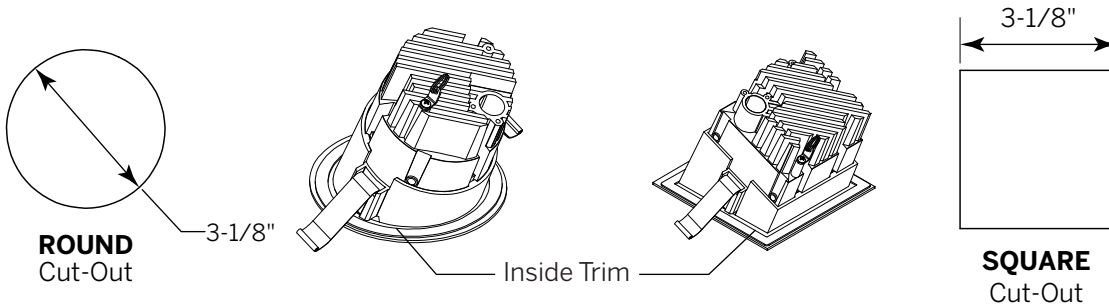
Luminaires must be installed by a qualified electrician. Check with local and national codes for proper installation.



To prevent electrical shock disconnect electrical supply before installation or servicing.

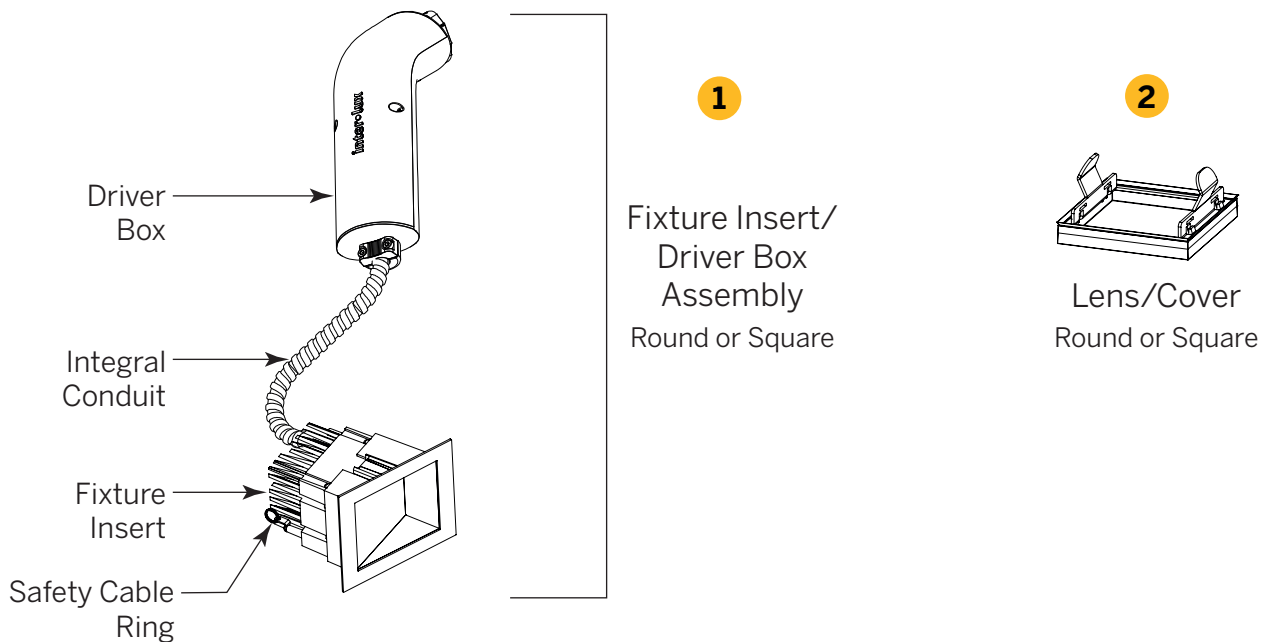
Never connect a live fixture!!!

Contractor is responsible for adequately reinforcing walls and/or ceilings to support fixture weight. Provide blocking when necessary.



Step 1 - Confirm Power Supply is Off!

Unpack luminaire unit. Unit ships in **two** major parts: Fixture Insert/Driver Box Assembly, and Lens/Cover unless Remote Driver version was supplied, then Plenum-rated cable with bare leads is provided. In this configuration, integral conduit and driver box are not included. However, a strain relief is added to where the low voltage wires exit. Remote drivers and housings are supplied by Inter-lux.



NOTE: Safety Cable not supplied with fixture



3" ProTools

WG-75RPTAWW-RBT
WG-75SPTAWW-SBT

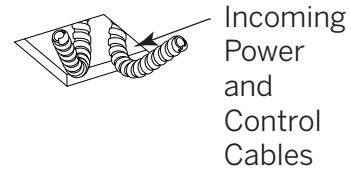
Installation Instructions

Downlight

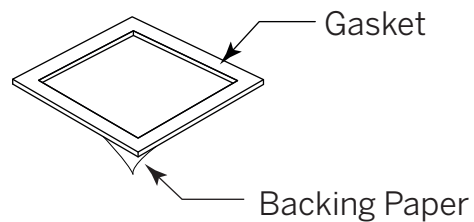
Round and Square
Accent Wall Wash
Recessed Bezel Trim

Step 2 - Ceiling Preparation

Cut appropriate size opening in the ceiling as shown below. Clear any insulation at least 3" from any part of the fixture or driver enclosure.



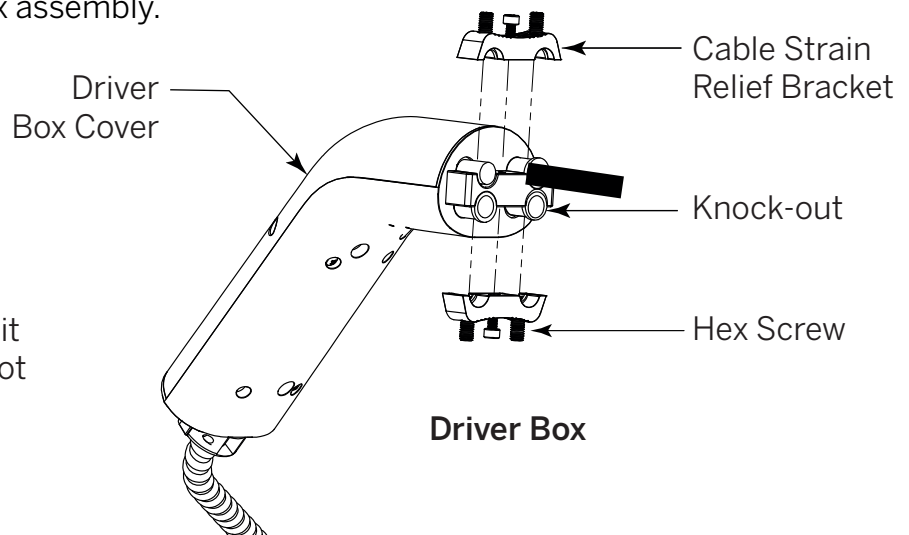
NOTE: Before Installation in dry location, remove supplied Gasket. For wet location, remove backing paper from the Gasket, expose adhesive and apply Gasket to inside trim.



Step 3 - Wiring

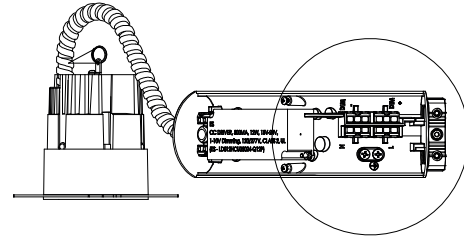
- a** Locate Fixture Insert/Driver Box assembly.
- b** Remove Driver Box Cover. Loosen Cable Strain Relief Bracket(s) and Hex Screws. Remove (unscrew) Knock-outs as necessary.

NOTE: Illustrations show conduit exiting from ceiling. This may not be the case in your installation.

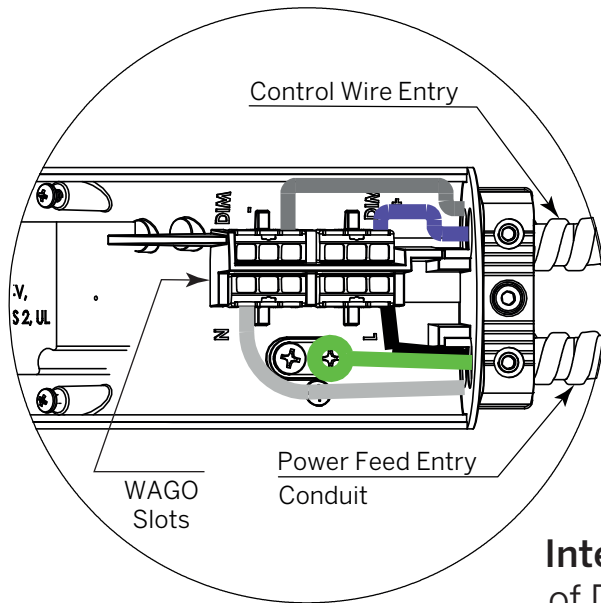


Step 4 - Wiring (continued)

Connect the Power Feed Cable to the Black (L), White (N) and Green (Gnd) Terminals. Connect the Control Wires, if applicable.



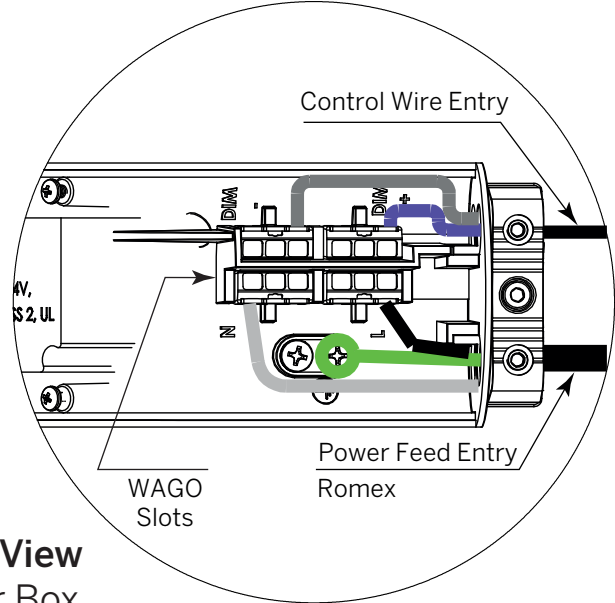
Driver Box
Connected to
Conduit



Interior View
of Driver Box

To connect to driver box, incoming conduit must be Trade Size 3/8. However, this size conduit **cannot** enter driver box. It is held in place by Cable Strain Relief Bracket only.

Driver Box
Connected to
Romex



If Romex is used, fasten set screws to secure in addition to closing strain relief bracket.

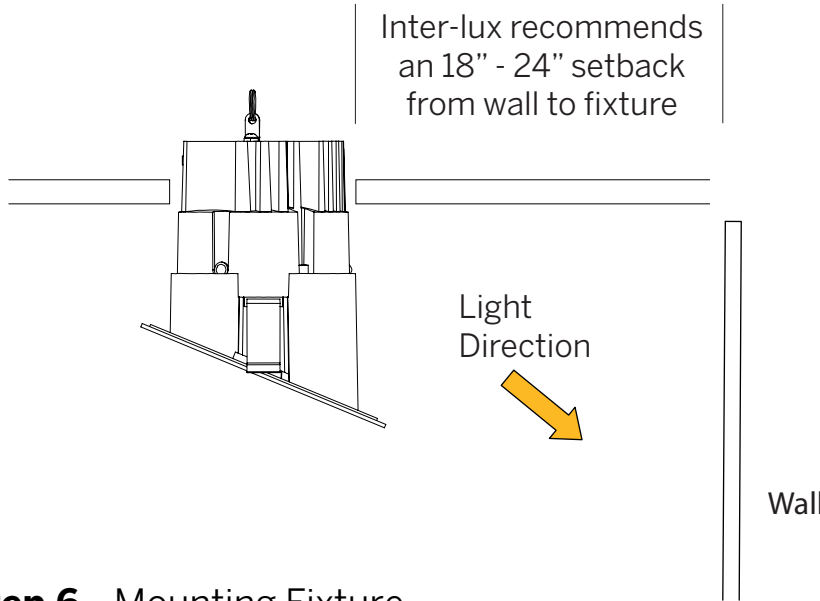
Use 7/64" allen key to fix set screws.

Refer to Driver Wiring Instructions for other control protocols



Step 5 - Fixture Orientation

Orient Fixture Insert such that wall wash lens cover faces wall surface.



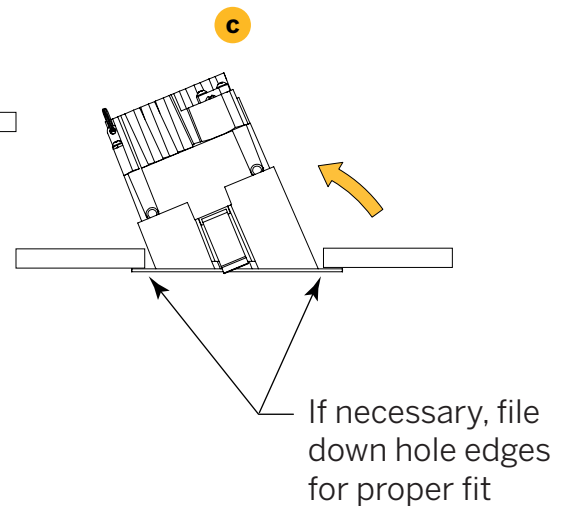
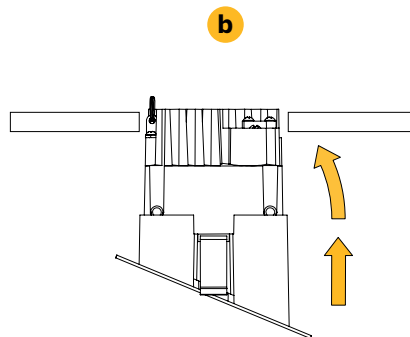
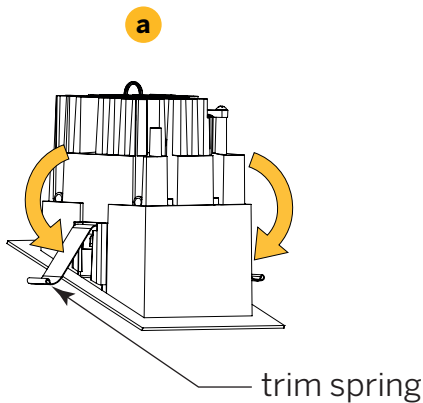
Ceiling Thickness

Minimum: 0.05"
Maximum: 1.00"

Step 6 - Mounting Fixture

- a** Compress trim springs against housing
- b** Push fixture insert through ceiling hole.
- c** Once through hole, let go of springs and adjust insert such that bezel is flat on ceiling.

IMPORTANT: Be careful not to damage LED or Optic during installation process.

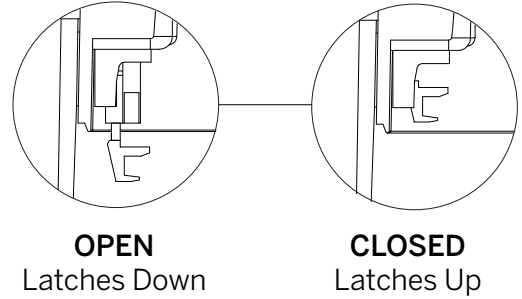


Need Help?

Step 7 - Installing Lens/Cover

- a** Latches are push-to-lock/push-to-release. Check that latches are **OPEN** (down) to receive Lens/Cover.
- b** Orient slots in Lens/Cover with latch locations. Push up into Fixture Insert until a click is heard. Release hand and Lens/Cover will be locked in place.

Lens/Cover Latches



Housings and Fixture Inserts shown upright and out of ceiling for clarity

