

3" ProTools

WG-75RPTAWW-RPT
WG-75SPTAWW-SPT

Installation Instructions

Downlight

Round and Square
Accent Wall Wash
Recessed Plaster Trim

IMPORTANT: Fixture(s) must be wired in series! Refer to driver wiring document

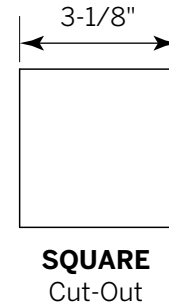
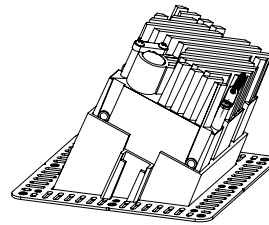
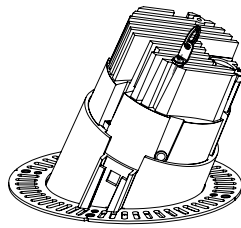
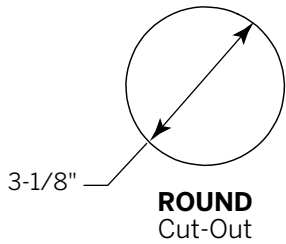
Luminaires must be installed by a qualified electrician. Check with local and national codes for proper installation.



To prevent electrical shock disconnect electrical supply before installation or servicing.

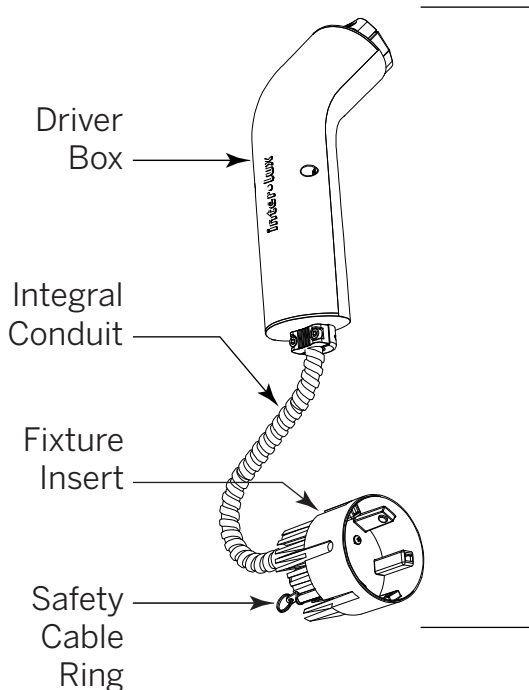
Never connect a live fixture!!!

Contractor is responsible for adequately reinforcing walls and/or ceilings to support fixture weight. Provide blocking when necessary.



Step 1 - Confirm Power Supply is Off!

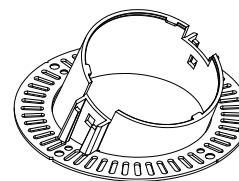
Unpack luminaire unit. Unit ships in **three** major parts: Fixture Insert/Driver Box Assembly, Plaster Trim Housing, and Lens /Cover, unless Remote Driver version was supplied, Plenum-rated cable with bare leads is also provided. In this configuration, integral conduit and driver box are not included. However, a strain relief is added to where the low voltage wires exit. Remote drivers and housings are supplied by Inter-lux.



1

Fixture Insert/
Driver Box
Assembly
Round or Square

2



Plaster Trim
Housing
Round or Square

3



Lens/Cover
Round or Square

NOTE: Safety Cable not supplied with fixture

Need Help?

3" ProTools

WG-75RPTWW-RPT
WG-75SPTWW-SPT

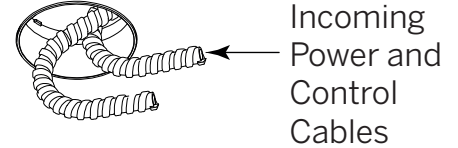
Installation Instructions

Downlight

Round and Square
Accent Wall Wash
Recessed Plaster Trim

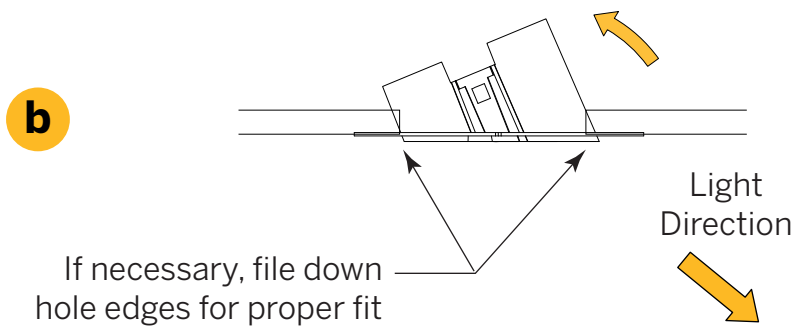
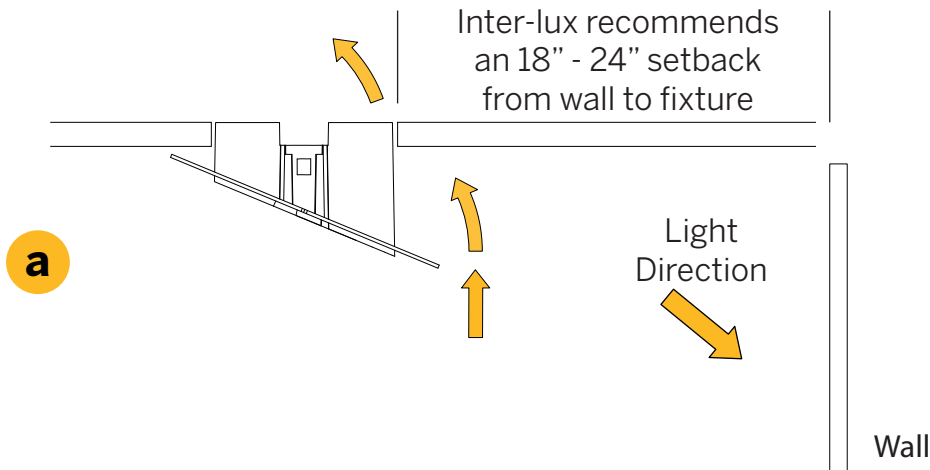
Step 2 - Ceiling Preparation

Cut appropriate size opening in the ceiling as shown above. Clear any insulation at least 3" from any part of the fixture or driver enclosure.

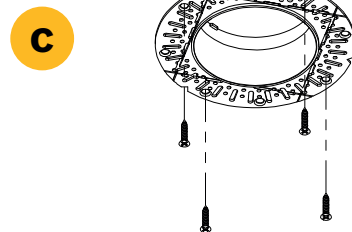


Step 3 - Housing Orientation and Insertion

- a** Before screwing plaster trim into ceiling, orient housing such that wall wash lens cover faces wall surface.
- b** Push housing up into ceiling hole. Rotate housing towards wall such that plaster trim is flat on ceiling.



- c** Screw housing into ceiling blocking or structure.
- d** Pull power and control cables out through housing.



NOTE: Illustrations show conduit exiting from ceiling. This may not be the case in your installation.

Need Help?

3" ProTools

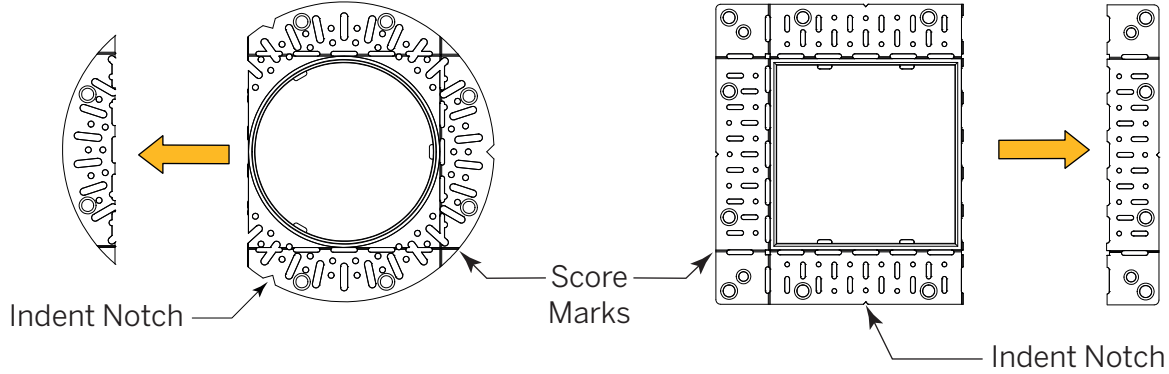
WG-75RPTWW-RPT
WG-75SPTWW-SPT

Installation Instructions

Downlight

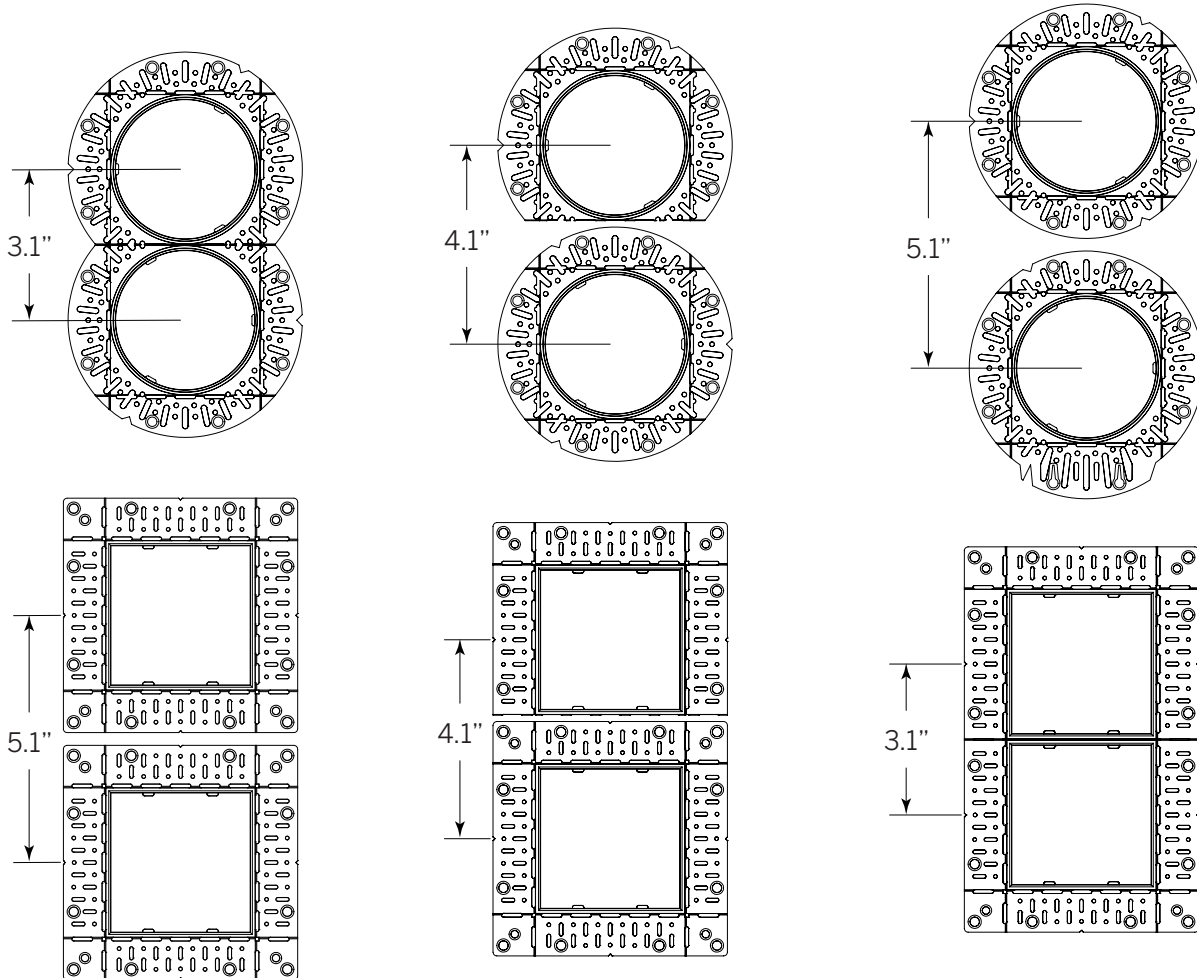
Round and Square
Accent Wall Wash
Recessed Plaster Trim

* For multiple luminaire configuration, see below:



Plaster Trim may be broken on vertical and horizontal score marks to enable tighter arrangements.

Indent notches around perimeter may be used to calculate center marking distances.



3" ProTools

WG-75RPTAWW-RPT
WG-75SPTAWW-SPT

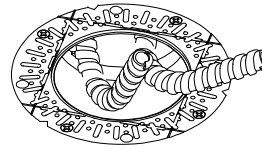
Installation Instructions

Downlight

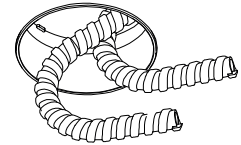
Round and Square
Accent Wall Wash
Recessed Plaster Trim

Step 4 - Apply Joint Compound

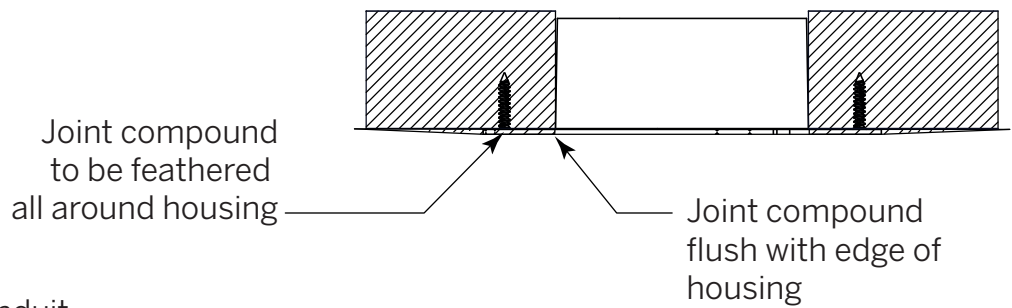
Apply joint compound onto Plaster Trim Housing using tape-and-joint technique. Joint compound should be flush with inside edge of housing. Clean excess while still wet.



Before
Joint Compound



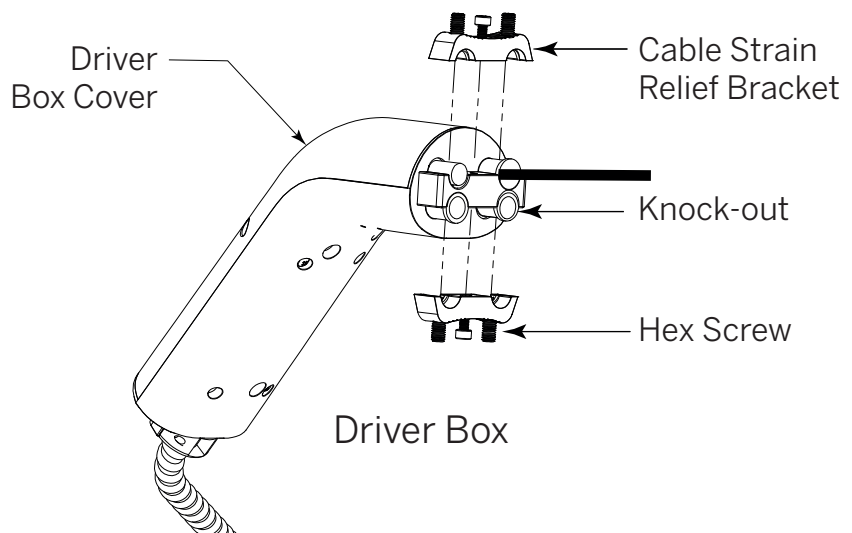
After
Joint Compound



NOTE: Illustrations show conduit exiting from ceiling. This may not be the case in your installation.

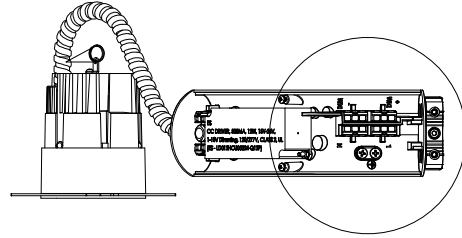
Step 5 - Wiring

- a** Locate Fixture Insert/Driver Box assembly.
- b** Remove Driver Box cover. Loosen Cable Strain Relief Bracket(s) and Hex Screws. Remove (unscrew) Knock-outs as necessary.

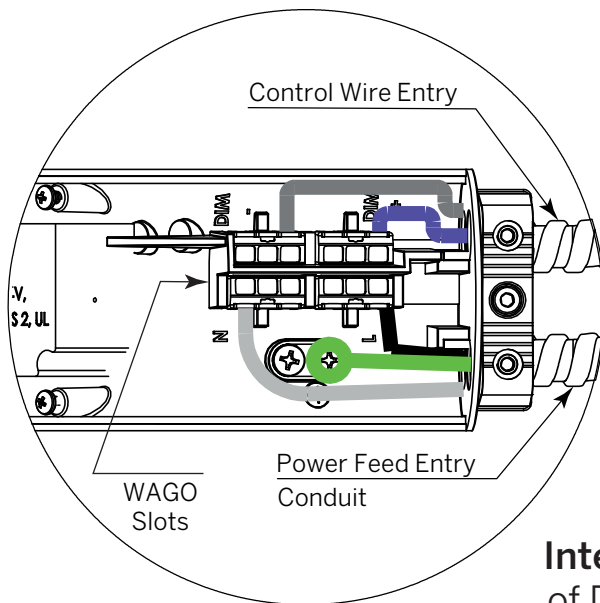


Step 5 - Wiring (Continued)

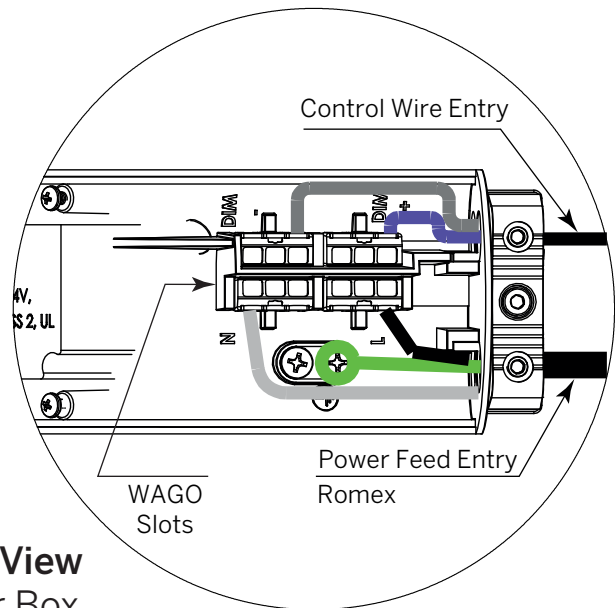
- c Connect the Power Feed Cable to the Black (L), White (N) and Green (Gnd) Terminals. Connect the Control wires, if applicable.



Driver Box
Connected to
Conduit



Driver Box
Connected to
Romex



Interior View of Driver Box

To connect to driver box,
incoming conduit
must be Trade Size 3/8
However, this size conduit
cannot enter driver box.
It is held in place by Cable Strain
Relief Bracket only.

If Romex is used, fasten
set screws to secure
in addition to closing strain
relief bracket.

Use 7/64" allen key to fix set screws.

Refer to Driver Wiring Instructions
for other control protocols



3" ProTools

WG-75RPTAWW-RPT
WG-75SPTAWW-SPT

Installation Instructions

Downlight

Round and Square
Accent Wall Wash
Recessed Plaster Trim

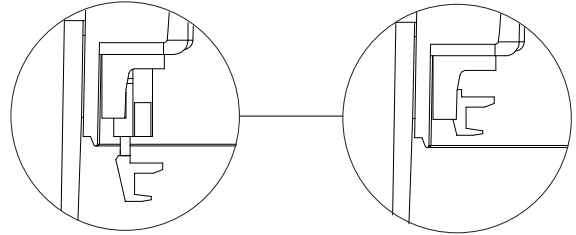
Step 6 - Inserting Fixture and Installing Lens/Cover

- a** Push Fixture Insert into Housing and click into place. Bullet Catches must be visible above top edge of housing.

IMPORTANT: Be careful not to damage LED or Optic during installation process.

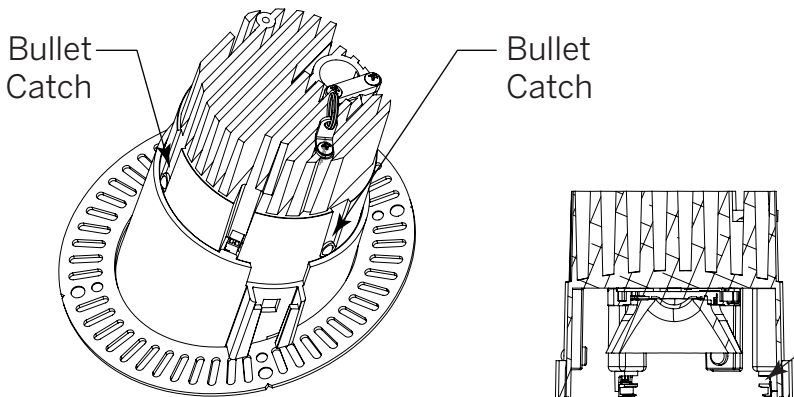
- b** Latches are Push-to-lock/Push-to-release. Check that Latches are **OPEN** (down) to receive Lens/Cover.
- c** Orient slots in Lens/Cover with Latch locations. Push Lens up into Fixture Insert until a click is heard. Release hand and Lens/Cover will be locked in place.

Lens/Cover Latches

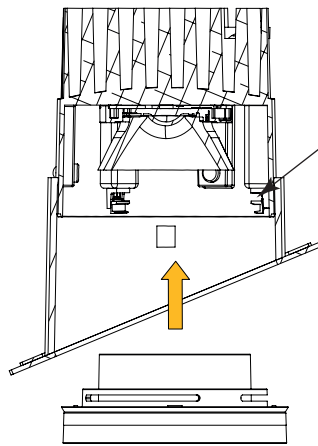


OPEN
Latches Down

CLOSED
Latches Up

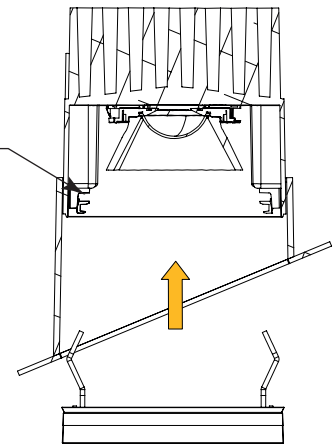


Housing and Fixture Insert shown upright and out of ceiling for clarity

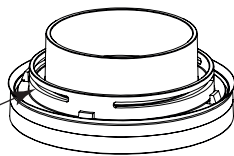


Push Latch

Lenses/
Covers

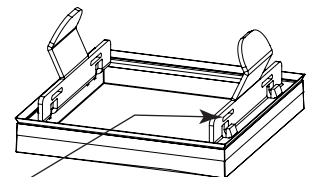


Each long slot engages one of the (3) latches



Round Accent Wall Wash (RAWW)

Each short slot engages one of the (4) latches



Square Accent Wall Wash (SAWW)



3" ProTools

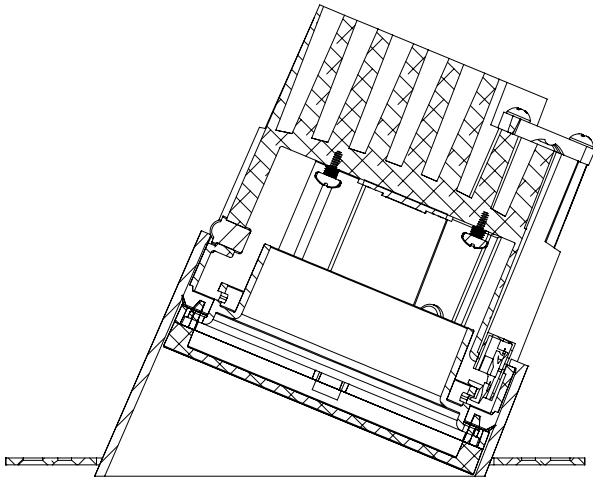
WG-75RPTAWW-RPT
WG-75SPTAWW-SPT

Installation Instructions

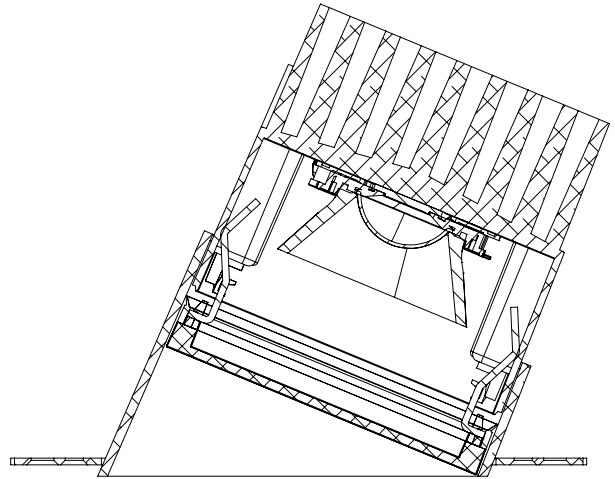
Downlight

Round and Square
Accent Wall Wash
Recessed Plaster Trim

Correct Seating for Round and Square Accent Wall Wash Cover/Lenses



Round Accent
Wall Wash
(RAWW)



Square Accent
Wall Wash
(SAWW)

