

# 3" ProTools

WG-75RPTA-RPT  
WG-75SPTA-SPT

# Installation Instructions

# Downlight

Round and Square  
Adjustable  
Recessed Plaster Trim

**IMPORTANT:** Fixture(s) must be wired in series! Refer to driver wiring document

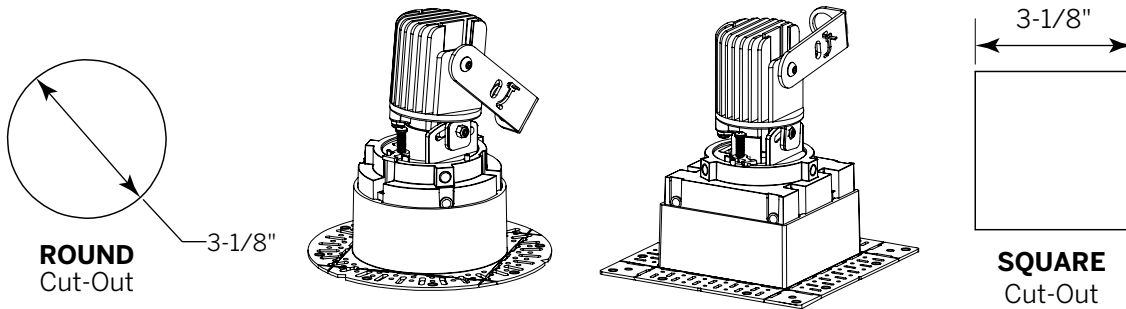
Luminaires must be installed by a qualified electrician. Check with local and national codes for proper installation.



To prevent electrical shock disconnect electrical supply before installation or servicing.

**Never connect a live fixture!!!**

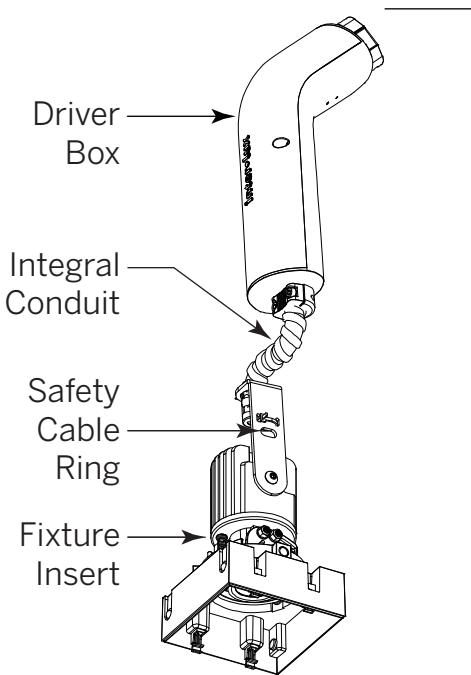
Contractor is responsible for adequately reinforcing walls and/or ceilings to support fixture weight. Provide blocking when necessary.



S32919

## Step 1 - Confirm Power Supply is Off!

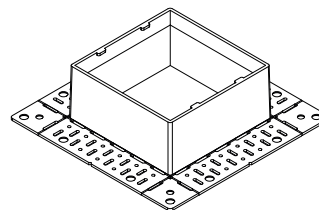
Unpack luminaire unit. Unit ships in **three** major parts: Fixture Insert/Driver Box Assembly, Plaster Trim Housing, and Lens/Cover unless Remote Driver version was supplied, then Plenum-rated cable with bare leads is also provided. In this configuration, integral conduit and driver box are not included. However, a strain relief is added to where the low voltage wires exit. Remote drivers and housings are supplied by Inter-lux.



1

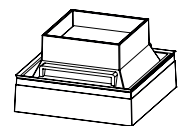
Fixture Insert/  
Driver Box  
Assembly  
Round or Square

2



Plaster Trim  
Housing  
Round or Square

3



Lens/Cover  
Round or Square  
(Type as specified)

**NOTE:** Safety Cable not supplied with fixture

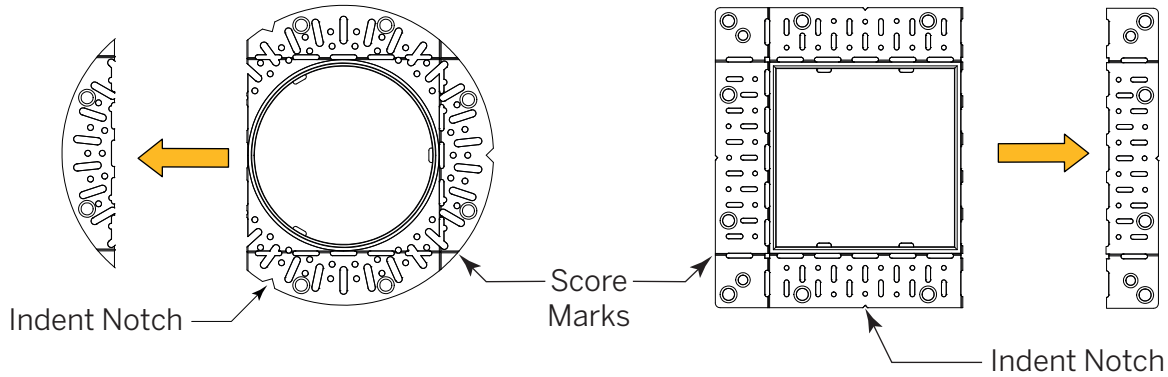
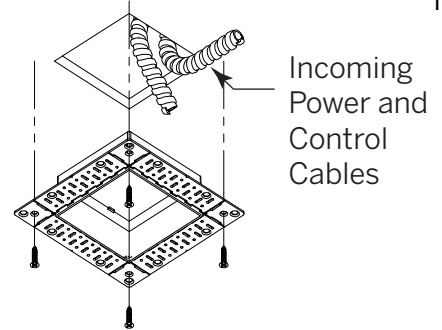
Need Help?

## Step 2 - Ceiling Preparation

Cut appropriate size opening in the ceiling as shown above. Clear any insulation at least 3" from any part of the fixture or driver enclosure.

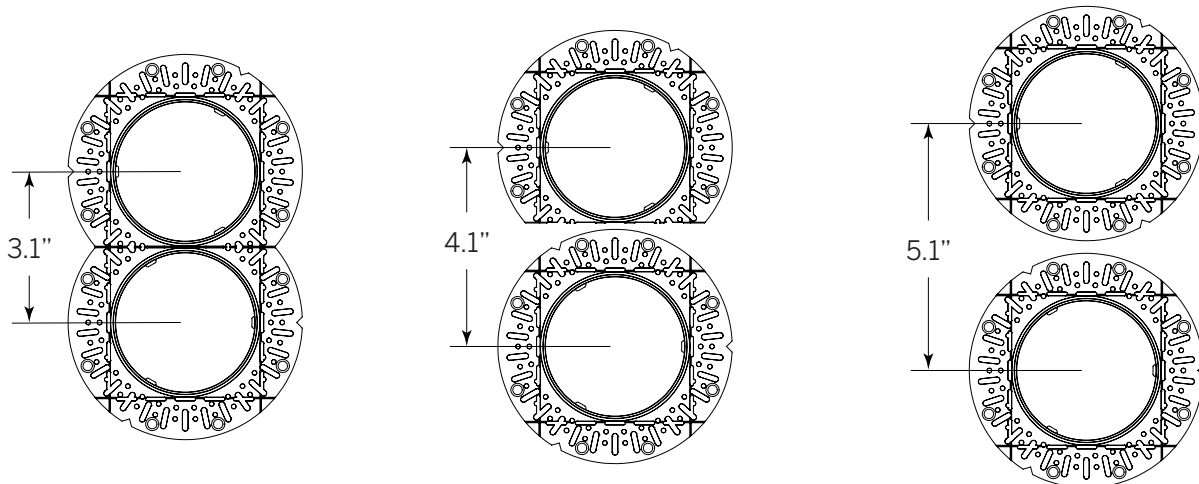
## Step 3 - Insert Housing

- a** Screw housing into ceiling blocking or structure.
- b** Pull power and control cables out through housing.
- \*** For multiple luminaire configuration, see below:



Plaster Trim may be broken on vertical and horizontal score marks to enable tighter arrangements.

Indent notches around perimeter may be used to calculate center marking distances



Need Help?

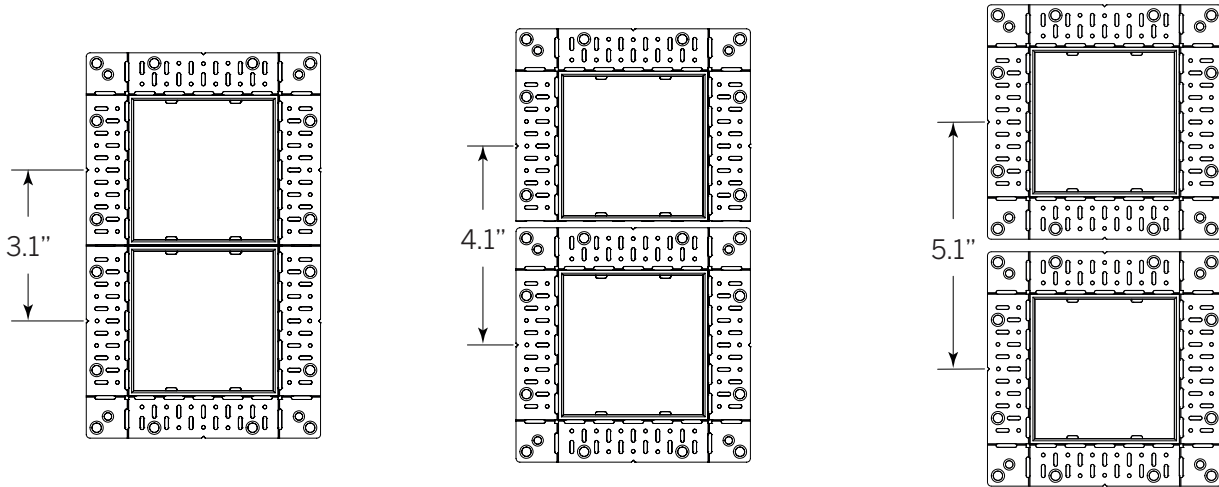
# 3" ProTools

WG-75PTRDL-RPT  
WG-75PTSDL-SPT

# Installation Instructions

# Downlight

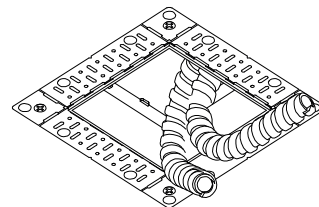
Round and Square  
Adjustable  
Recessed Plaster Trim



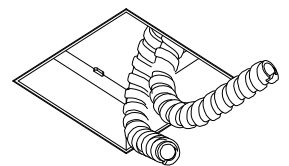
## Step 4 - Apply Joint Compound

Apply joint compound onto plaster trim frame using tape-and-joint technique. Joint compound should be flush with inside edge of housing. Clean excess while still wet.

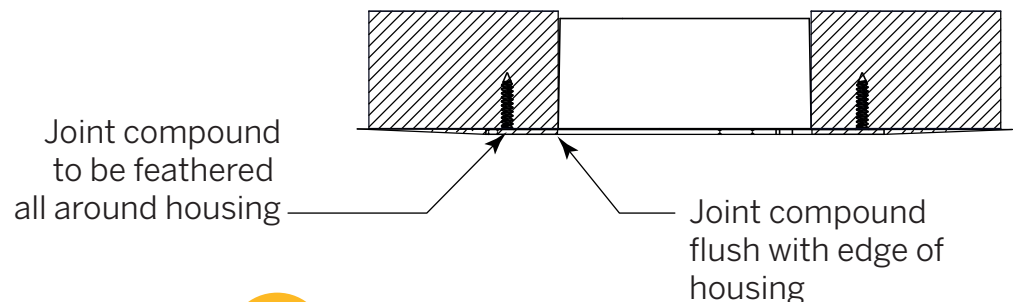
**NOTE:** Illustrations show conduit exiting from ceiling. This may not be the case in your installation.



Before  
Joint Compound



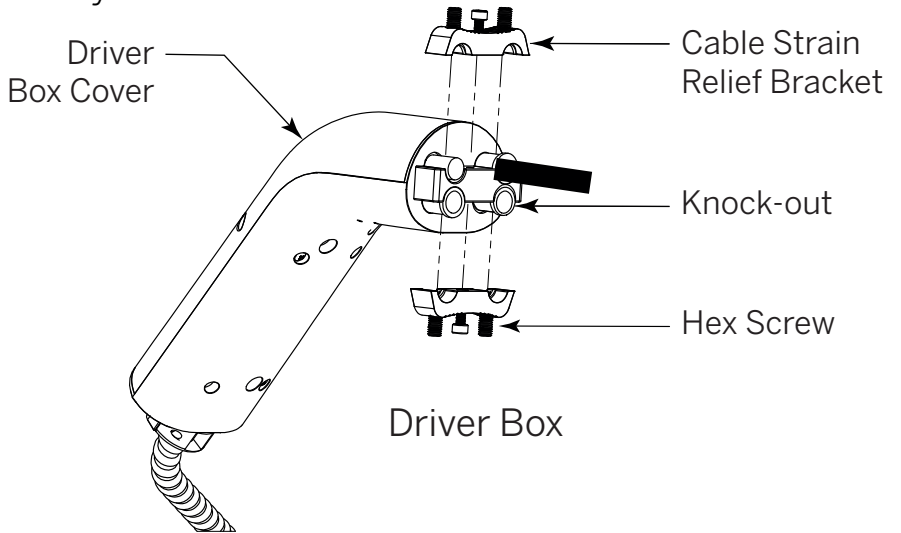
After  
Joint Compound



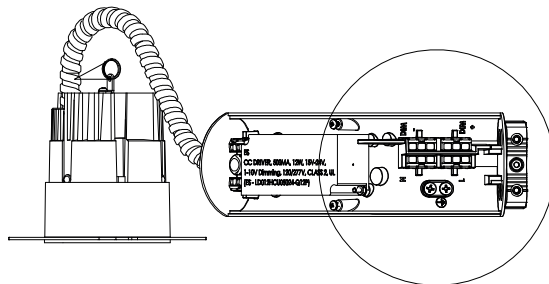
## Step 5 - Wiring

- a** Locate Fixture Insert/Driver Box assembly.
- b** Remove Driver Box Cover. Loosen Cable Strain Relief Bracket(s) and Hex Screws. Remove (unscrew) Knock-outs as necessary.

**NOTE:** Illustrations show conduit exiting from ceiling. This may not be the case in your installation.



- c** Connect the Power Feed Cable to the Black (L), White (N) and Green (Gnd) Terminals. Connect the Control Wires, if applicable.

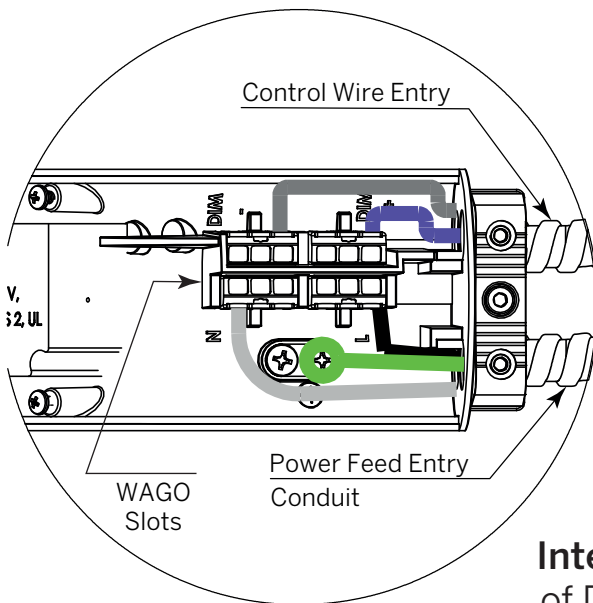


See next page for enlarged view

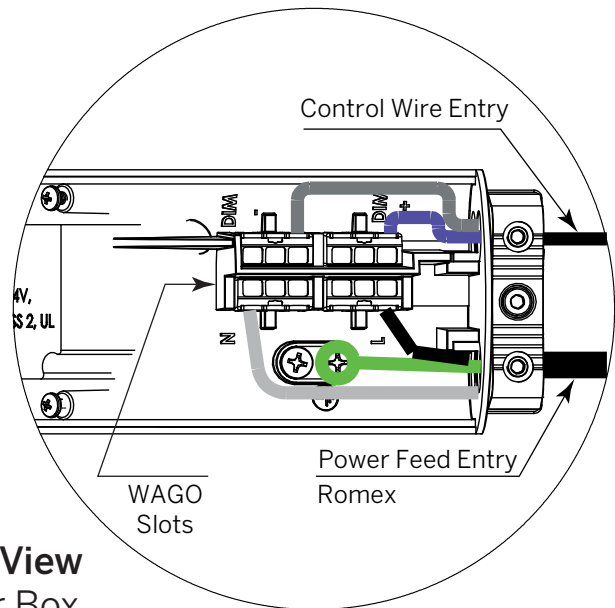
Need  
Help?

## Step 5 - Wiring (continued)

Driver Box  
Connected to  
**Conduit**



Driver Box  
Connected to  
**Romex**



### Interior View of Driver Box

To connect to driver box,  
incoming conduit  
must be Trade Size 3/8

However, this size conduit  
**cannot** enter driver box.  
It is held in place by Cable Strain  
Relief Bracket only.

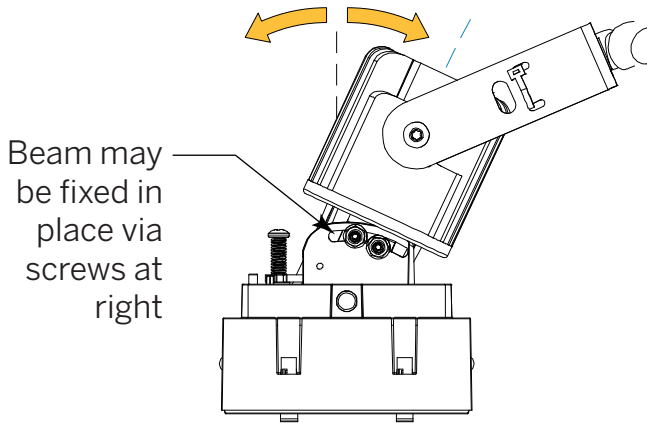
If Romex is used, fasten  
set screws to secure  
in addition to closing strain  
relief bracket.

Use 7/64" allen key to fix set screws.

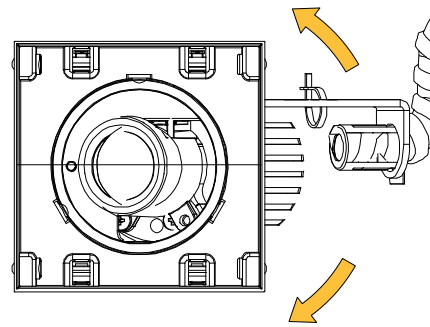
Refer to Driver Wiring Instructions  
for other control protocols

Need  
Help?

## Step 6 - Adjusting Light Direction



40° Adjustable  
in two directions

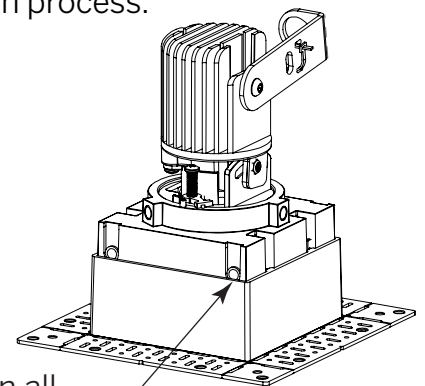
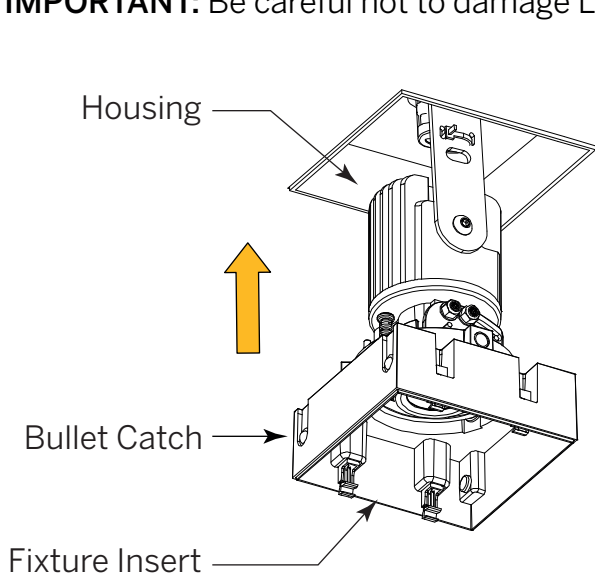


361° Adjustable

## Step 7 - Inserting Fixture Insert into Housing

Push Fixture Insert into Housing in ceiling. A click will be heard when Insert is properly seated.

**IMPORTANT:** Be careful not to damage LED or Optic during installation process.

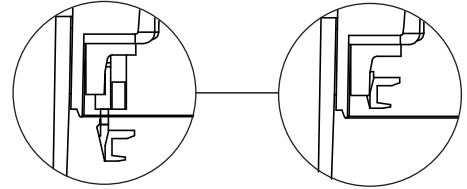


Click heard when all  
(4) Bullet Catches  
move past top  
edge of Housing



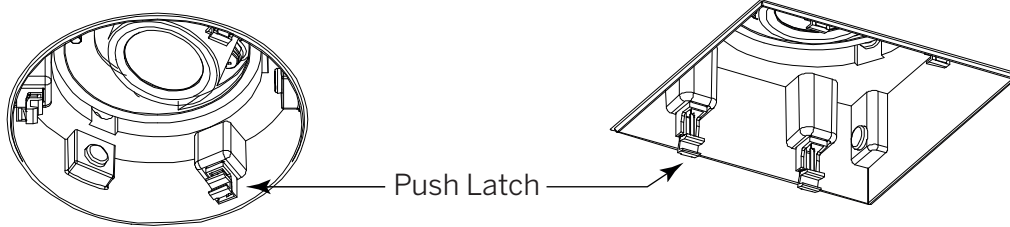
## Step 8 - Latching Lens/Cover Inside Housing

- a** Latches are Push-to-lock/Push-to-release. Check that latches are **OPEN** (down) to receive lens/cover.
- b** Orient slots in Lens/Cover with latch locations. Push up into Fixture Insert until a click is heard. Release hand and Lens/Cover will be locked in place.

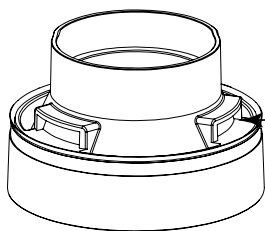
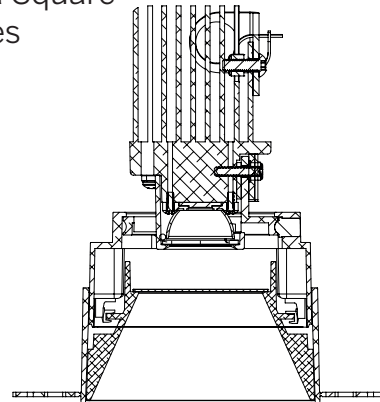
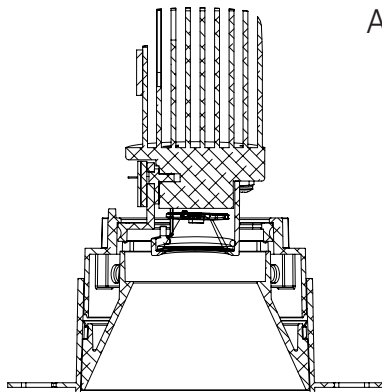


**OPEN**  
Latches Down

**CLOSED**  
Latches Up

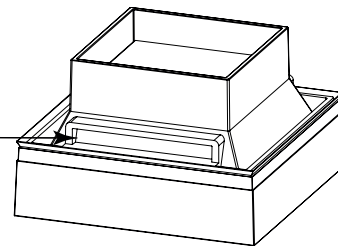


## Correct Seating for Round and Square Adjustable Cover/Lenses



Round Recessed Cone  
(RRC)

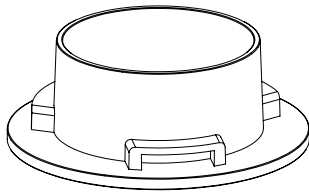
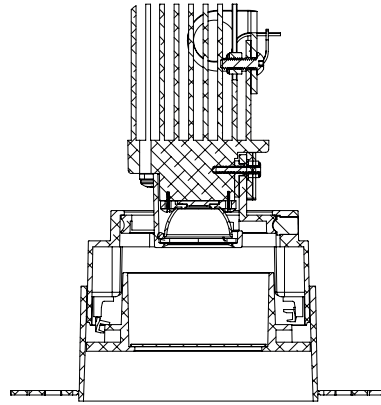
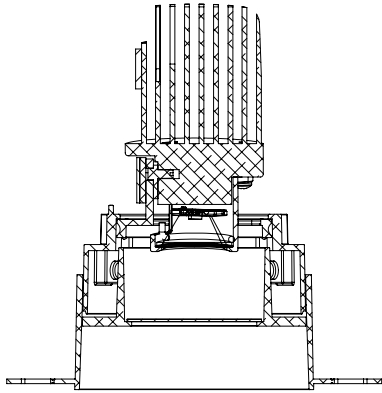
Tab



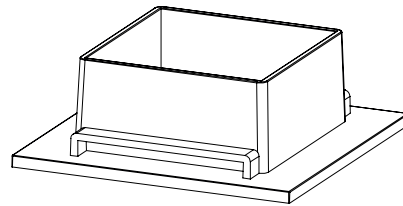
Square Recessed Cone  
(SRC)

Need  
Help?

### Correct Seating for Round and Square Adjustable Cover/Lenses



Round Regressed Pinhole  
(RRPH)



Square Regressed Pinhole  
(SRPH)

