

3" ProTools

WG-75RPTDL-RBT
WG-75SPTDL-SBT

Installation Instructions

Downlight

Round and Square
Standard Lens/Cover
Recessed Bezel Trim

IMPORTANT: Fixture(s) must be wired in series! Refer to driver wiring document

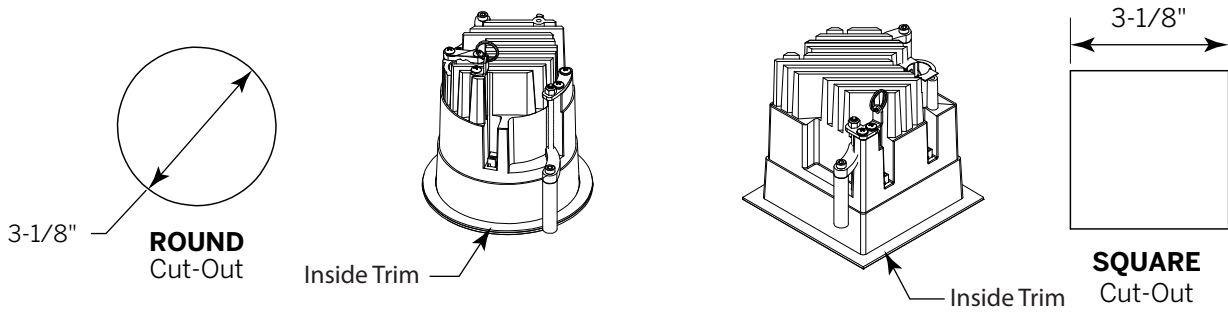
Luminaires must be installed by a qualified electrician. Check with local and national codes for proper installation.



To prevent electrical shock disconnect electrical supply before installation or servicing.

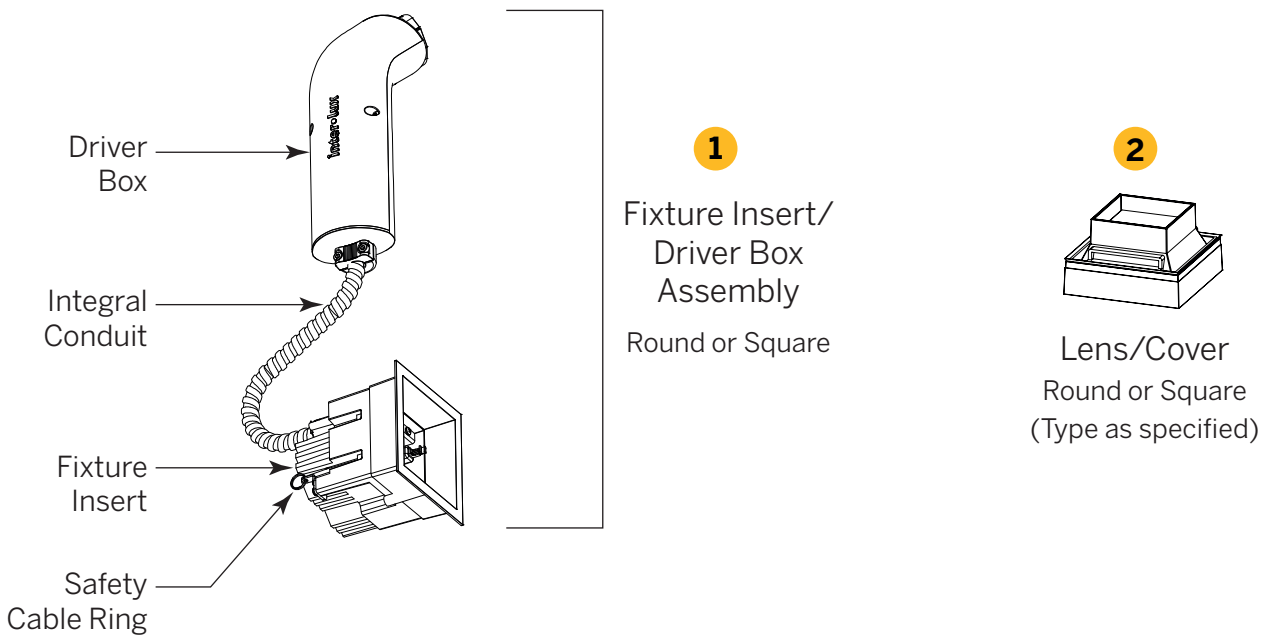
Never connect a live fixture!!!

Contractor is responsible for adequately reinforcing walls and/or ceilings to support fixture weight. Provide blocking when necessary.



Step 1 - Confirm Power Supply is Off!

Unpack luminaire unit. Unit ships in **two** major parts: Fixture Insert/Driver Box Assembly and Lens/Cover unless Remote Driver version was supplied, then Plenum-rated cable with bare leads is also provided. In this configuration, integral conduit and driver box are not included. However, a strain relief is added to where the low voltage wires exit. Remote drivers and housings are supplied by Inter-lux.

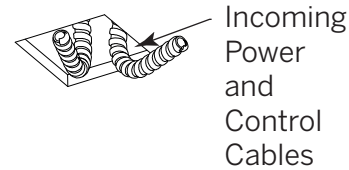


NOTE: Safety Cable not supplied with fixture

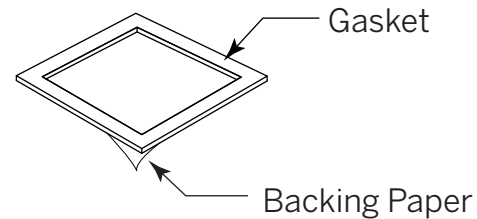


Step 2 - Ceiling Preparation

Cut appropriate size opening in the ceiling as shown below. Clear any insulation at least 3" from any part of the fixture or driver enclosure.



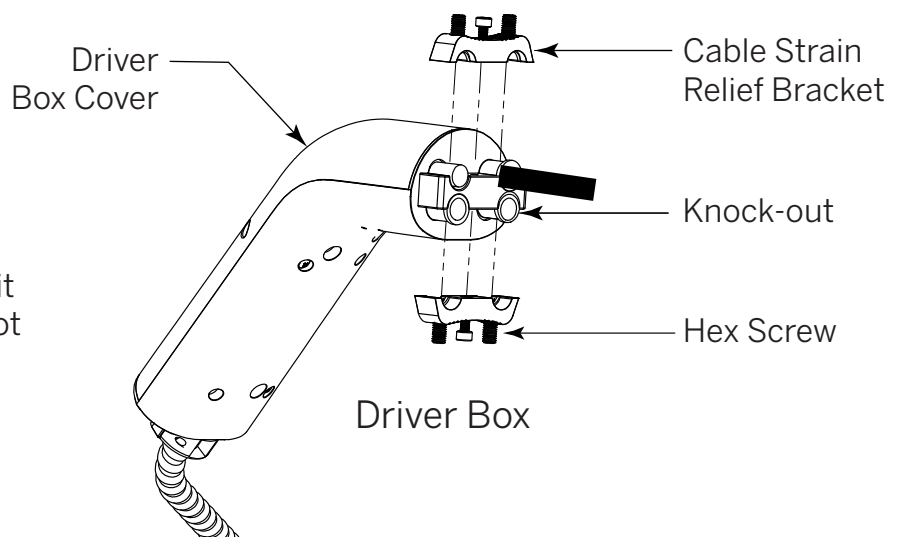
NOTE: Before Installation in dry location, remove supplied Gasket. For wet location, remove backing paper from the Gasket, expose adhesive, and apply Gasket to inside trim.



Step 3 - Wiring

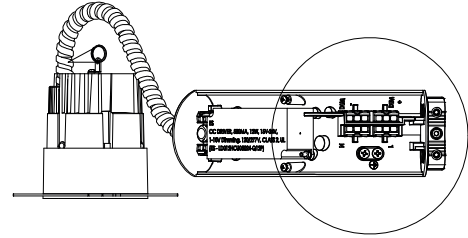
- a** Locate Fixture Insert/Driver Box assembly.
- b** Remove Driver Box Cover. Loosen Cable Strain Relief Bracket(s) and Hex Screws. Remove (unscrew) Knock-outs as necessary.

NOTE: Illustrations show conduit exiting from ceiling. This may not be the case in your installation.

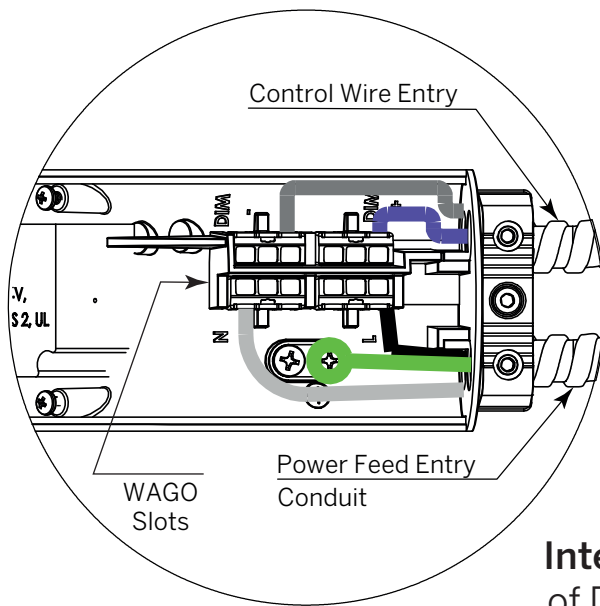


Step 4 - Wiring (Cont.)

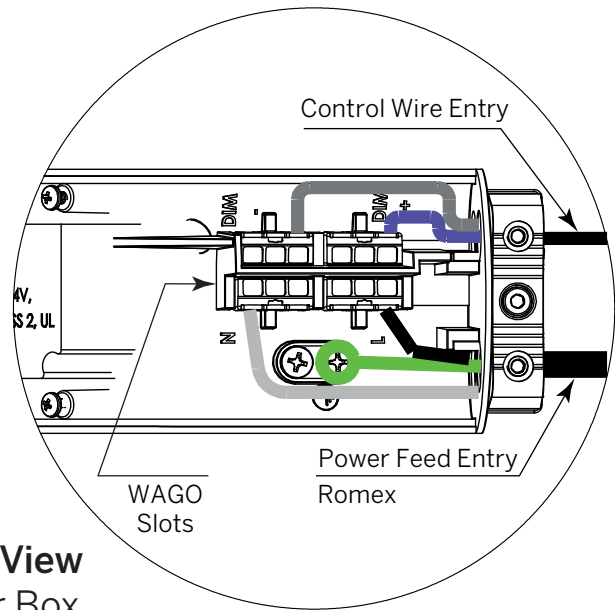
Connect the Power Feed Cable to the Black (L), White (N) and Green (Gnd) Terminals. Connect the Control Wires, if applicable.



Driver Box
Connected to
Conduit



Driver Box
Connected to
Romex



Interior View of Driver Box

To connect to driver box, incoming conduit must be Trade Size 3/8. However, this size conduit **cannot** enter driver box. It is held in place by Cable Strain Relief Bracket only.

If Romex is used, fasten set screws to secure in addition to closing strain relief bracket.

Use 7/64" allen key to fix set screws.

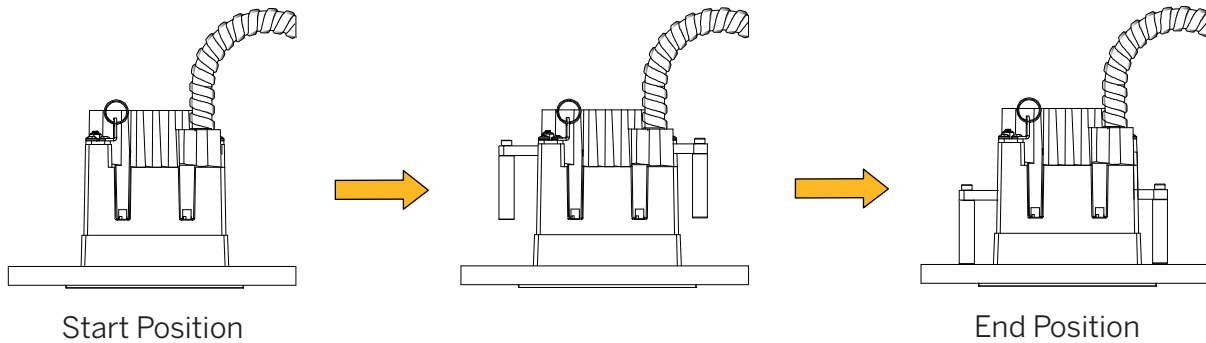
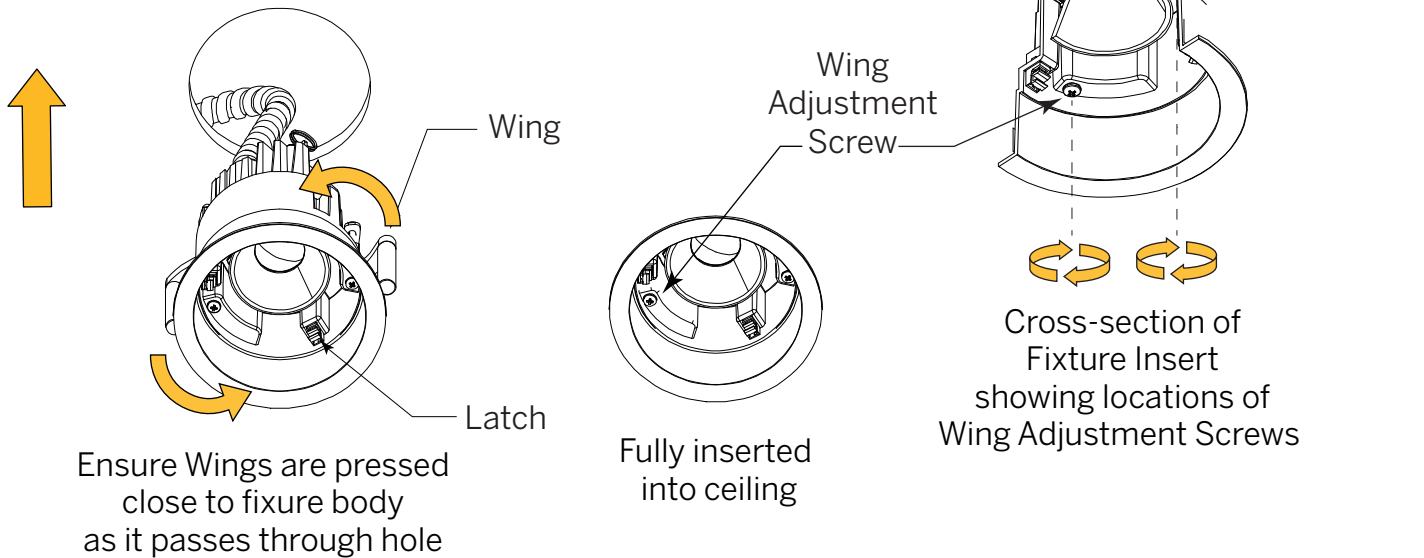
Refer to Driver Wiring Instructions for other control protocols



Step 5 - Mounting Fixture

- a** Ensure that Wings are close to body
- b** Push Fixture Insert into hole.

Ceiling Thickness
Minimum: 0.05"
Maximum: 1.00"



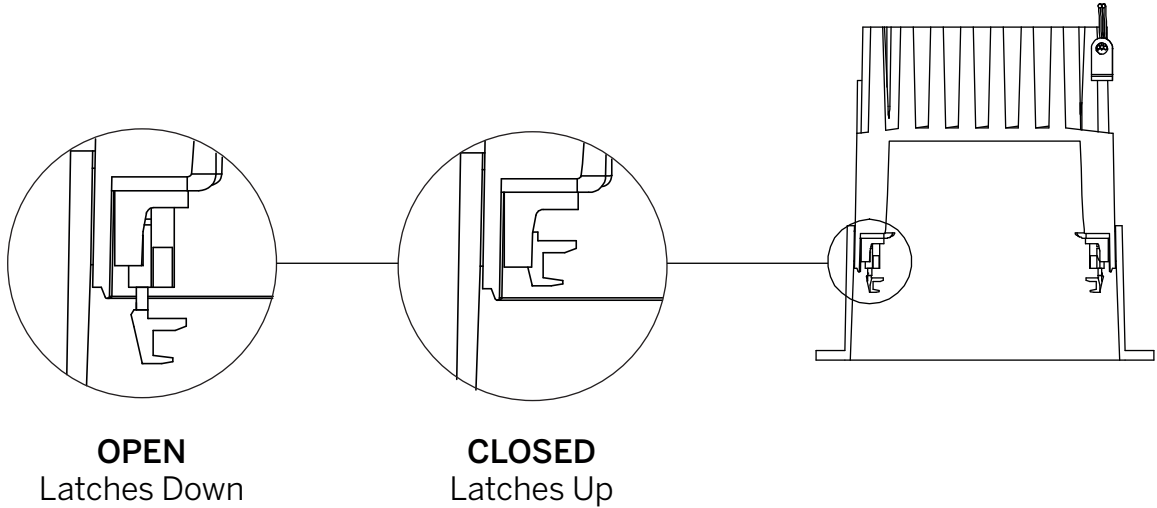
Turn Wing Adjustment Screws **clockwise** from below. Initial position shown at left. Wings are close to fixture body and raised to full height. As screws are turned, wings swing out, lower, and clamp Fixture Insert to inside of ceiling, as shown at right.

IMPORTANT: Be careful not to damage LED or Optic during installation process.

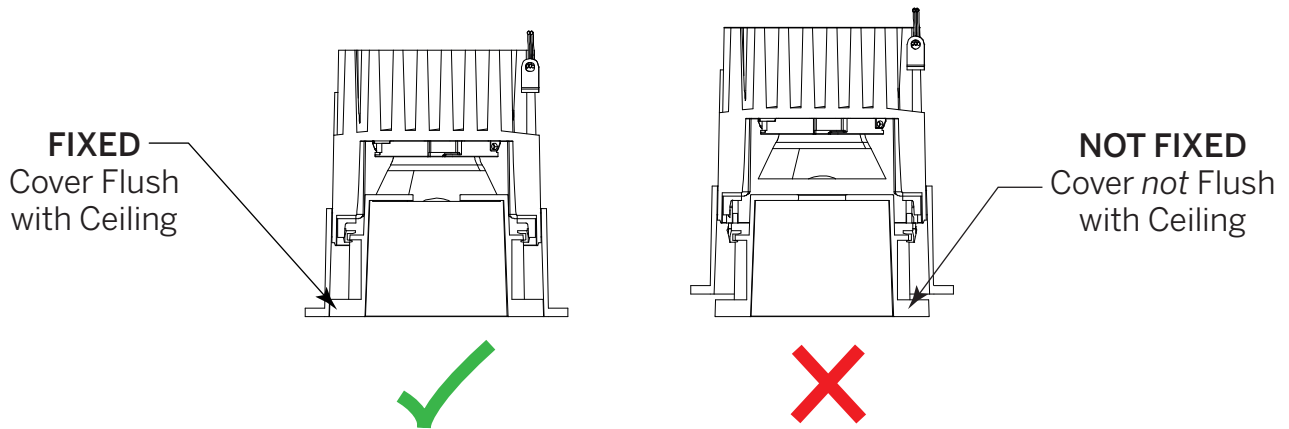


Step 6 - Latching Lens cover inside Fixture Insert

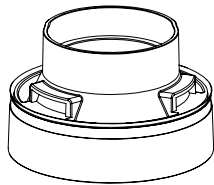
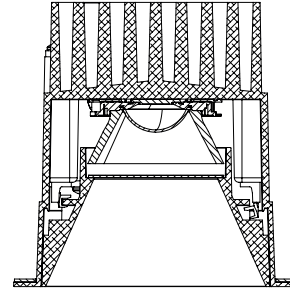
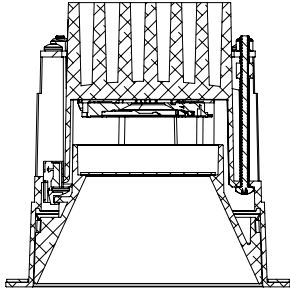
- a** Check to ensure **all** push latches are **OPEN** before inserting



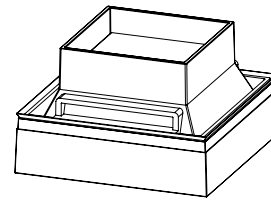
- b** Ensure lens cover is fixed in place.



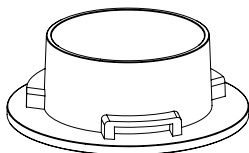
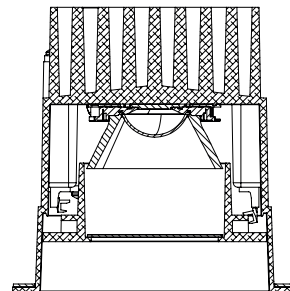
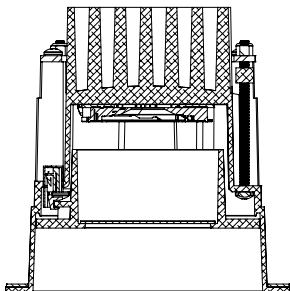
The PTD3 Downlight may be outfitted with any of the following round and square Lenses/Covers:



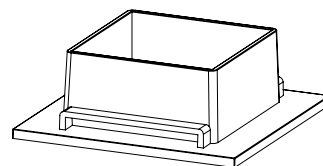
Round Recessed Cone
(RRC)



Square Recessed Cone
(SRC)



Round Regressed Pinhole
(RRPH)



Square Regressed Pinhole
(SRPH)



3" ProTools

WG-75RPTDL-RBT
WG-75SPTDL-SBT

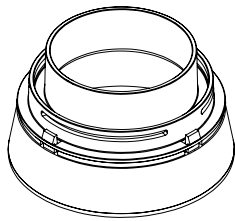
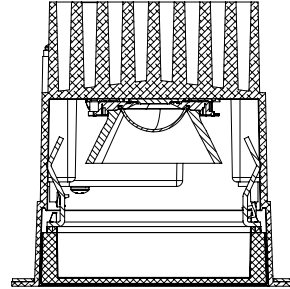
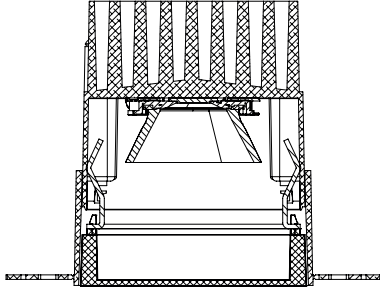
Installation Instructions

Downlight

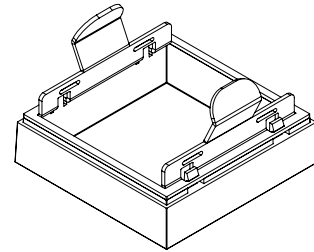
Round and Square
Standard Lens/Cover
Recessed Bezel Trim

The PTD3 Downlight may be outfitted with any of the following round and square lenses/covers:

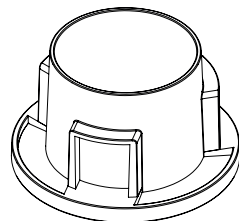
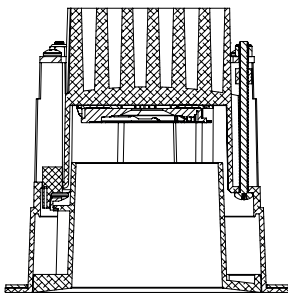
Page 7



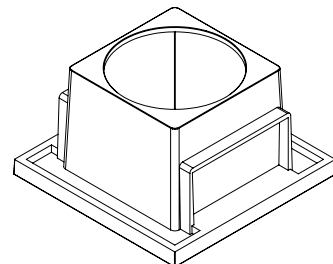
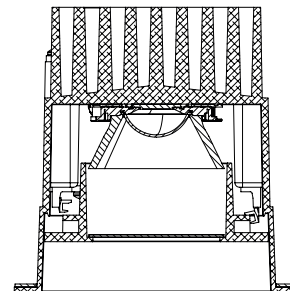
Round Flush Diffuser
(RFD)



Square Flush Diffuser
(SFD)



Round Flush Pinhole
(RFPH)



Square Flush Pinhole
(SFPH)



3" ProTools

WG-75RPTDL-RBT
WG-75SPTDL-SBT

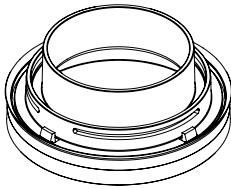
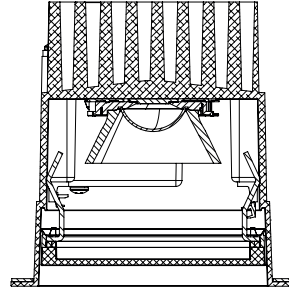
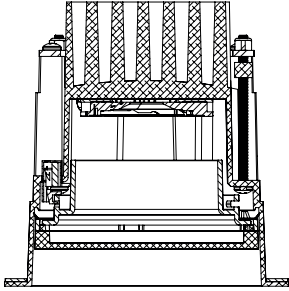
Installation Instructions

Downlight

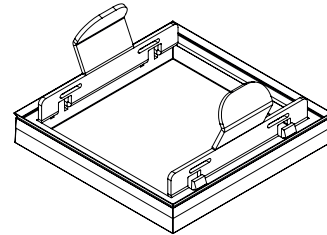
Round and Square
Standard Lens/Cover
Recessed Bezel Trim

The PTD3 Downlight may be outfitted with any of the following round and square lenses/covers:

Page 8



Round Micro Prismatic Opal
(RMPO)



Square Micro Prismatic Opal
(SMPO)

