

# 3" ProTools

WG-75RPTDL-RPT  
WG-75SPTDL-SPT

# Installation Instructions

# Downlight

Round and Square  
Standard Lens/Cover  
Recessed Plaster Trim

**IMPORTANT:** Fixture(s) must be wired in series! Refer to driver wiring document

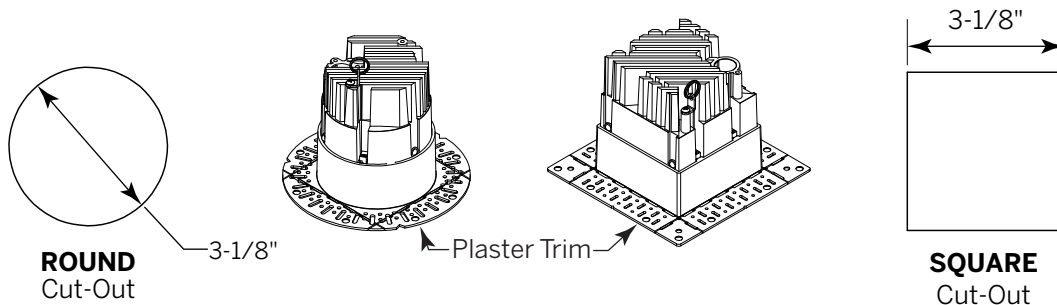
Luminaires must be installed by a qualified electrician. Check with local and national codes for proper installation.



To prevent electrical shock disconnect electrical supply before installation or servicing.

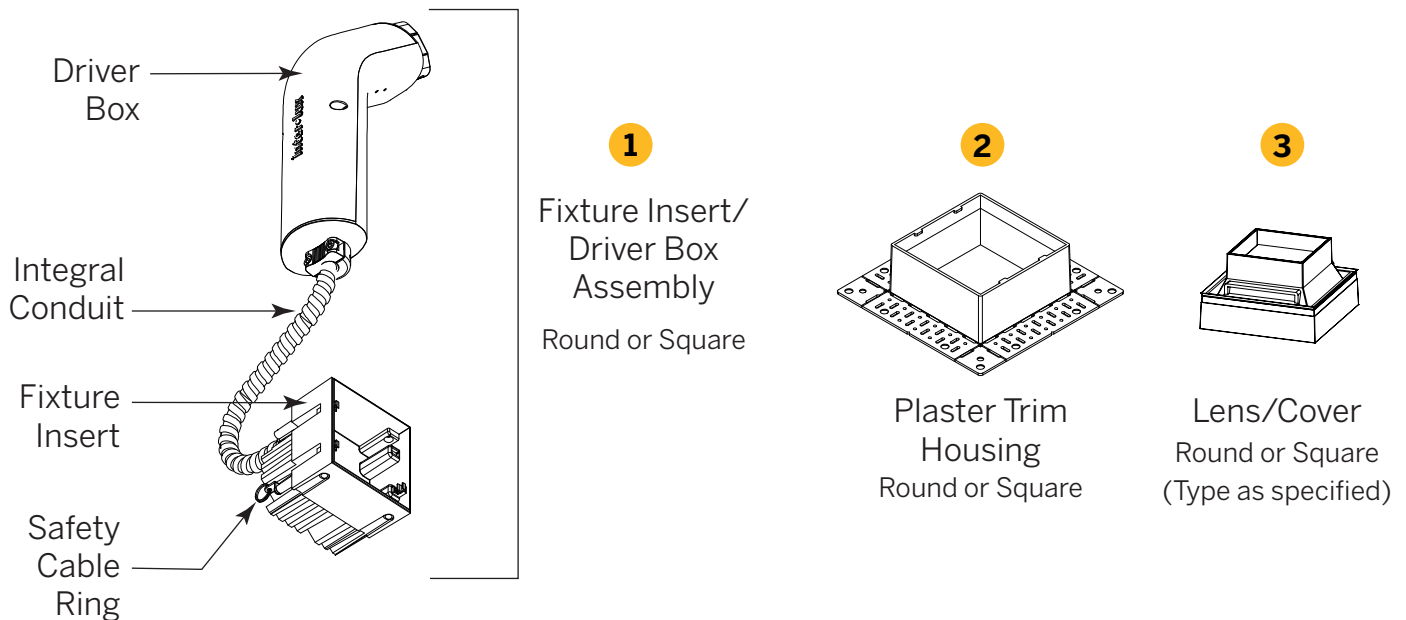
**Never connect a live fixture!!!**

Contractor is responsible for adequately reinforcing walls and/or ceilings to support fixture weight. Provide blocking when necessary.



## Step 1 - Confirm Power Supply is Off!

Unpack luminaire unit. Unit ships in **three** major parts: Fixture Insert/Driver Box Assembly, Plaster Trim Housing, and Lens/Cover unless Remote Driver version was supplied. Plenum-rated cable with bare leads is also provided. In this configuration, integral conduit and driver box are not included. However, a strain relief is added to where the low voltage wires exit. Remote drivers and housings are supplied by Inter-lux.



**NOTE:** Safety Cable not supplied with fixture

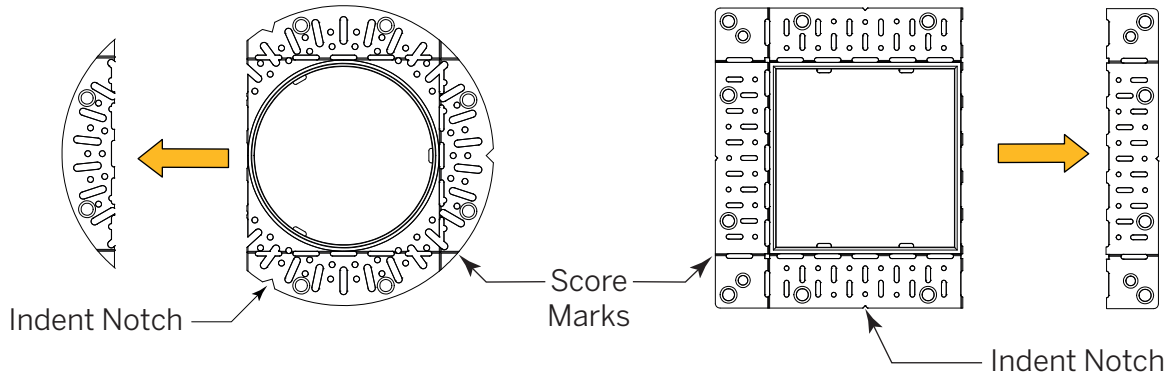
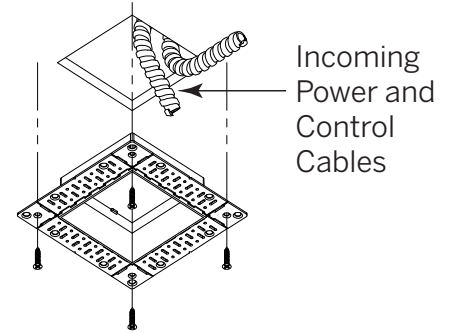
Need Help?

## Step 2 - Ceiling Preparation

Cut appropriate size opening in the ceiling as shown above. Clear any insulation at least 3" from any part of the fixture or driver enclosure.

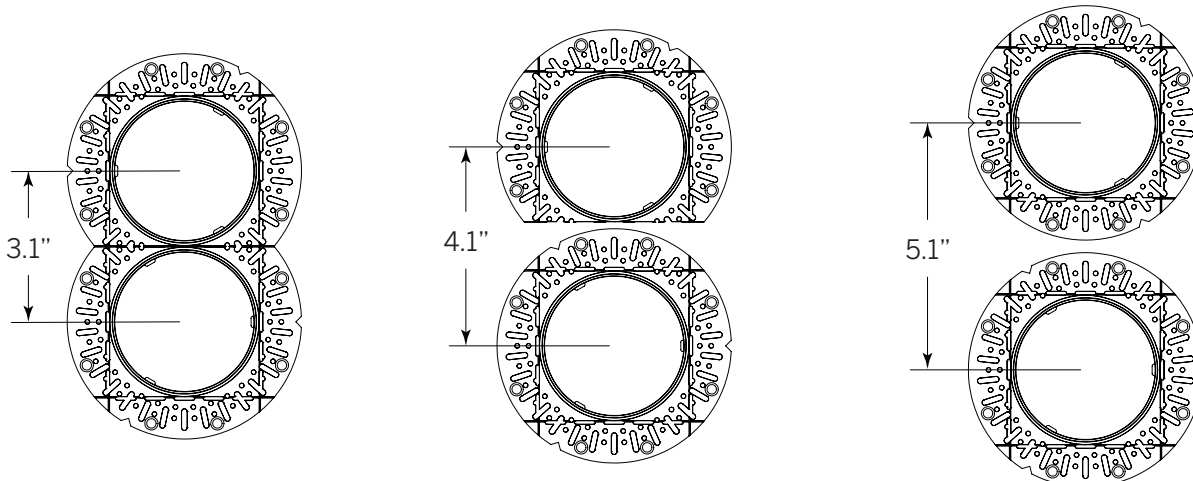
## Step 3 - Insert Housing

- a** Screw housing into ceiling blocking or structure.
- b** Pull power and control cables out through housing.
- \*** For multiple luminaire configuration, see below:



Plaster Trim may be broken on vertical and horizontal score marks to enable tighter arrangements.

Indent notches around perimeter may be used to calculate center marking distances



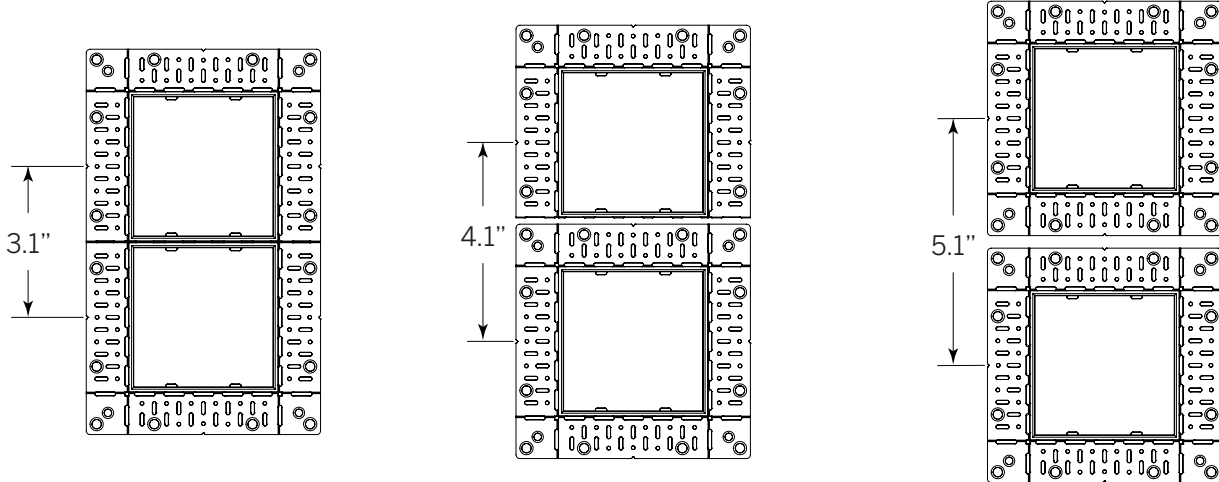
# 3" ProTools

WG-75RPTDL-RPT  
WG-75SPTDL-SPT

# Installation Instructions

# Downlight

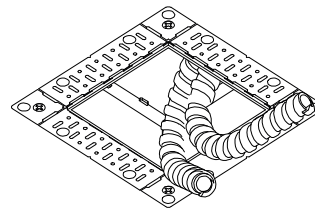
Round and Square  
Standard Lens/Cover  
Recessed Plaster Trim



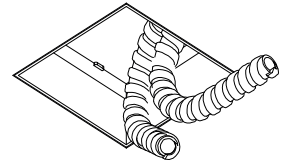
## Step 4 - Apply Joint Compound

Apply joint compound onto plaster trim frame using tape-and-joint technique. Joint compound should be flush with inside edge of housing. Clean excess while still wet.

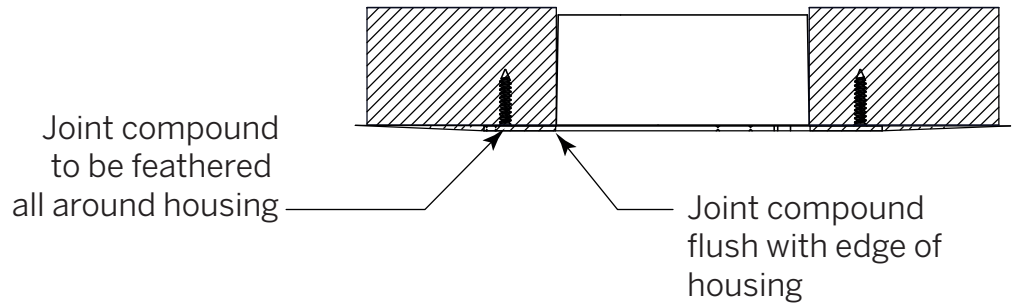
**NOTE:** Illustrations show conduit exiting from ceiling. This may not be the case in your installation.



**Before**  
Joint Compound

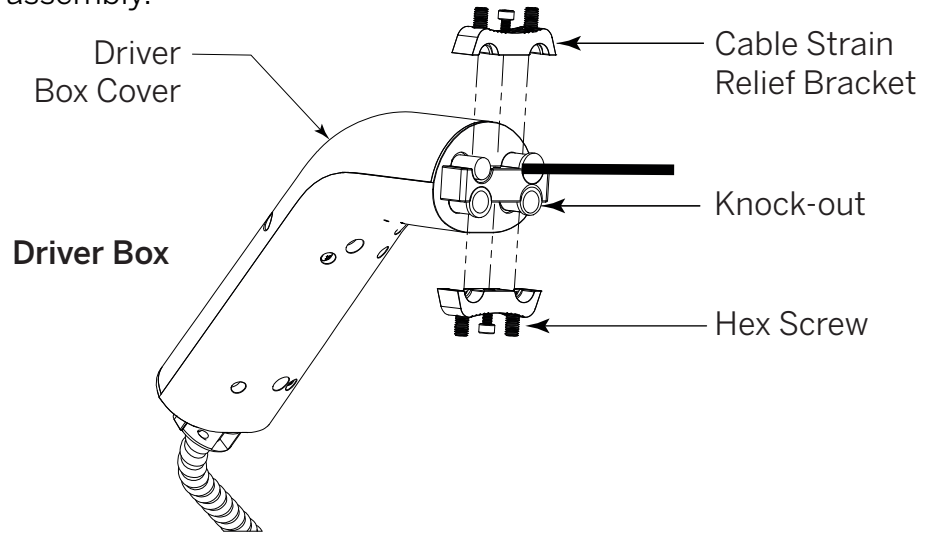


**After**  
Joint Compound

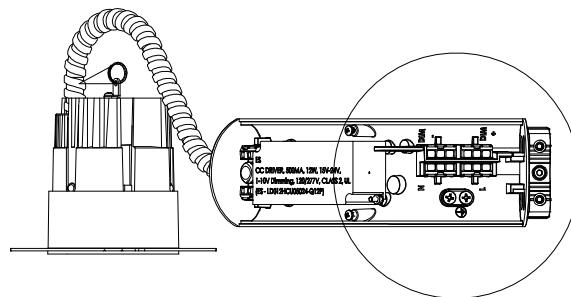


## Step 5 - Wiring

- a** Locate Fixture Insert/Driver Box assembly.
- b** Remove Driver Box Cover. Loosen Cable Strain Relief Bracket(s) and Hex Screws. Remove (unscrew) Knock-outs as necessary.



- c** Connect the Power Feed Cable to the Black (L), White (N) and Green (Gnd) Terminals. Connect the Control Wires, if applicable.

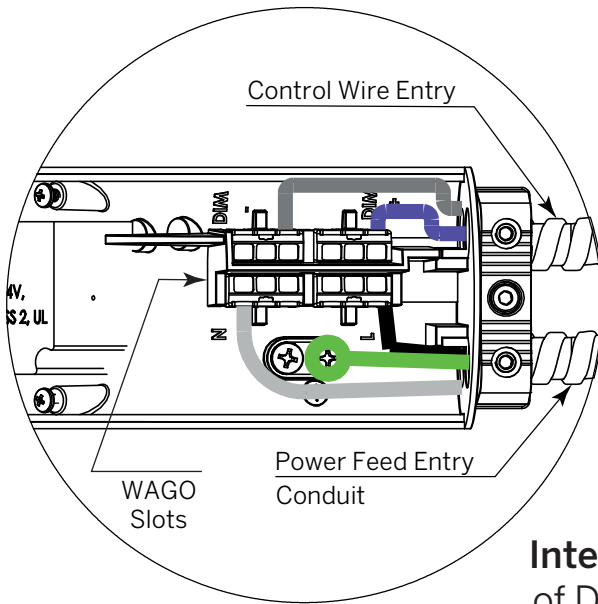


See next page for enlarged view

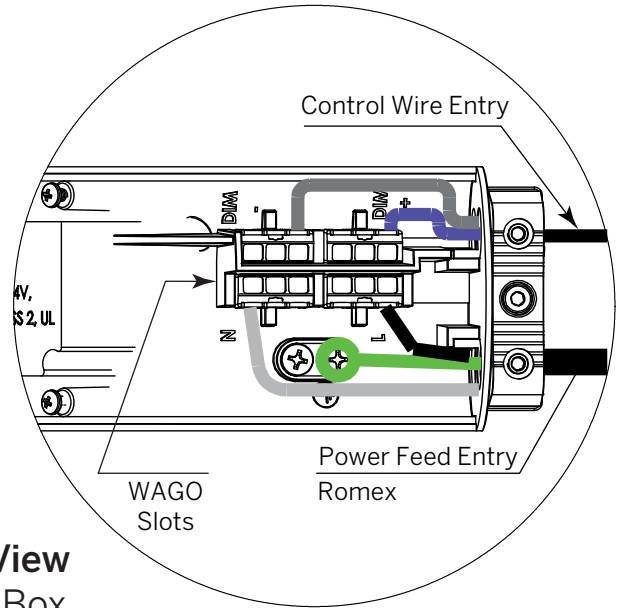
Need  
Help?

## Step 5 - Wiring (continued)

### Driver Box Connected to Conduit



### Driver Box Connected to Romex



### Interior View of Driver Box

To connect to driver box,  
incoming conduit  
must be Trade Size 3/8

However, this size conduit  
**cannot** enter driver box.  
It is held in place by Cable Strain  
Relief Bracket only.

If Romex is used, fasten  
set screws to secure  
in addition to closing strain  
relief bracket.

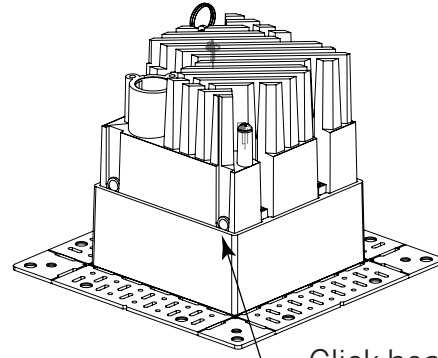
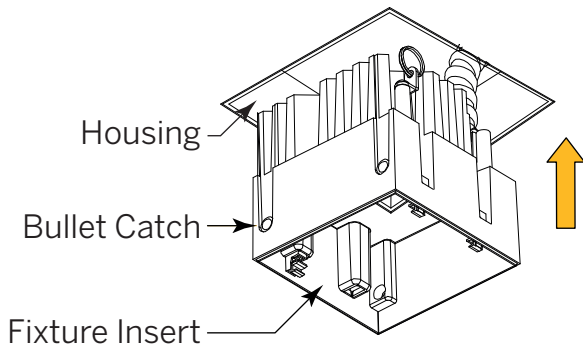
Use 7/64" allen key to fix set screws.

Refer to Driver Wiring Instructions  
for other control protocols



## Step 6 - Mounting Fixture Insert inside Housing

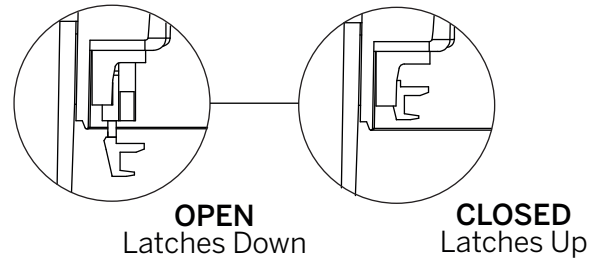
- a** Place Driver Box and Integral Conduit inside ceiling hole
- b** Push Fixture Insert into Housing in ceiling. A click will be heard when Insert is properly seated.  
**IMPORTANT:** Be careful not to damage LED or Optic during installation process.



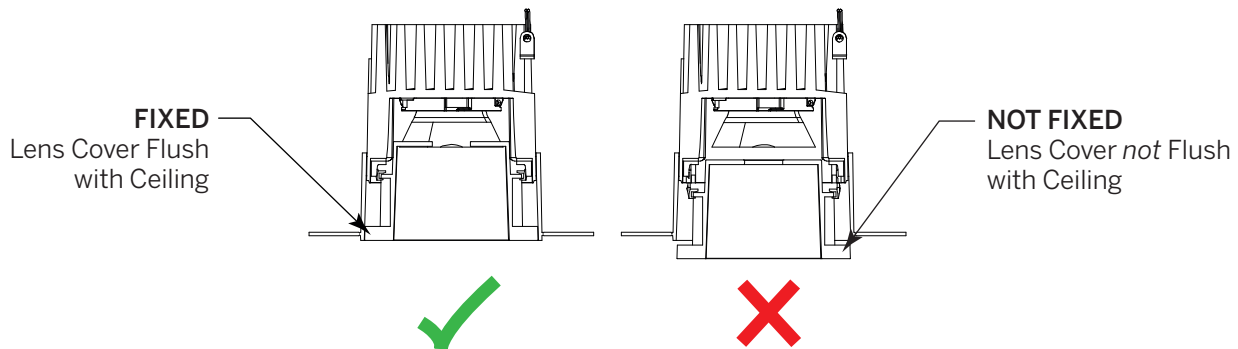
Click heard when all (4) Bullet Catches move past top edge of Housing

## Step 7 - Latching Lens/Cover inside Fixture Insert

- a** Check to ensure **all** push latches are **OPEN** before inserting

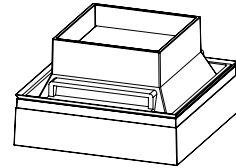
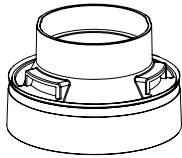
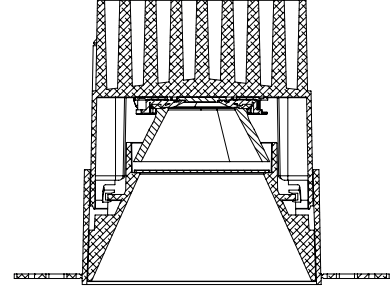
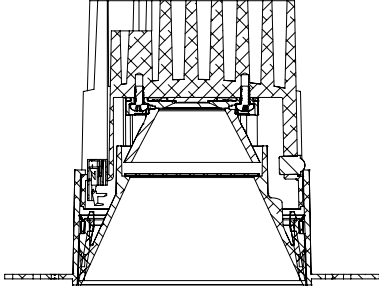


- b** Follow insert with Lens/Cover. Ensure cover is fixed in place.



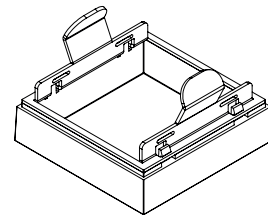
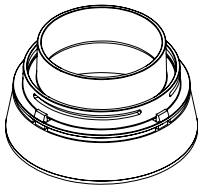
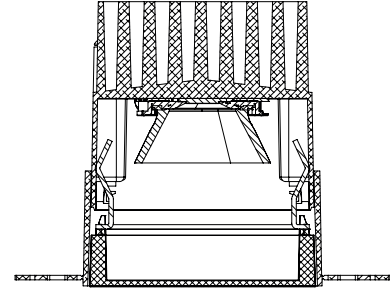
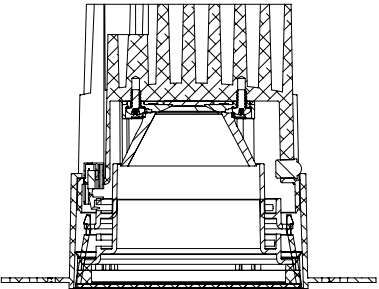
Need Help?

The PTD3 Downlight may be outfitted with any of the following round and square lenses/covers:



Round Recessed Cone  
(RRC)

Square Recessed Cone  
(SRC)



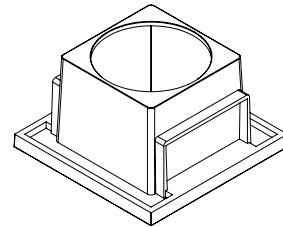
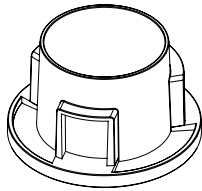
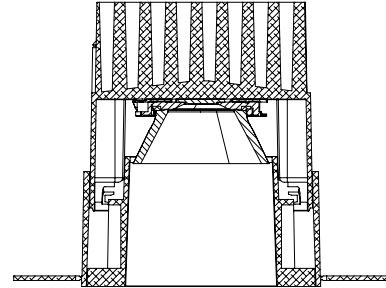
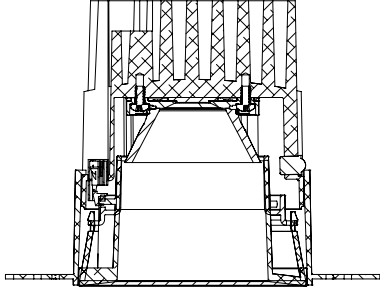
Round Flush Diffuser  
(RFD)

Square Flush Diffuser  
(SFD)



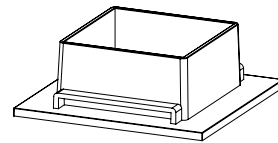
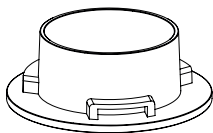
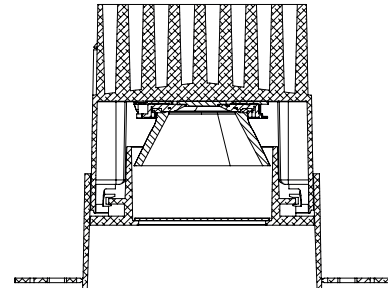
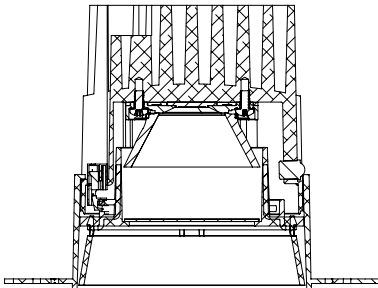
# Installation Instructions

The PTD3 Downlight may be outfitted with any of the following round and square lenses/covers:



Round Flush Pinhole  
(RFPH)

Square Flush Pinhole  
(SFPH)



Round Regressed Pinhole  
(RRPH)

Square Regressed Pinhole  
(SRPH)





# 3" ProTools

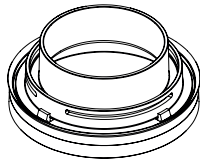
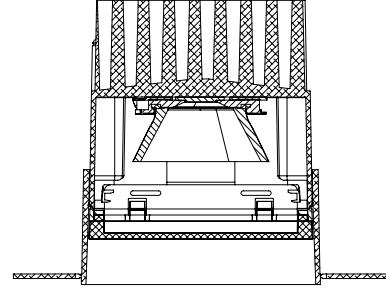
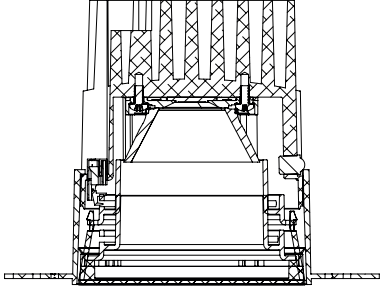
WG-75RPTDL-RBT  
WG-75SPTDL-SBT

# Installation Instructions

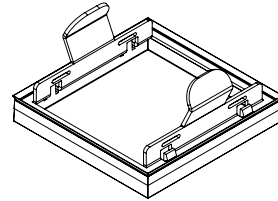
# Downlight

Round and Square  
Standard Lens/Cover  
Recessed Bezel Trim

The PTD3 Downlight may be outfitted with any of the following round and square lenses/covers:



Round Micro Prismatic Opal  
(RMPO)



Square Micro Prismatic Opal  
(SMPO)

