

3" ProTools

WG-75RPTDLR-RBT
WG-75SPTDLR-SBT

Installation Instructions

Downlight

Round and Square
Regressed Lens
Recessed Bezel Trim

IMPORTANT: Fixture(s) must be wired in series! Refer to driver wiring document

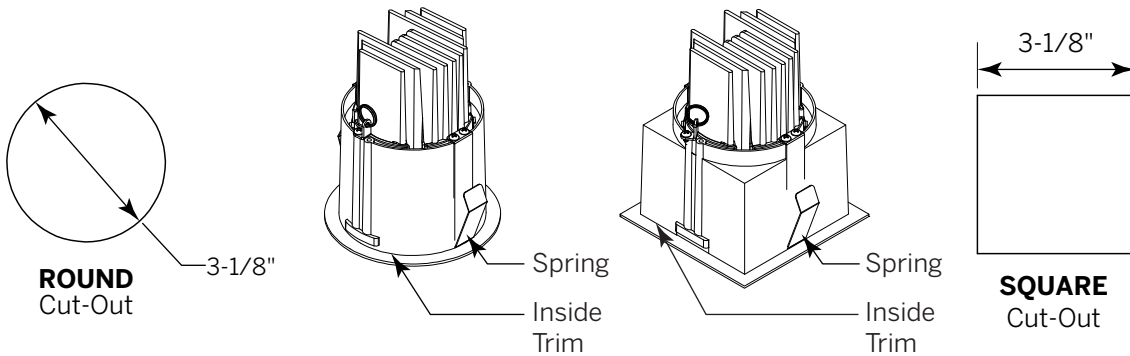
Luminaires must be installed by a qualified electrician. Check with local and national codes for proper installation.



To prevent electrical shock disconnect electrical supply before installation or servicing.

Never connect a live fixture!!!

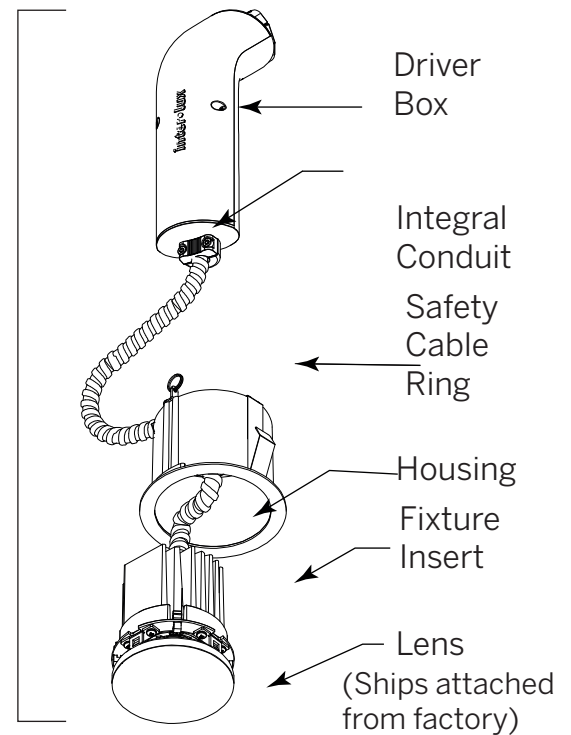
Contractor is responsible for adequately reinforcing walls and/or ceilings to support fixture weight. Provide blocking when necessary.



Step 1 - Confirm Power Supply is Off!

Unpack luminaire unit. Unit ships in **one** major part: Fixture Insert/Driver Box Assembly. This assembly **includes** the Housing and Lens Cover, which is pre-attached to the fixture insert. If Remote Driver version is supplied, then plenum-rated cable with bare leads is provided. In this configuration, integral conduit and driver box are not included. However, a strain relief is added to where the low voltage wires exit. Remote drivers and housings are supplied by Inter-lux.

1
Fixture Insert/
Driver Box
Assembly
Round or Square

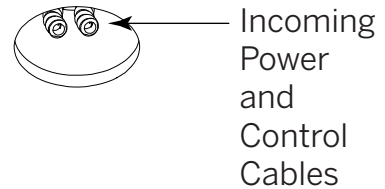


NOTE: Safety Cable not supplied with fixture

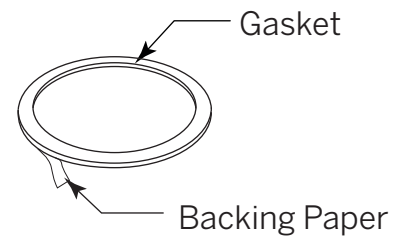
Need Help?

Step 2 - Ceiling Preparation

Cut appropriate size opening in the ceiling as shown below. Clear any insulation at least 3" from any part of the fixture or driver enclosure.



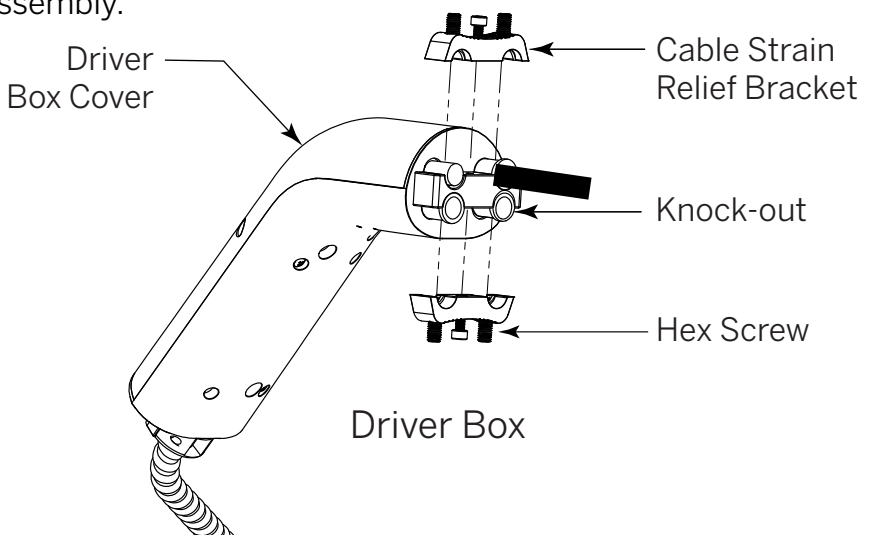
NOTE: Before Installation in dry location, remove supplied Gasket. For wet location, remove backing paper from the Gasket, expose adhesive and apply Gasket to inside trim.



Step 3 - Wiring

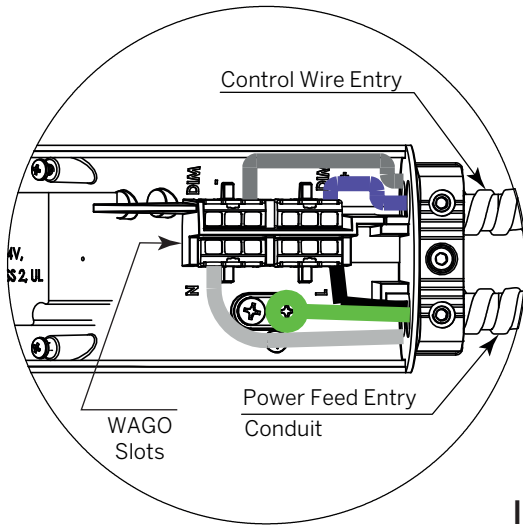
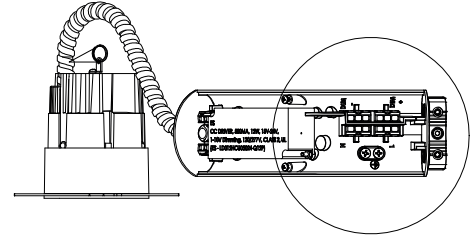
- a** Locate Fixture Insert/Driver Box assembly.
- b** Remove Driver Box Cover. Loosen Cable Strain Relief Bracket(s) and Hex Screws. Remove (unscrew) Knock-outs as necessary.

NOTE: Illustrations show conduits exiting from ceiling. This may not be the case in your installation.



Step 4 - Wiring (continued)

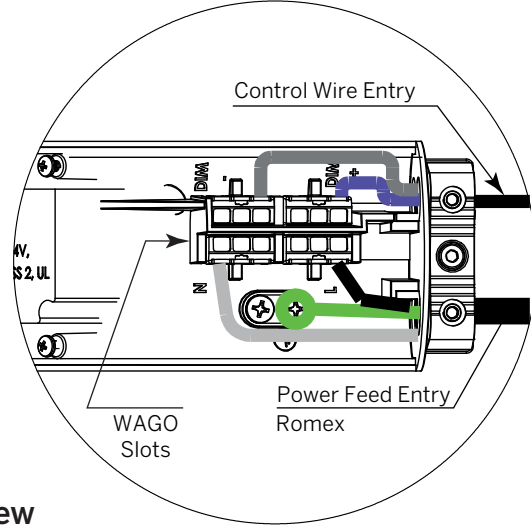
Connect the Power Feed Cable to the Black (L), White (N) and Green (Gnd) Terminals. Connect the Control Wires, if applicable.



Interior View
of Driver Box

Driver Box Connected to Conduit

To connect to driver box, incoming conduit must be Trade Size 3/8. However, this size conduit **cannot** enter driver box. It is held in place by Cable Strain Relief Bracket only.



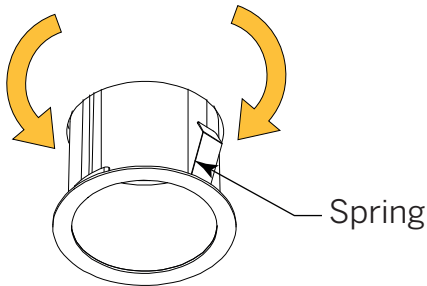
Driver Box Connected to Romex

If Romex is used, fasten set screws to secure in addition to closing strain relief bracket. Use 7/64" allen key to fix set screws. Refer to Driver Wiring Instructions for other control protocols



Step 5 - Mounting Fixture

Take hold of Housing and compress Springs. As Springs pass through hole, they will spring back and secure housing.



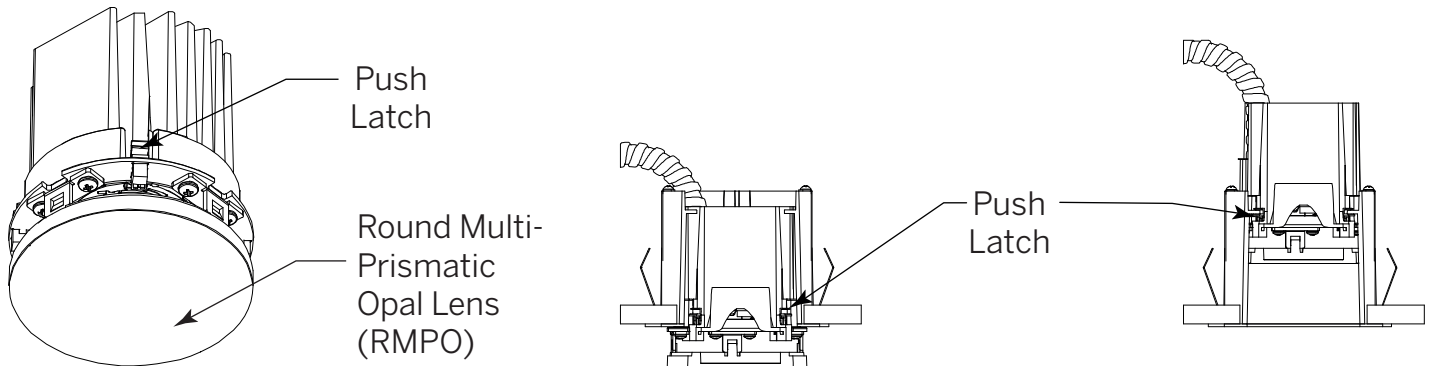
Ceiling Thickness

Minimum: 0.05"
Maximum: 1.00"

Step 5 - Latching Fixture Insert inside of Housing

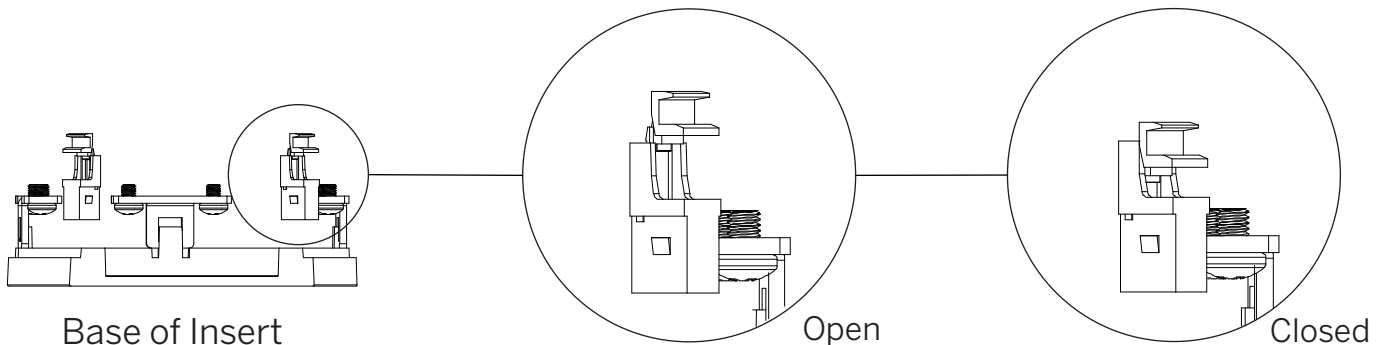
- a Push Driver Box and Integral Conduit into ceiling hole.

IMPORTANT: Be careful not to damage LED or Optic during installation process.



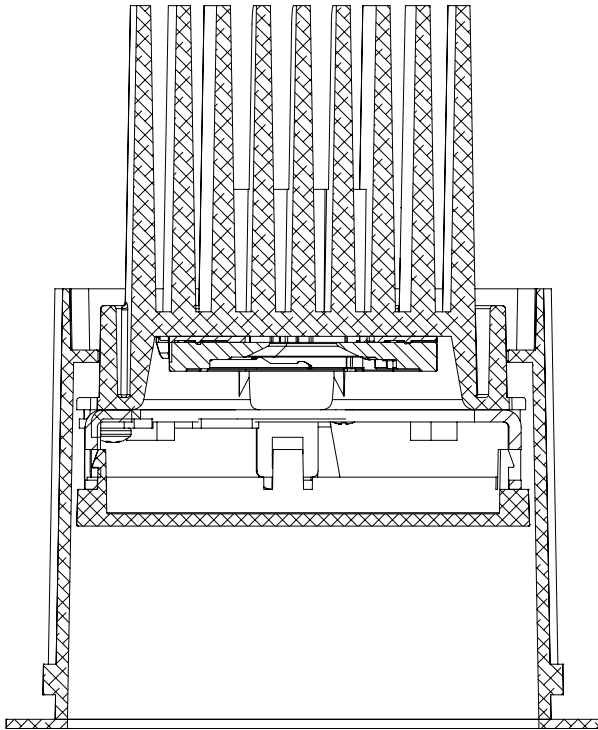
- b Check to make sure that **all** Push Latches are **open** before inserting

- c Push insert into Housing until hearing a click

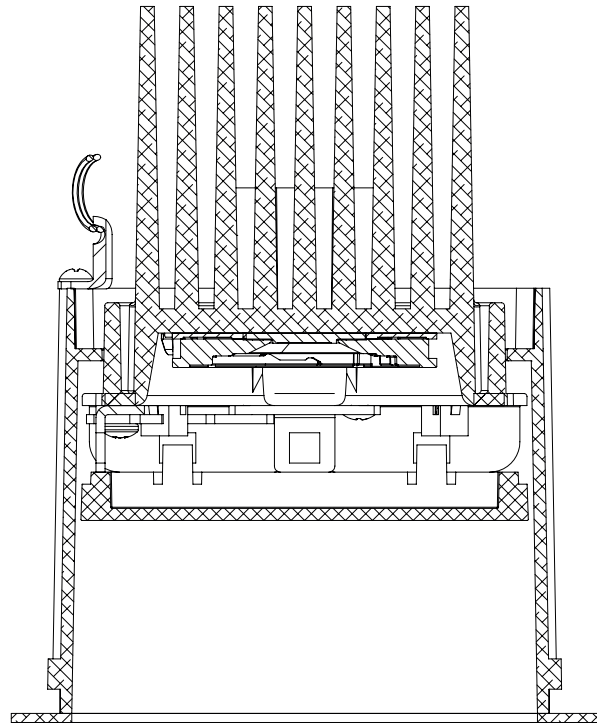


Need
Help?

Correct Seating for Round and Square Multi-Prismatic Opal Lenses



Round Multi-Prismatic
Opal Lens
(RMPO)



Square Multi-Prismatic
Opal Lens
(SMPO)

