

3" ProTools

WG-75RPTDLR-RPT
WG-75SPTDLR-SPT

Installation Instructions

Downlight

Round and Square
Regressed Lens
Recessed Plaster Trim

IMPORTANT: Fixture(s) must be wired in series! Refer to driver wiring document

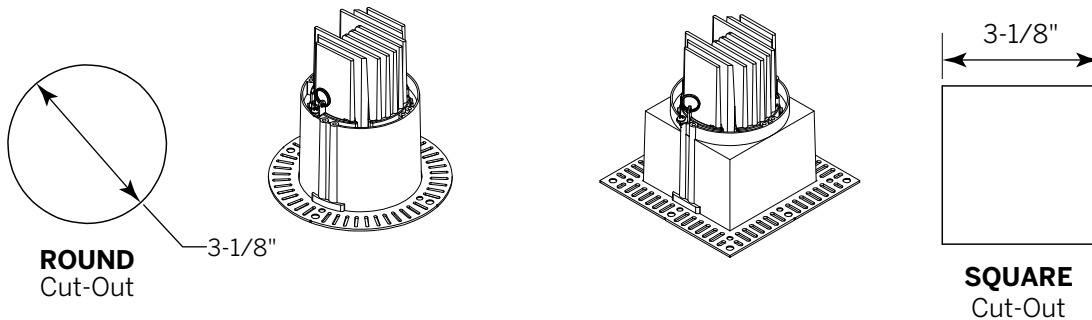
Luminaires must be installed by a qualified electrician. Check with local and national codes for proper installation.



To prevent electrical shock disconnect electrical supply before installation or servicing.

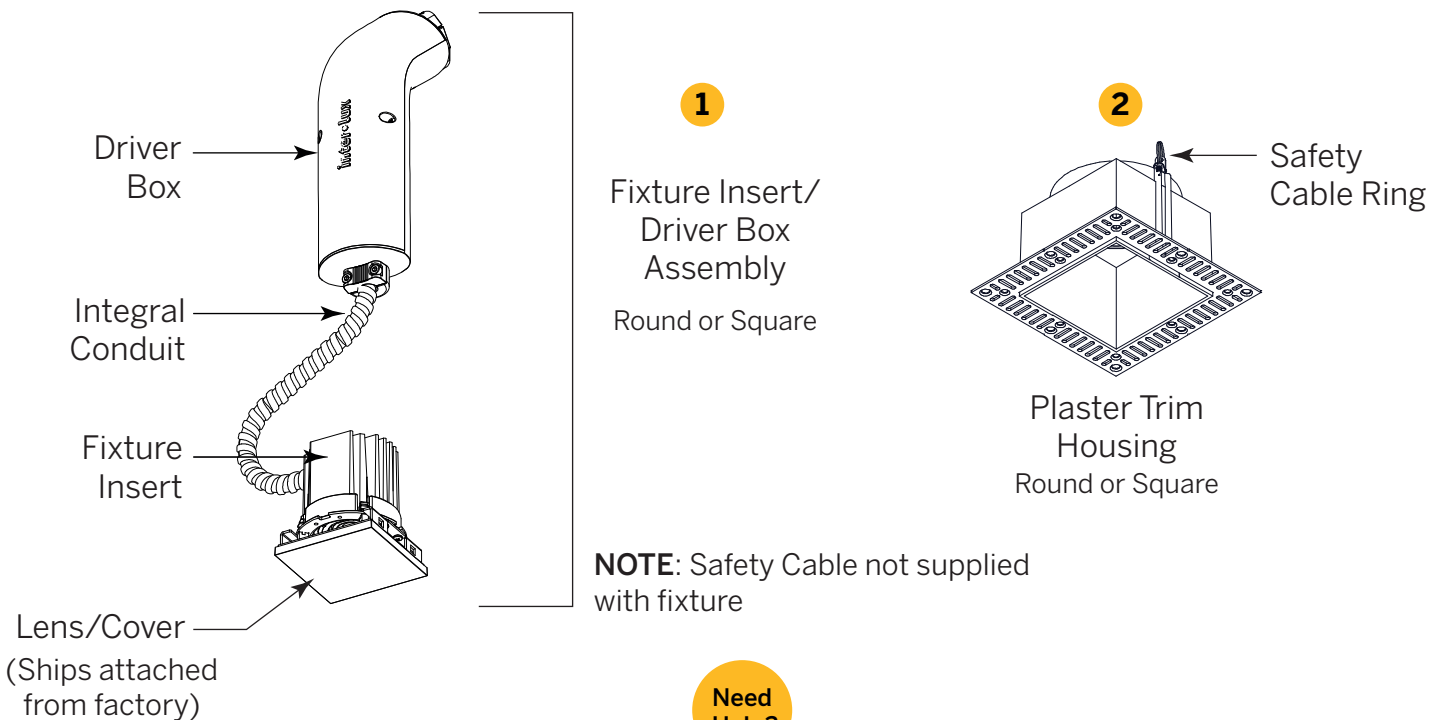
Never connect a live fixture!!!

Contractor is responsible for adequately reinforcing walls and/or ceilings to support fixture weight. Provide blocking when necessary.



Step 1 - Confirm Power Supply is Off!

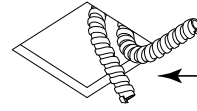
Unpack luminaire unit. Unit ships in **two** major parts: Fixture Insert/Driver Box Assembly and Plaster Trim Housing unless Remote Driver version was supplied, then Plenum-rated cable with bare leads is also provided. In this configuration, integral conduit and driver box are not included. However, a strain relief is added to where the low voltage wires exit. Remote drivers and housings are supplied by Inter-lux.



Need Help?

Step 2 - Ceiling Preparation

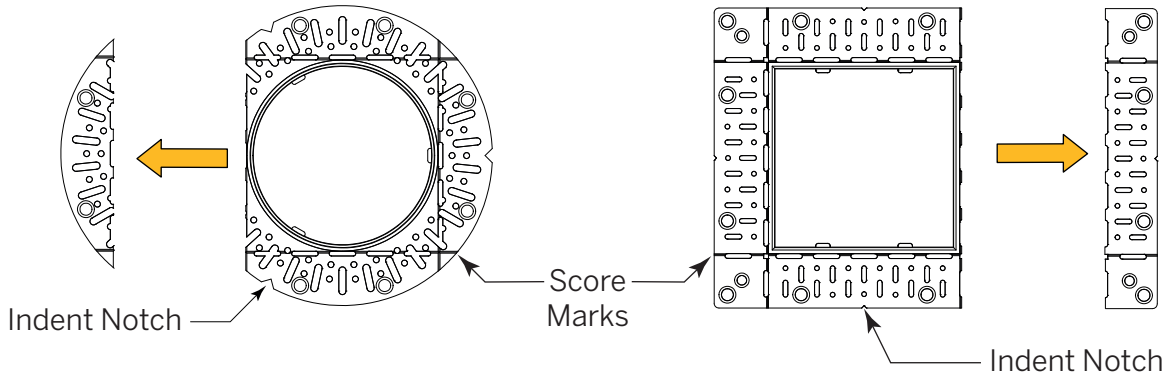
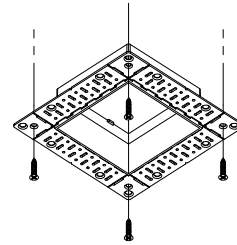
Cut appropriate size opening in the ceiling as shown above. Clear any insulation at least 3" from any part of the fixture or driver enclosure.



Incoming Power and Control Cables

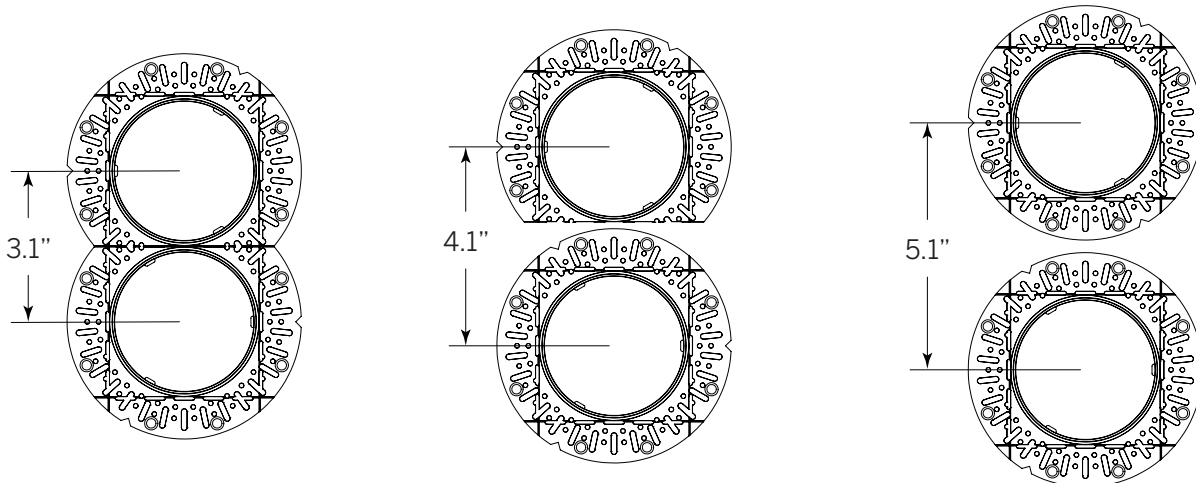
Step 3 - Insert Housing

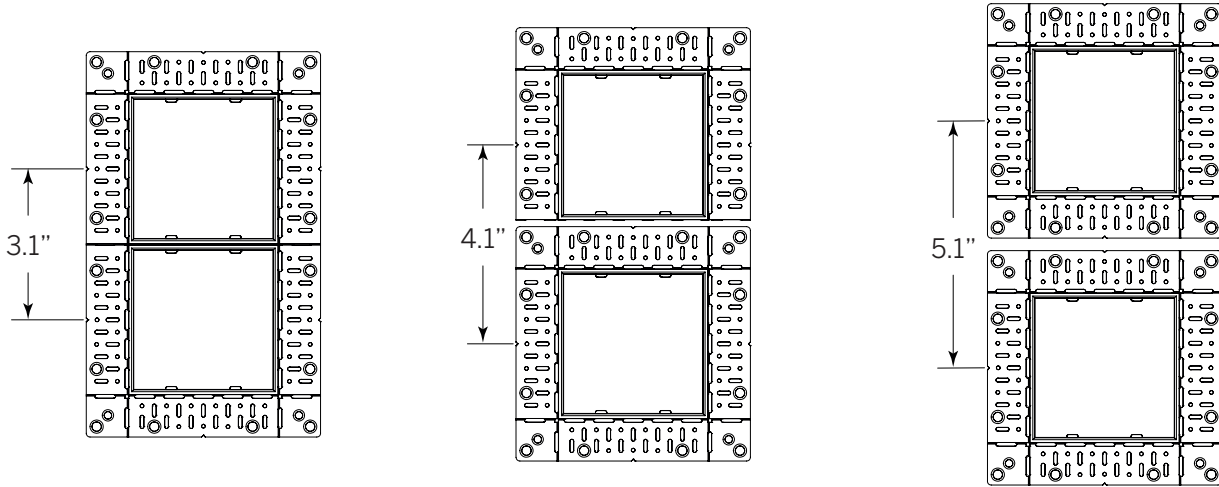
- a** Screw housing into ceiling blocking or structure.
- b** Pull power and control cables out through housing.
- *** For multiple luminaire configuration, see below:



Plaster Trim may be broken on vertical and horizontal score marks to enable tighter arrangements.

Indent notches around perimeter may be used to calculate center marking distances

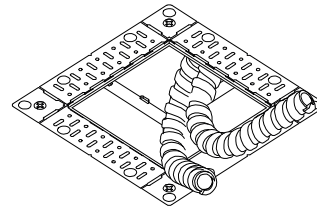




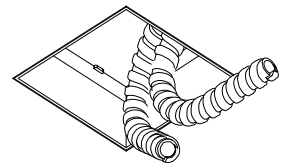
Step 4 - Apply Joint Compound

Apply joint compound onto plaster trim frame using tape-and-joint technique. Joint compound should be flush with inside edge of housing. Clean excess while still wet.

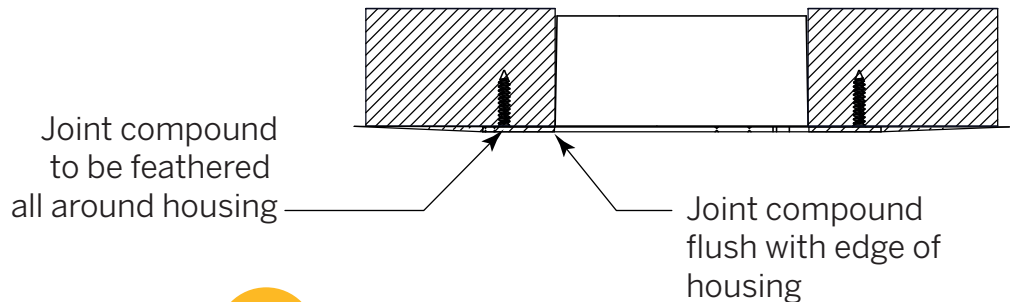
NOTE: Illustrations show conduit exiting from ceiling. This may not be the case in your installation.



Before
Joint Compound

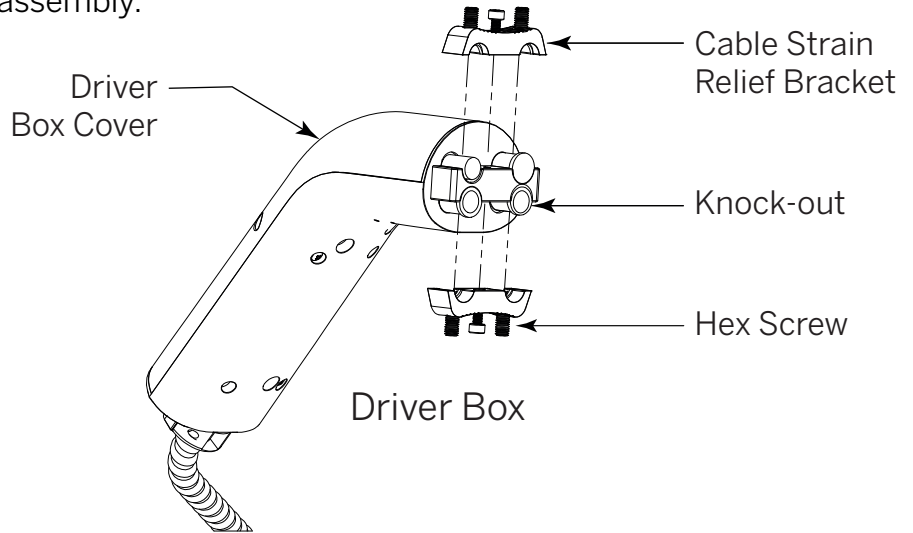


After
Joint Compound

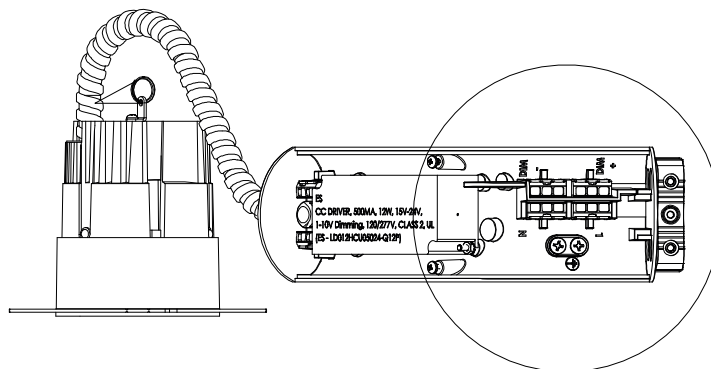


Step 5 - Wiring

- a** Locate Fixture Insert/Driver Box assembly.
- b** Remove Driver Box Cover. Loosen Cable Strain Relief Bracket(s) and Hex Screws. Remove (unscrew) Knock-outs as necessary.



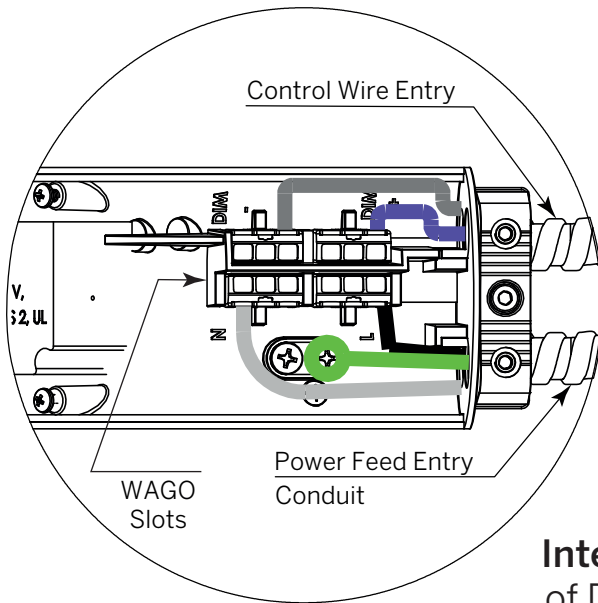
- c** Connect the Power Feed Cable to the Black (L), White (N) and Green (Gnd) Terminals. Connect the Control Wires, if applicable.



Need
Help?

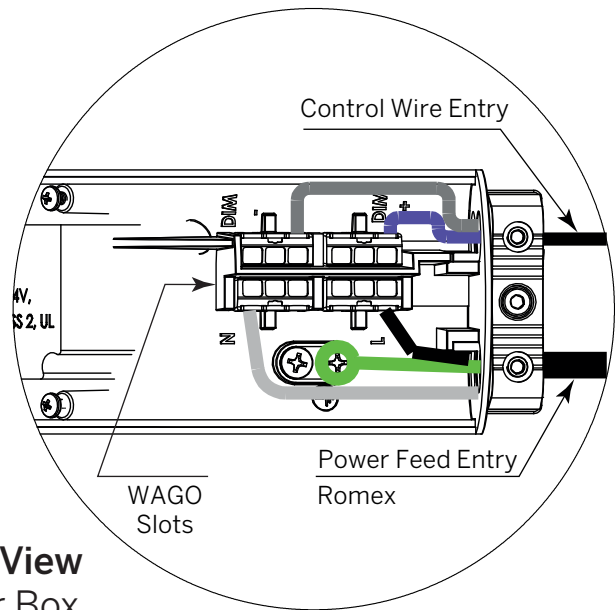
Step 5 - Wiring (continued)

Driver Box Connected to Conduit



To connect to driver box, incoming conduit must be Trade Size 3/8. However, this size conduit **cannot** enter driver box. It is held in place by Cable Strain Relief Bracket only.

Driver Box Connected to Romex



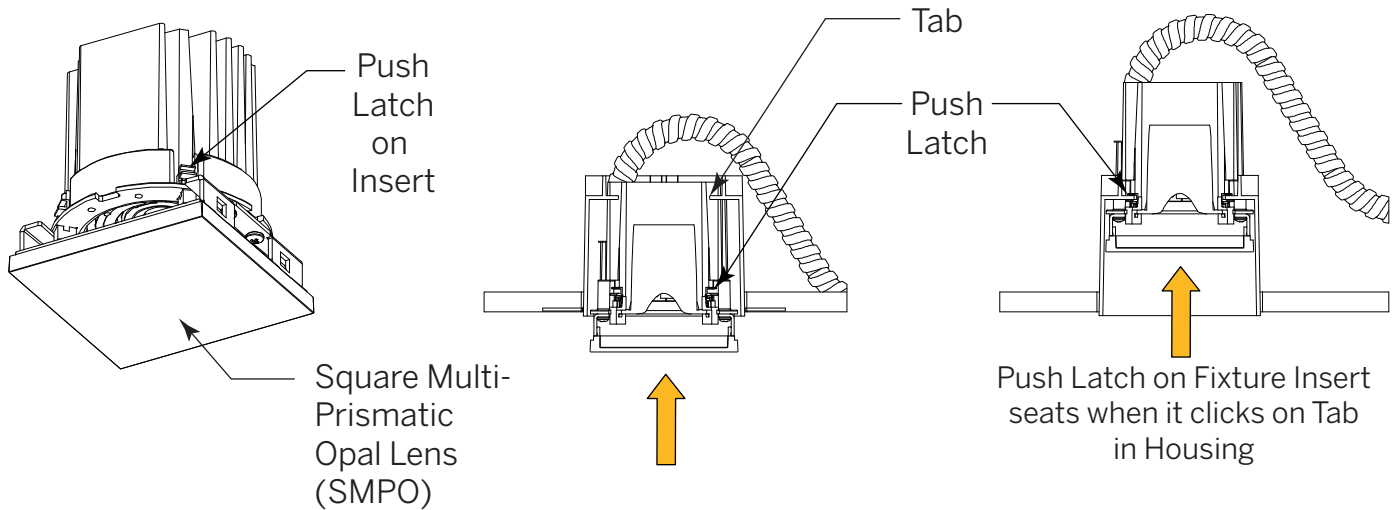
If Romex is used, fasten set screws to secure in addition to closing strain relief bracket. Use 7/64" allen key to fix set screws. Refer to Driver Wiring Instructions for other control protocols



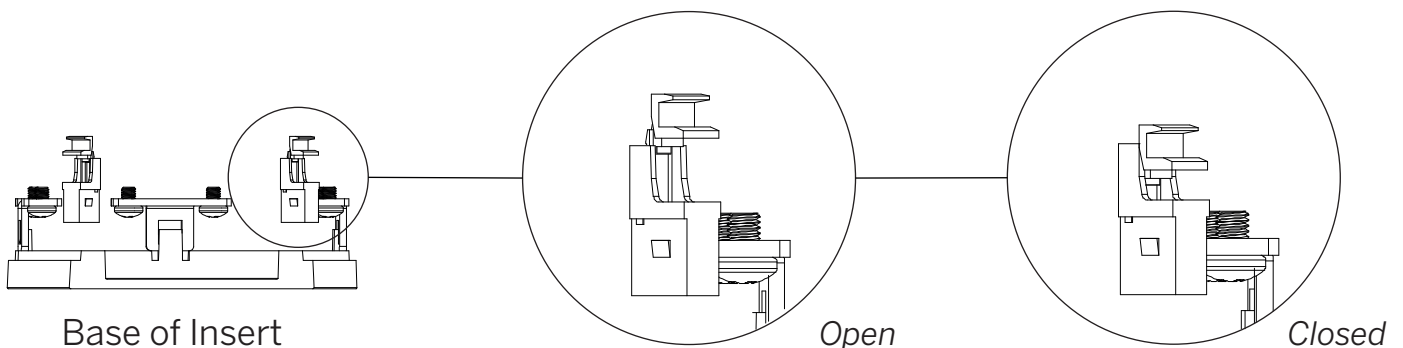
Step 6 - Latching Fixture Insert & Lens/Cover inside of Housing

- a** Place driver box and integral conduit into ceiling hole.
- b** Push Fixture Insert into Housing in ceiling. A click will be heard when Insert is properly seated.

IMPORTANT: Be careful not to damage LED or Optic during installation process.

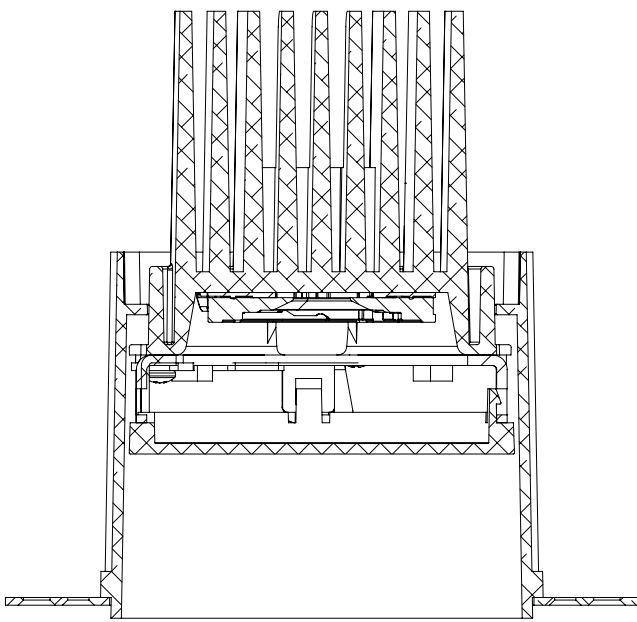


- c** Check to make sure that **all** push latches are **open** before inserting
- d** Push insert into housing until hearing a click

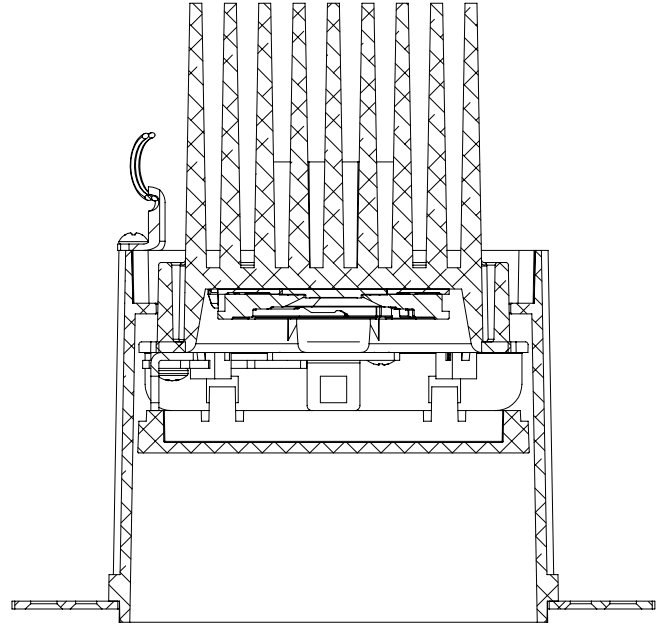


Need Help?

Correct Seating for Round and Square Multi-Prismatic Opal Lenses



Round Multi-Prismatic
Opal Lens
(RMPO)



Square Multi-Prismatic
Opal Lens
(SMPO)

