

3" ProTools

WG-75RPTWW-RBT
WG-75SPTWW-SBT

Installation Instructions

Downlight

Round and Square
Wall Wash
Recessed Bezel Trim

IMPORTANT: Fixture(s) must be wired in series! Refer to driver wiring document

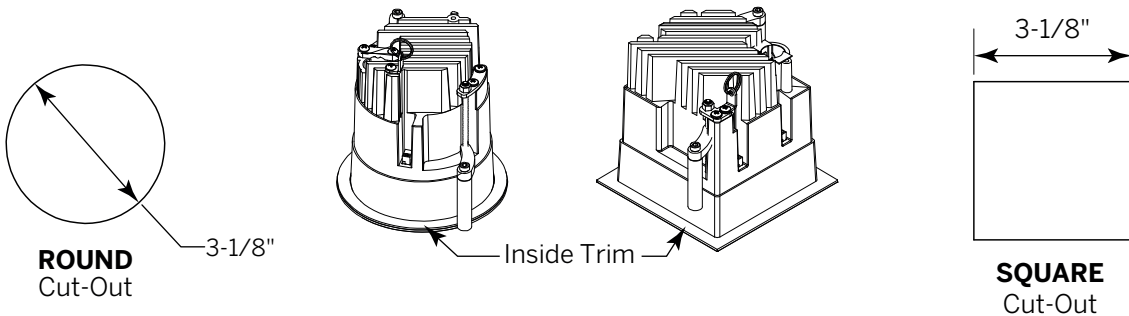
Luminaires must be installed by a qualified electrician. Check with local and national codes for proper installation.



To prevent electrical shock disconnect electrical supply before installation or servicing.

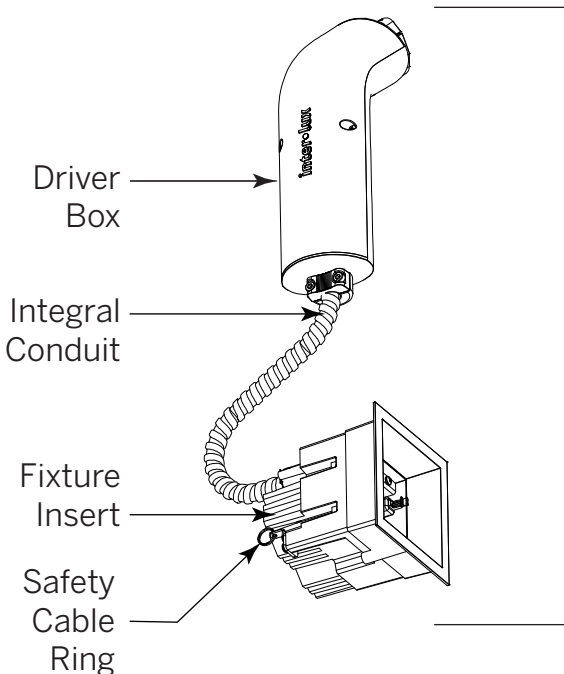
Never connect a live fixture!!!

Contractor is responsible for adequately reinforcing walls and/or ceilings to support fixture weight. Provide blocking when necessary.



Step 1 - Confirm Power Supply is Off!

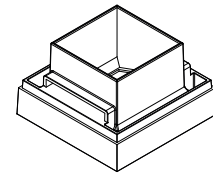
Unpack luminaire unit. Unit ships in **two** major parts: Fixture Insert/Driver Box Assembly and Lens Cover unless Remote Driver version was supplied, then Plenum-rated cable with bare leads is also provided. In this configuration, integral conduit and driver box are not included. However, a strain relief is added to where the low voltage wires exit. Remote drivers and housings are supplied by Inter-lux.



1

Fixture Insert/
Driver Box
Assembly
Round or Square

2



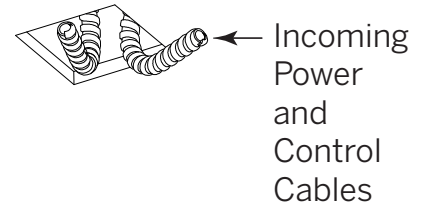
Lens/Cover
Round or Square

NOTE: Safety Cable not supplied with fixture

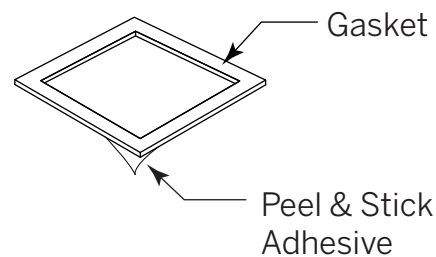
Need Help?

Step 2 - Ceiling Preparation

Cut appropriate size opening in the ceiling as shown below. Clear any insulation at least 3" from any part of the fixture or driver enclosure.



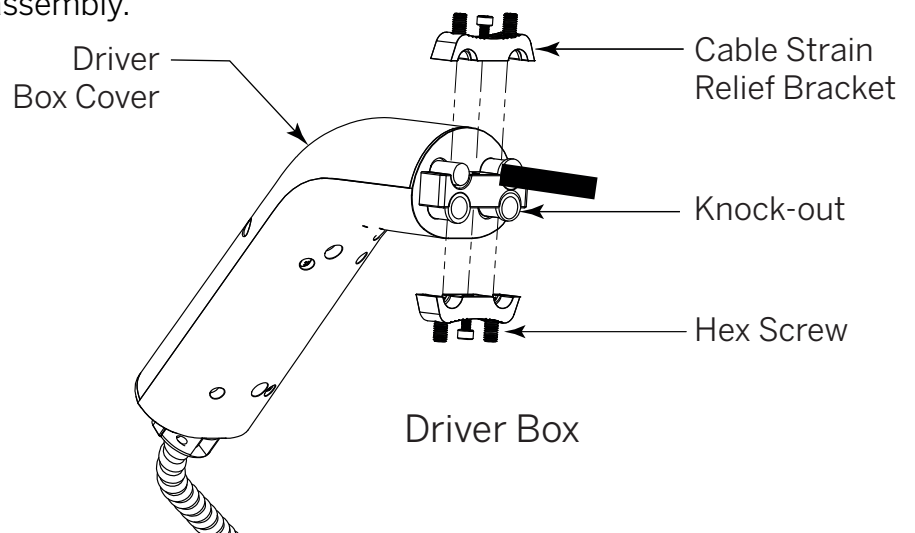
NOTE: Before Installation in dry location, remove supplied Gasket. For wet location, remove backing paper from the Gasket and adhere Gasket to inside trim.



Step 3 - Wiring

- a** Locate Fixture Insert/Driver Box assembly.
- b** Remove Driver Box Cover. Loosen Cable Strain Relief Bracket(s) and Hex Screws. Remove (unscrew) Knock-outs as necessary.

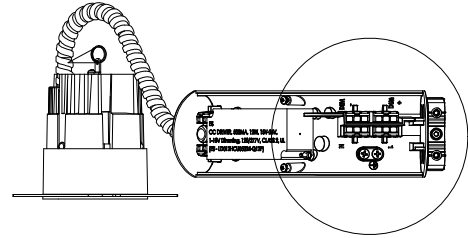
NOTE: Illustrations show conduit exiting from ceiling. This may not be the case in your installation.



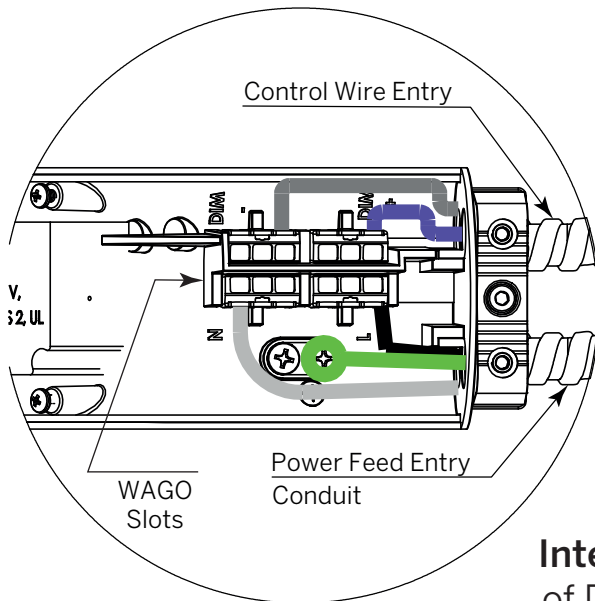
Need Help?

Step 3 - Wiring (continued)

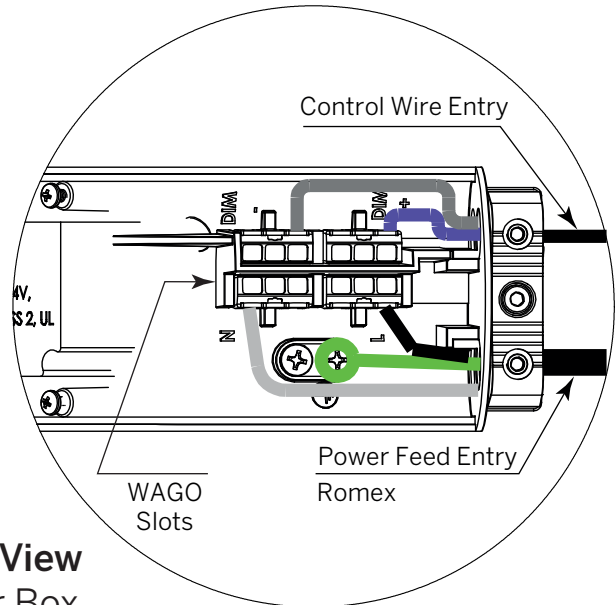
Connect the Power Feed Cable to the Black (L), White (N) and Green (Gnd) Terminals. Connect the Control Wires, if applicable.



Driver Box
Connected to
Conduit



Driver Box
Connected to
Romex



Interior View of Driver Box

To connect to driver box,
incoming conduit
must be Trade Size 3/8

However, this size conduit
cannot enter driver box.
It is held in place by Cable Strain
Relief Bracket only.

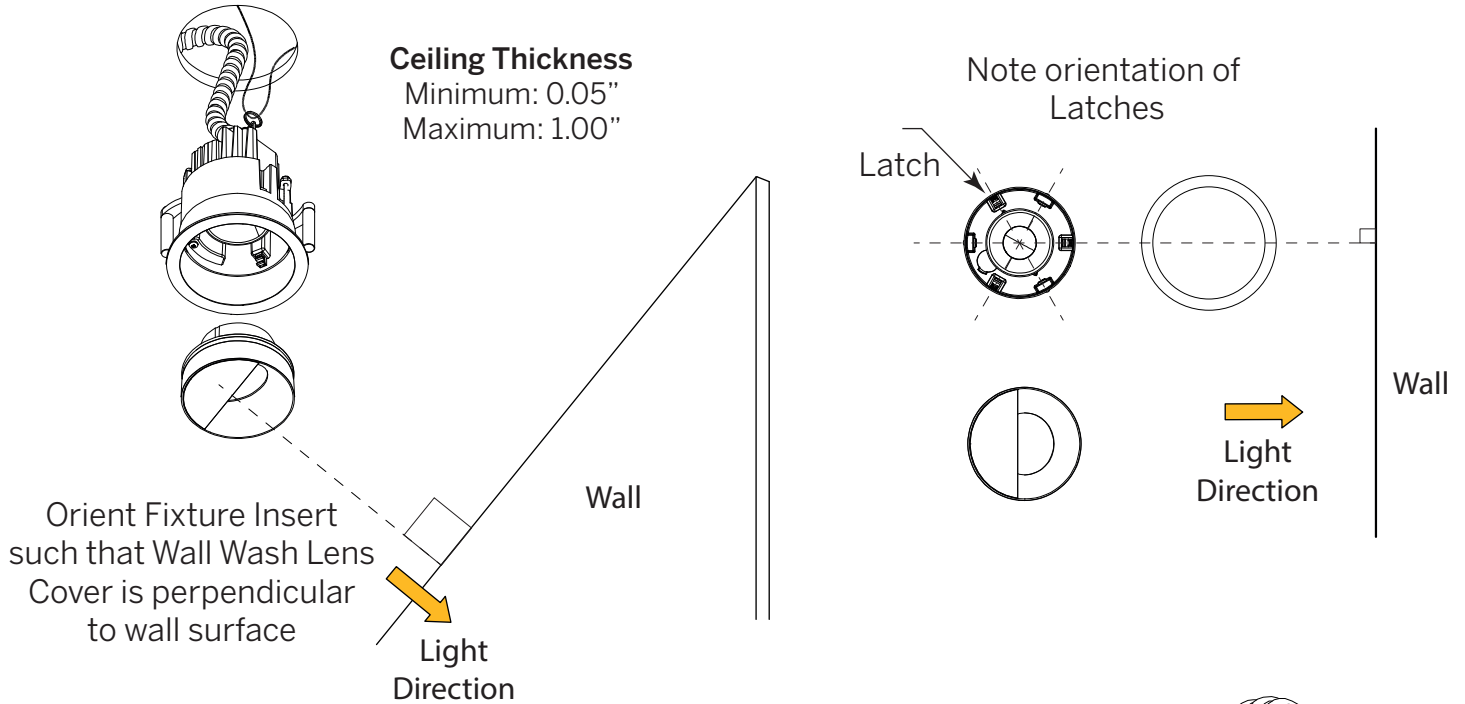
If Romex is used, fasten
set screws to secure
in addition to closing strain
relief bracket.

Use 7/64" allen key to fix set screws.

Refer to Driver Wiring Instructions
for other control protocols

Need
Help?

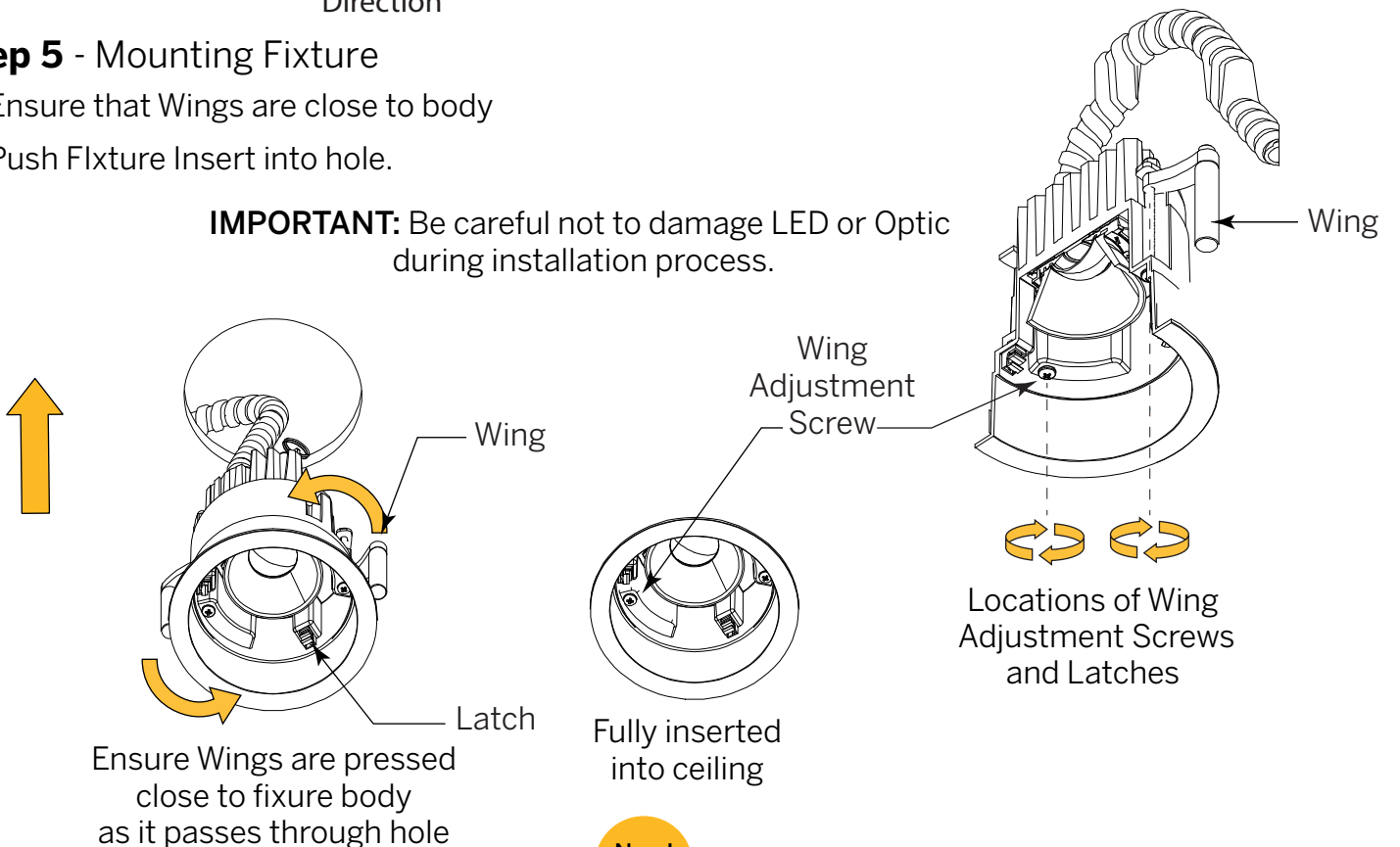
Step 4 - Fixture Orientation



Step 5 - Mounting Fixture

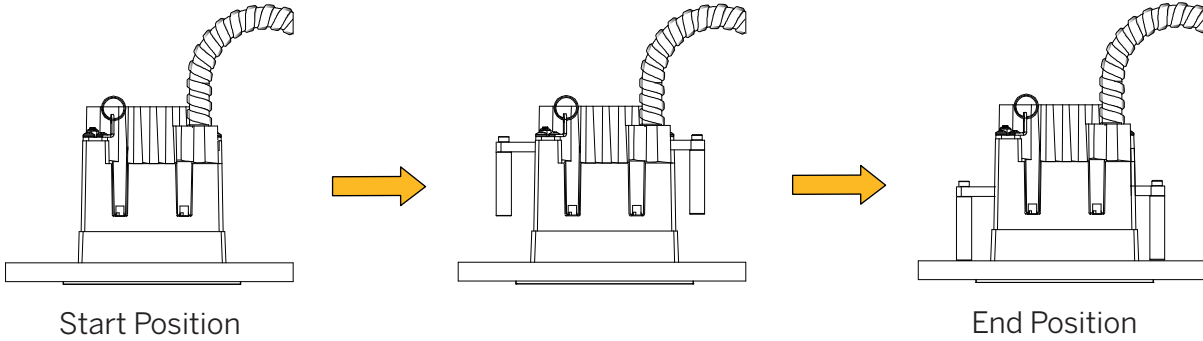
- a** Ensure that Wings are close to body
- b** Push Fixture Insert into hole.

IMPORTANT: Be careful not to damage LED or Optic during installation process.



Need Help?

Step 5 - Mounting Fixture (cont.)

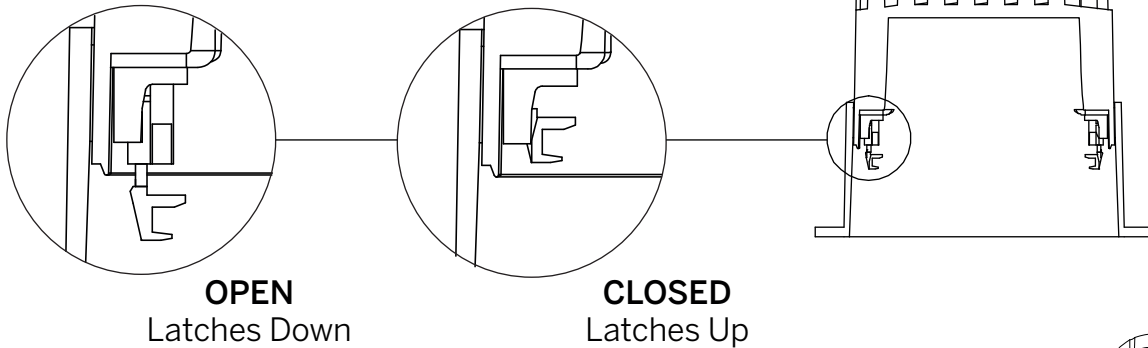


Turn Wing Adjustment Screws **clockwise** from below. Initial position shown at left. Wings are close to fixture body and raised to full height. As screws are turned, Wings swing out, lower, and clamp Fixture Insert to inside of ceiling, as shown at right.

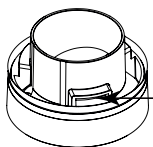
IMPORTANT: Be careful not to damage LED or Optic during installation process.

Step 6 - Latching Lens cover inside Fixture Insert

a Check to ensure **all** push latches are **OPEN** before inserting

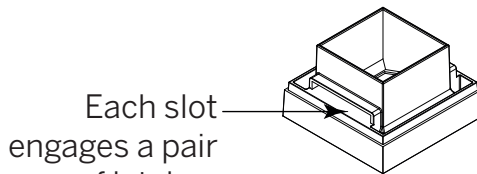


b Orient slots in Lens Cover with latch locations. Push Lens up into Fixture Insert until a click is heard. Release hand and Lens Cover will be locked in place.



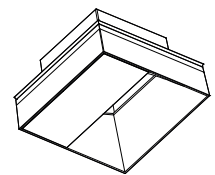
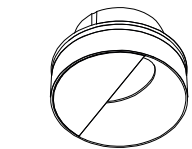
Each slot engages one of the latches

Round Wall Wash (RWW)



Each slot engages a pair of latches

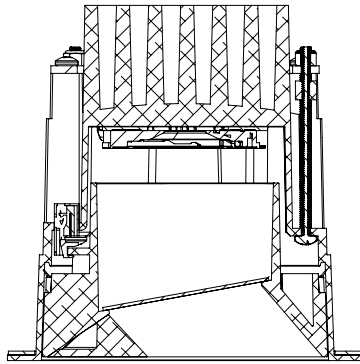
Square Wall Wash (SWW)



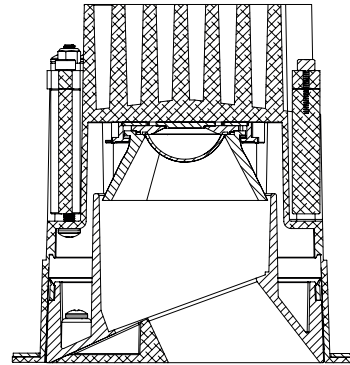
Bottom Views

Need Help?

Correct Seating for Round and Square Wall Wash Cover/Lenses



Round Wall Wash
(RWW)



Square Wall Wash
(SWW)

