

3" ProTools

WG-75RPTWW-RPT
WG-75SPTWW-SPT

Installation Instructions

Downlight

Round and Square
Wall Wash
Recessed Plaster Trim

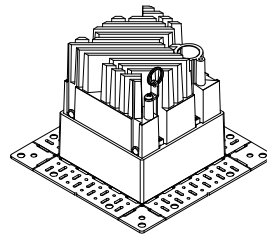
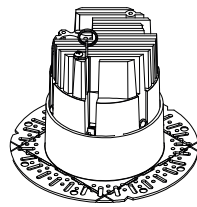
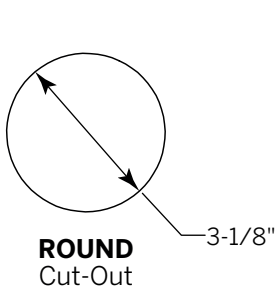
IMPORTANT: Fixture(s) must be wired in series! Refer to driver wiring document

Luminaires must be installed by a qualified electrician. Check with local and national codes for proper installation.



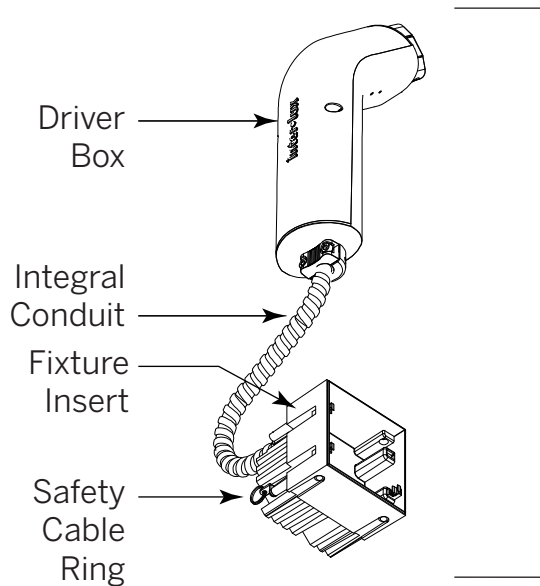
To prevent electrical shock disconnect electrical supply before installation or servicing.
Never connect a live fixture!!!

Contractor is responsible for adequately reinforcing walls and/or ceilings to support fixture weight. Provide blocking when necessary.



Step 1 - Confirm Power Supply is Off!

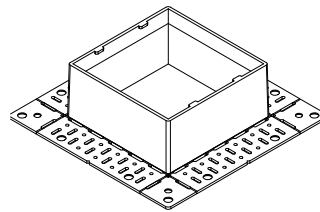
Unpack luminaire unit. Unit ships in **three** major parts: Fixture Insert/Driver Box Assembly, Plaster Trim Housing, and Lens/Cover unless Remote Driver version was supplied, then Plenum-rated cable with bare leads is also provided. In this configuration, integral conduit and driver box are not included. However, a strain relief is added to where the low voltage wires exit. Remote drivers and housings are supplied by Inter-lux.



1

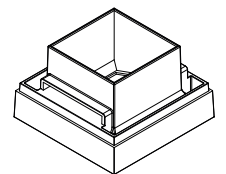
Fixture Insert/
Driver Box
Assembly
Round or Square

2



Plaster Trim
Housing
Round or Square

3



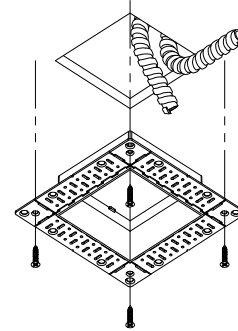
Lens/Cover
Round or Square

NOTE: Safety Cable not supplied with fixture



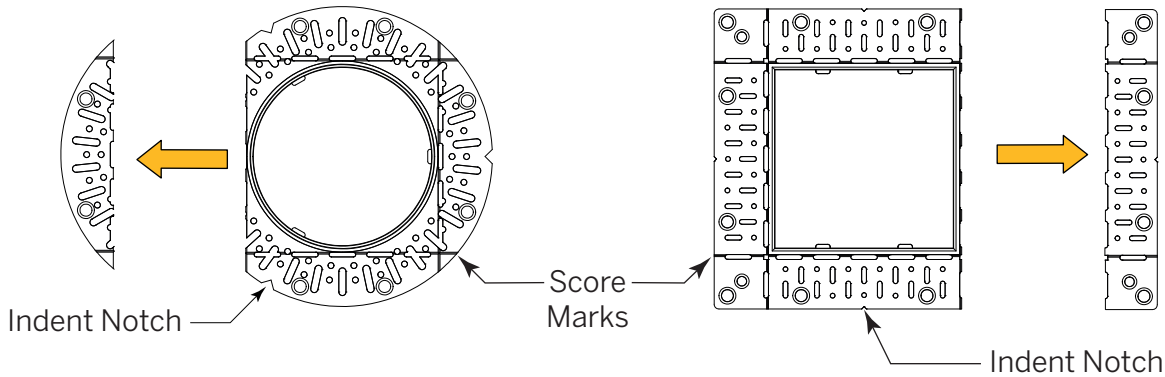
Step 2 - Ceiling Preparation

Cut appropriate size opening in the ceiling as shown above. Clear any insulation at least 3" from any part of the fixture or driver enclosure.



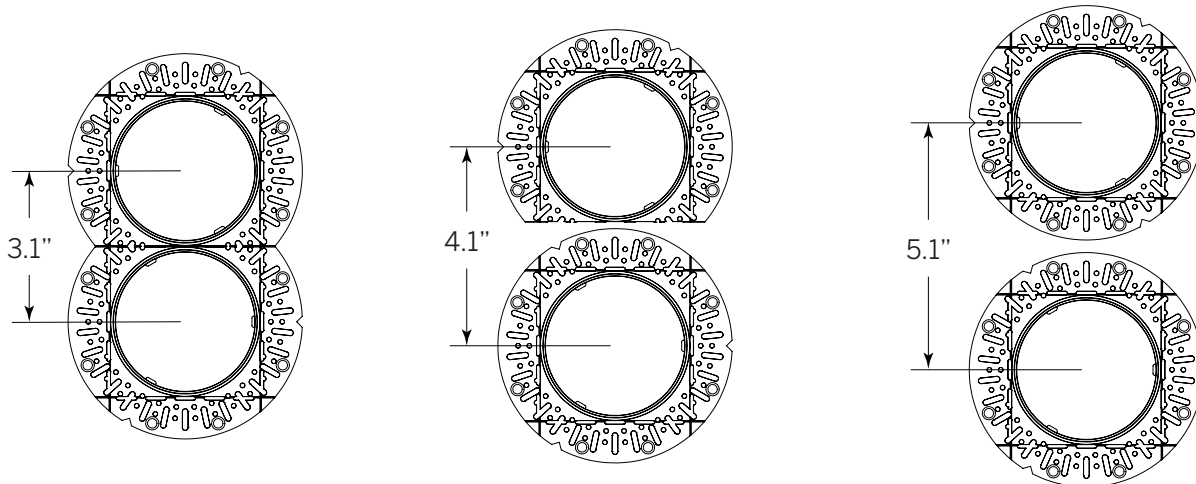
Step 3 - Insert Housing

- a** Screw frame into ceiling blocking or structure.
- b** Pull power and control cables out through housing.
- *** For multiple luminaire configuration, see below:



Plaster Trim may be broken on vertical and horizontal score marks to enable tighter arrangements.

Indent notches around perimeter may be used to calculate center marking distances



Need Help?

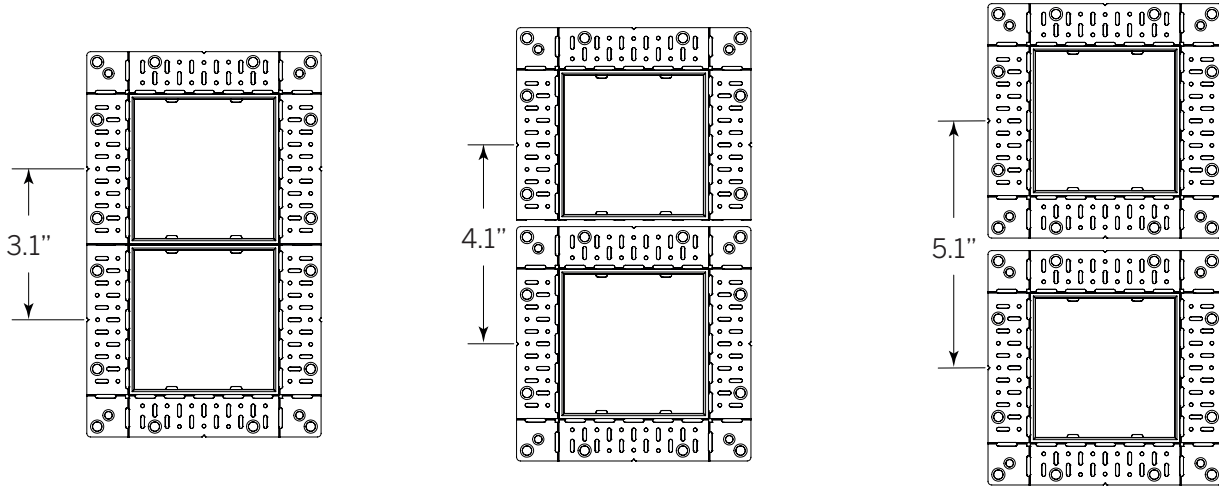
3" ProTools

WG-75RPTWW-RPT
WG-75SPTWW-sPT

Installation Instructions

Downlight

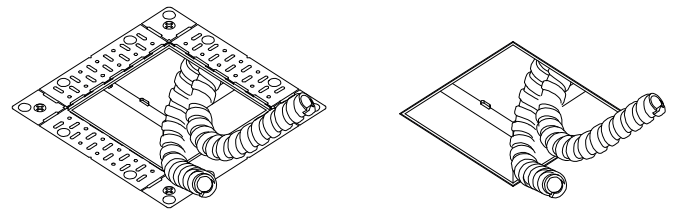
Round and Square
Wall Wash
Recessed Plaster Trim



Step 4 - Apply Joint Compound

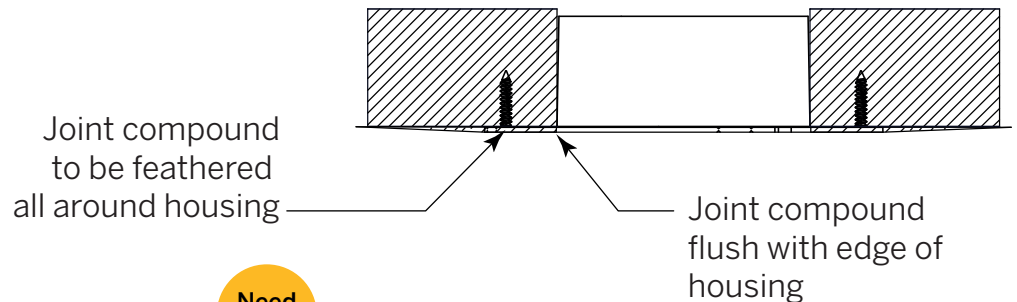
Apply joint compound onto plaster trim frame using tape-and-joint technique. Joint compound should be flush with inside edge of housing. Clean excess while still wet.

NOTE: Illustrations show conduit exiting from ceiling. This may not be the case in your installation.



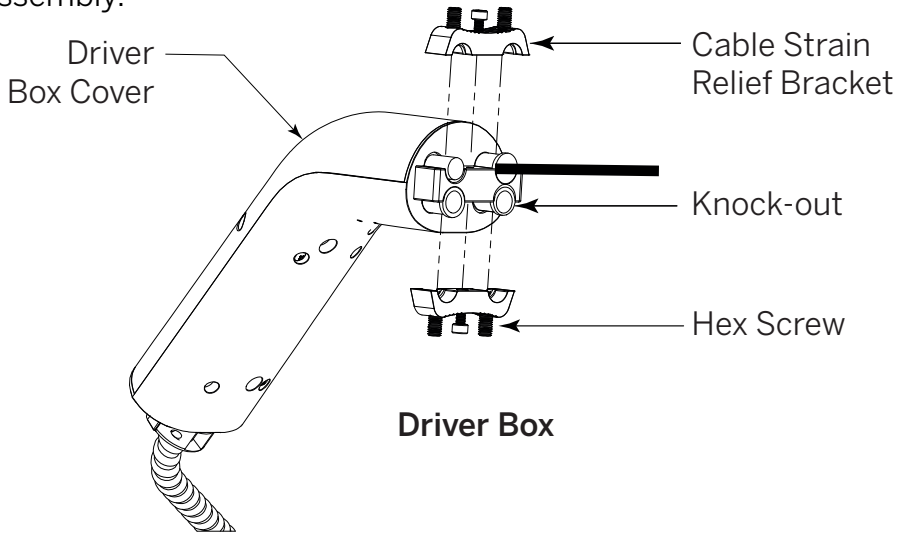
Before
Joint Compound

After
Joint Compound



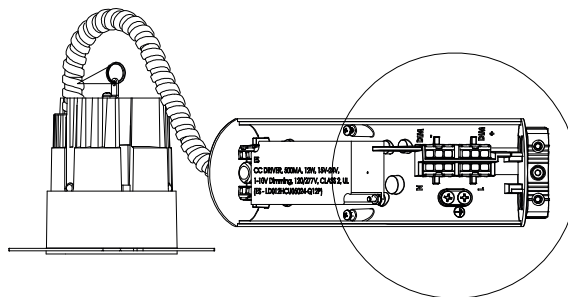
Step 5 - Wiring

- a** Locate Fixture Insert/Driver Box assembly.
- b** Remove Driver Box Cover. Loosen Cable Strain Relief Bracket(s) and Hex Screws. Remove (unscrew) Knock-outs as necessary.



NOTE: Illustrations show conduit exiting from ceiling. This may not be the case in your installation.

- c** Connect the Power Feed Cable to the Black (L), White (N) and Green (Gnd) Terminals. Connect the Control Wires, if applicable.

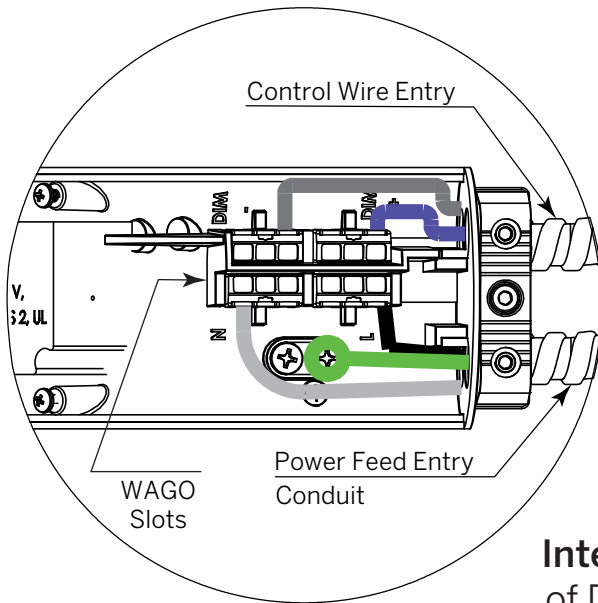


See next page for enlarged view

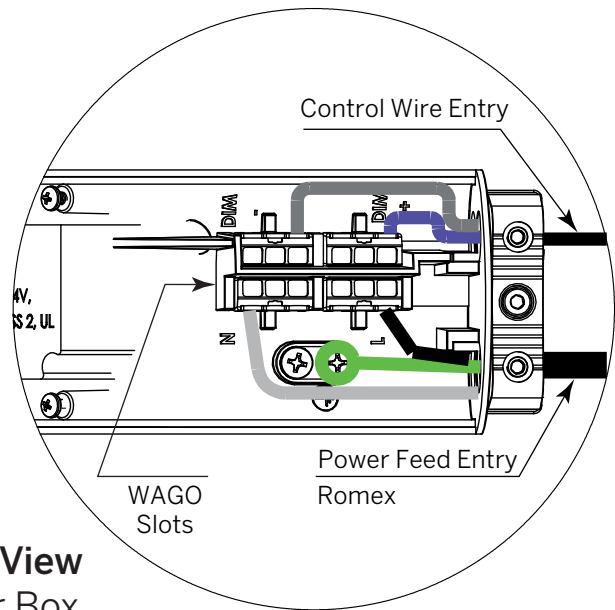


Step 5 - Wiring (continued)

Driver Box
Connected to
Conduit



Driver Box
Connected to
Romex



Interior View
of Driver Box

To connect to driver box,
incoming conduit
must be Trade Size 3/8

However, this size conduit
cannot enter driver box.
It is held in place by Cable Strain
Relief Bracket only.

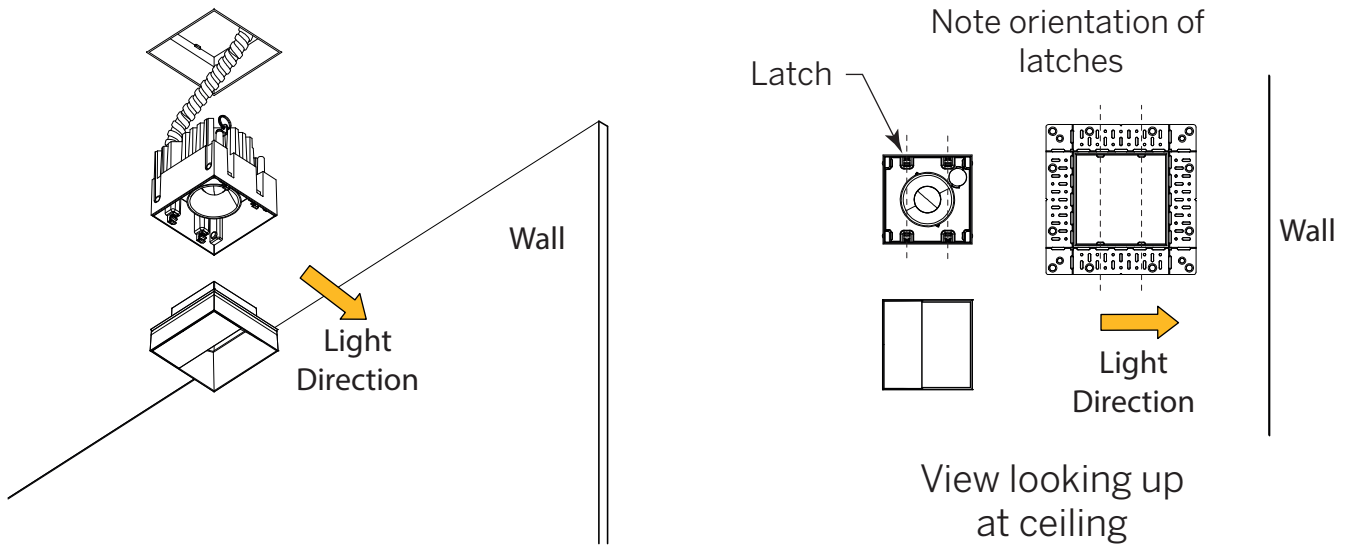
If Romex is used, fasten
set screws to secure
in addition to closing strain
relief bracket.

Use 7/64" allen key to fix set screws.

Refer to Driver Wiring Instructions
for other control protocols

Need
Help?

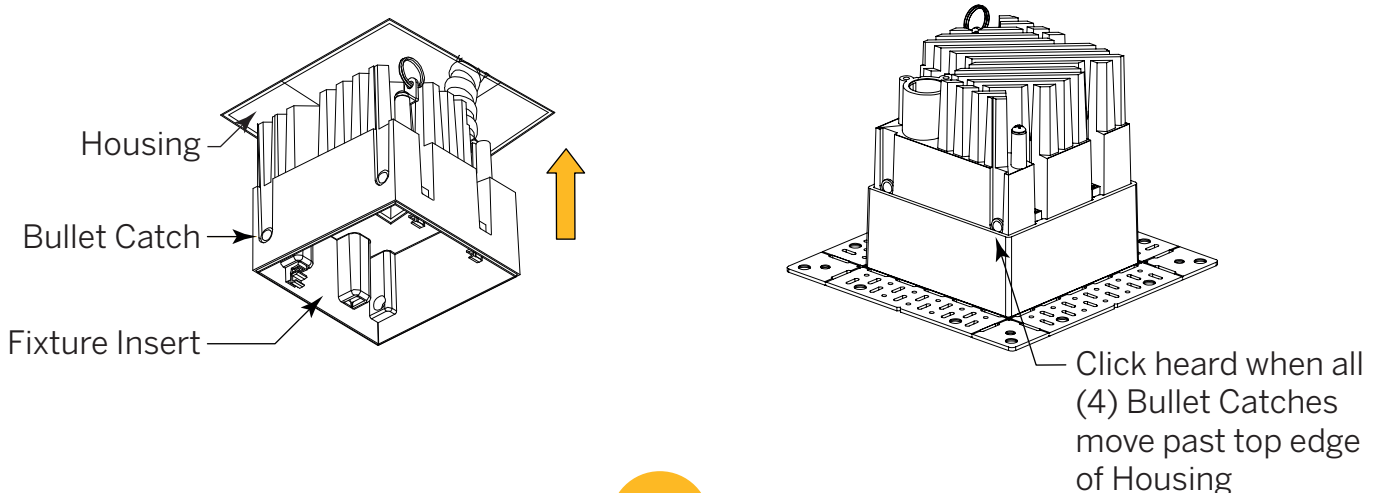
Step 6 - Orienting Wall Wash Lens Cover



Step 7 - Mounting Fixture Insert inside Housing

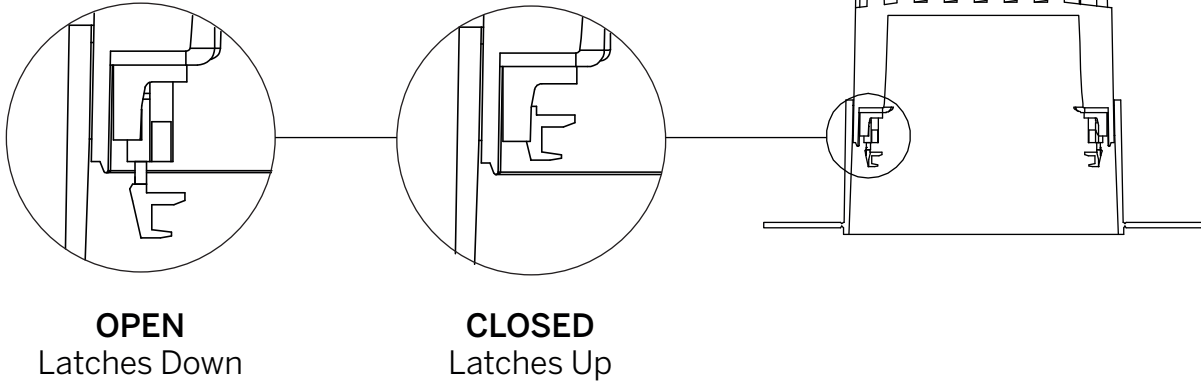
- a** Place Driver Box and Integral Conduit inside ceiling hole
- b** Push Fixture Insert into Housing in ceiling. A click will be heard when Insert is properly seated.

IMPORTANT: Be careful not to damage LED or Optic during installation process.

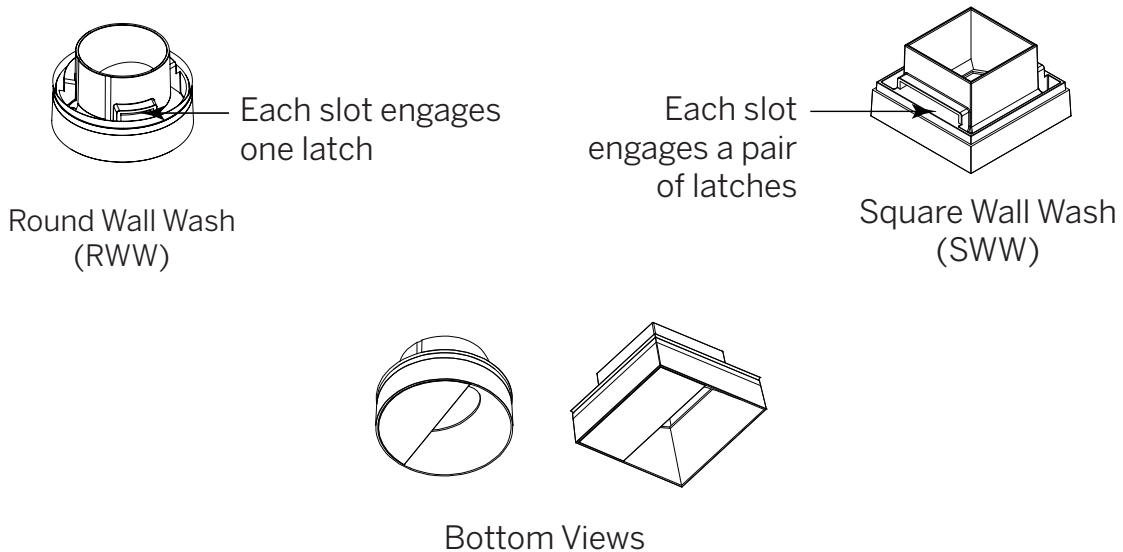


Step 8 - Latching Lens Cover into Insert

- a Check to ensure **all** push latches are **OPEN** before inserting

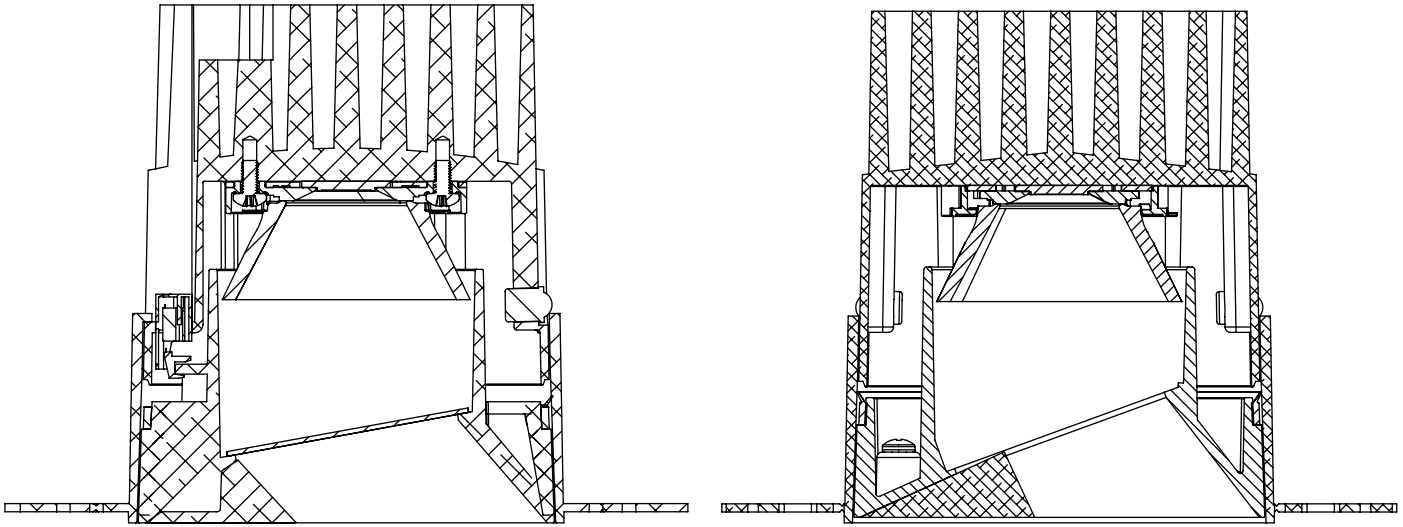


- b Orient slots in Lens Cover with latch locations. Push Lens up into Fixture Insert until a click is heard. Release hand and Lens Cover will be locked in place.



Need Help?

Correct Seating for Round and Square Wall Wash Cover/Lenses



Round Wall Wash
(RWW)

Square Wall Wash
(SWW)

