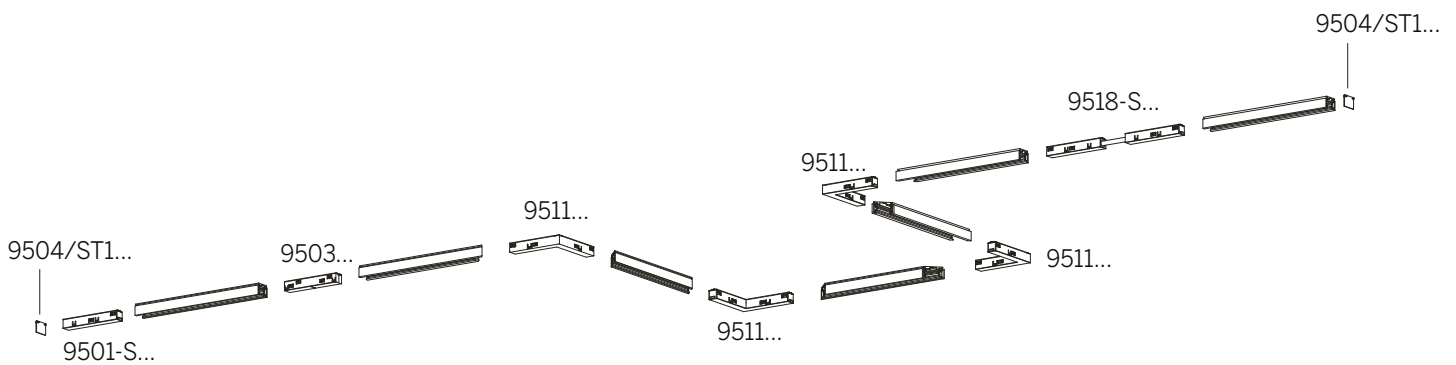
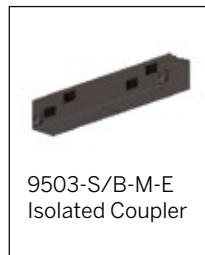




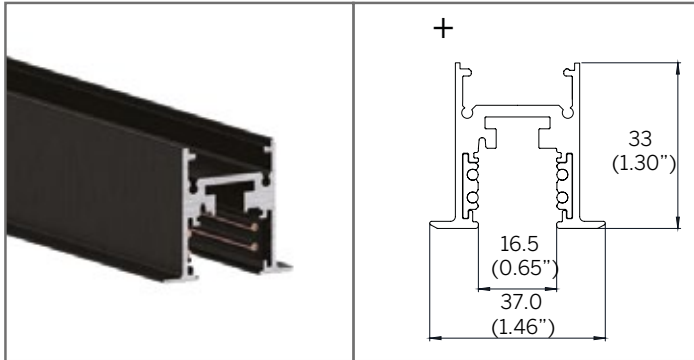
**Surface
Recessed Trimmed
Recessed Trimless
Suspended**

**48V Track with Databus
For Dali Or 0-10V**



STUCCHI MULTISYSTEM 48V

Recessed Trimmed 48V Track ST8 48V track with Databus



3.3' (1M) length

RAL 9005 ST8-9500-1M-BK

RAL 9016 ST8-9500-1M-TW

6.6' (2M) length

RAL 9005 ST8-9500-2M-BK

RAL 9016 ST8-9500-2M-TW

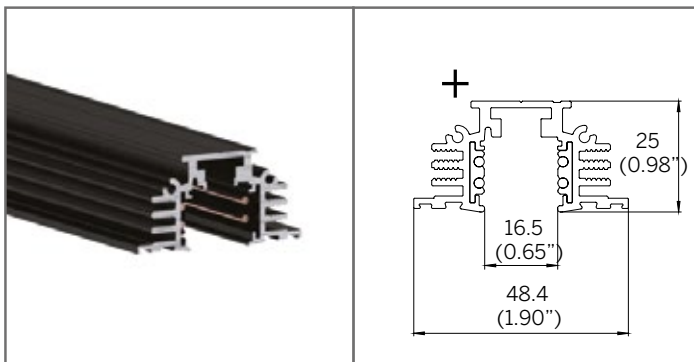
6.6' (2M) length

RAL 9005 ST8-9500-3M-BK

RAL 9016 ST8-9500-3M-TW

Mounting brackets required, 2 per 3.3' (1M) - S-9500/111

Recessed Trimless 48V Track ST3 48V track with Databus



3.3' (1M) length

RAL 9005 ST3-9500-1M-BK

RAL 9016 ST3-9500-1M-TW

6.6' (2M) length

RAL 9005 ST3-9500-2M-BK

RAL 9016 ST3-9500-2M-TW

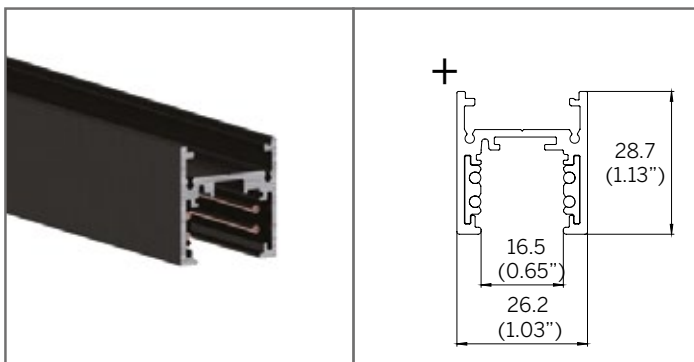
6.6' (2M) length

RAL 9005 ST3-9500-3M-BK

RAL 9016 ST3-9500-3M-TW

Mounting brackets required, 4 per 3.3' (1M) - ST3-9500/315

Suspended 48V Track ST6 48V track with Databus



3.3' (1M) length

RAL 9005 ST6-9500-1M-BK

RAL 9016 ST6-9500-1M-TW

6.6' (2M) length

RAL 9005 ST6-9500-2M-BK

RAL 9016 ST6-9500-2M-TW

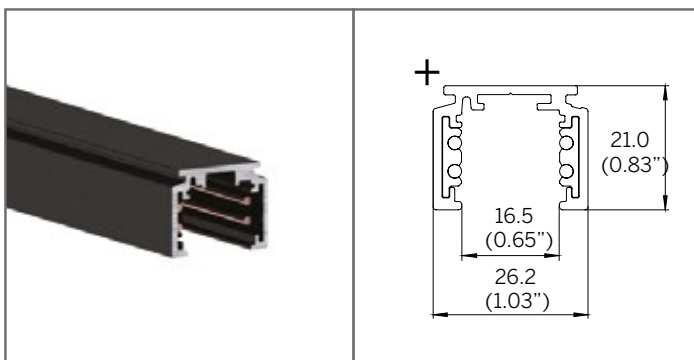
6.6' (2M) length

RAL 9005 ST6-9500-3M-BK

RAL 9016 ST6-9500-3M-TW

Suspension kits required, 2 per 3.3' (1M) - ST6-9500-K1.5

Surface 48V Track ST1 48V track with Databus



3.3' (1M) length

RAL 9005 ST1-9500-1M-BK

RAL 9016 ST1-9500-1M-TW

6.6' (2M) length

RAL 9005 ST1-9500-2M-BK

RAL 9016 ST1-9500-2M-TW

6.6' (2M) length

RAL 9005 ST1-9500-3M-BK

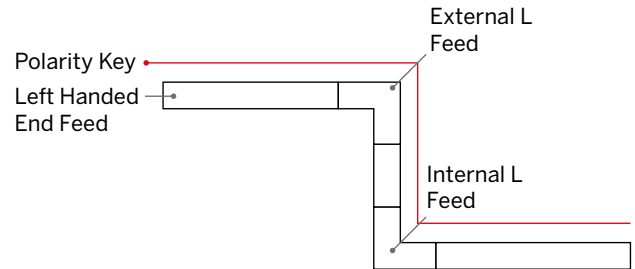
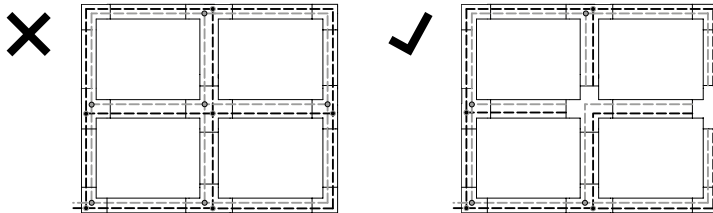
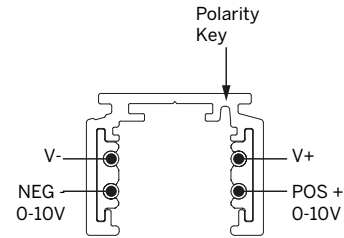
RAL 9016 ST1-9500-3M-TW

CONNECTION HARDWARE

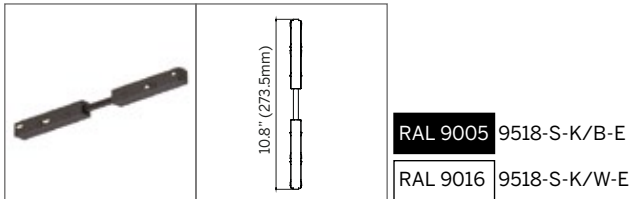
POLARISED 0-10V CONNECTION HARDWARE

Track power feeds and interconnectors have markings for V-, V+, D+ & D-, this polarity must be observed throughout the system.

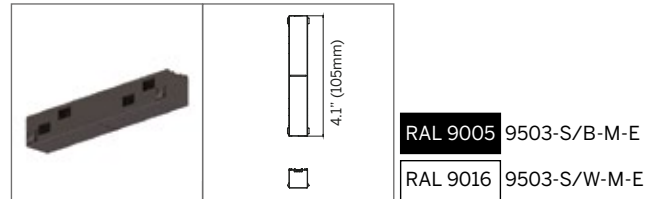
For 0-10V installations the luminaires are polarity sensitive, you must ensure the data bus wiring does not create a ring structure and that polarity is maintained in relation to the polarity key on the track by using left handed / right handed, internal and external connectors. A failure-free 0-10V bus cannot be ensured if this is not in place. If the track installation requires the use of L T or X joints, it is possible to disconnect the data bus in these joints to avoid creating a ring. Pay attention at joints between track sections that the polarity key feature is on the same side across tracks. Miss-wiring will result in a short or sections on non-controllable lights.



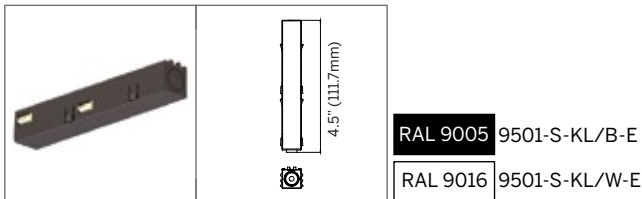
Adjustable Corner Connector Compatible with all tracks



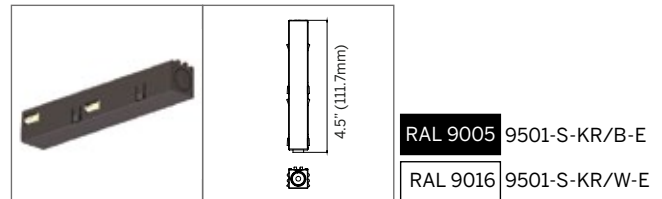
Isolated Coupler Compatible with all tracks



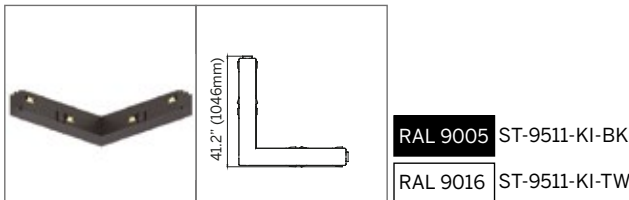
Left Handed End Feed Compatible with all tracks



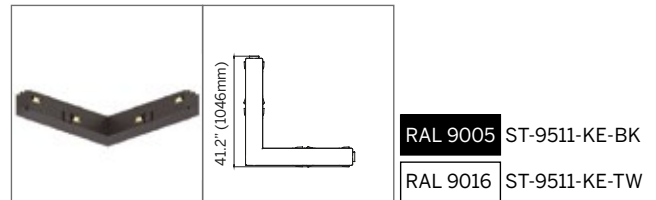
Right Handed End Feed Compatible with all tracks



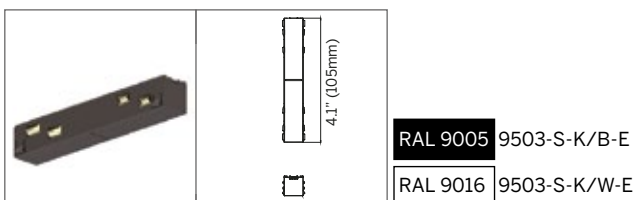
Internal L Feed Compatible with all tracks



External L Feed Compatible with all tracks



Straight Coupler Compatible with all tracks



MOUNTING AND MISC HARDWARE

RECESSED TRIMMED TRACK HARDWARE - ST8

Recessed multisystem track requires 2 mounting clamps [S-9500/111] per 3.3' (1m) of installed track.

Note: When installing Polarised track hardware ensure the connection hardware matches the track orientation and cable feed locations.

Recessed mounting clamp

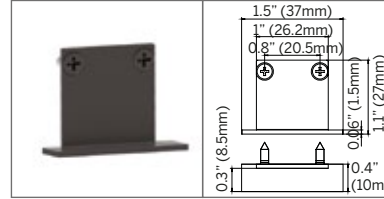
Mounting clamp for ST8 Recessed trimmed track only



SILVER S-9500/111

End Cap (Recessed Trimmed)

For use with Recessed Trimmed track ONLY

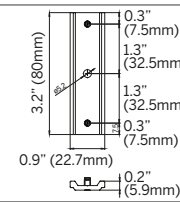


RAL 9005 ST8-9504-BK

RAL 9016 ST8-9504-TW

Reinforced Bracket

Reinforced linear bracket for ST8 Recessed Trimmed track and ST6 Suspended track ONLY



SILVER ST-9500-323

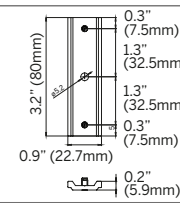
RECESSED TRIMLESS TRACK HARDWARE - ST3

Recessed multisystem track requires 4 mounting brackets [ST3-9500/315] per 3.3' (1m) of installed track.

Note: When installing Polarised track hardware ensure the connection hardware matches the track orientation and cable feed locations.

Reinforced Bracket

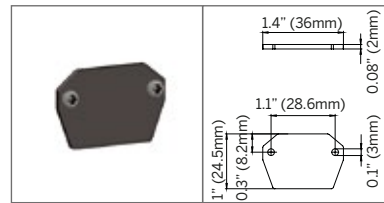
Reinforced linear bracket for ST3 Recessed Trimless track ONLY



RAL 9005 ST3-9500-314

End Cap (Recessed Trimless)

For use with Recessed Trimless track ONLY



RAL 9005 ST3-9504-BK

RAL 9016 ST3-9504-TW

Mounting Bracket

Mounting bracket for ST3 Recessed Trimless track, 4 required per meter



SILVER ST3-9500/315

MOUNTING AND MISC HARDWARE

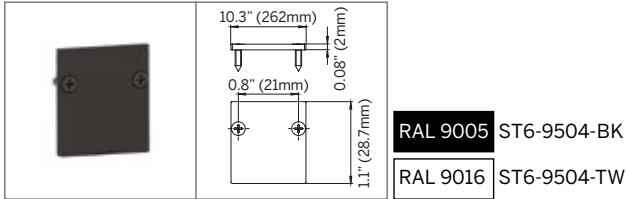
SUSPENDED TRACK HARDWARE - ST6

Suspended multisystem track requires 2 suspension kits [ST6-9500-KIT1.5] per cut length of track, or 3 per 6.6" (2m), whichever is greater.

Note: When installing Polarised track hardware ensure the connection hardware matches the track orientation and cable feed locations.

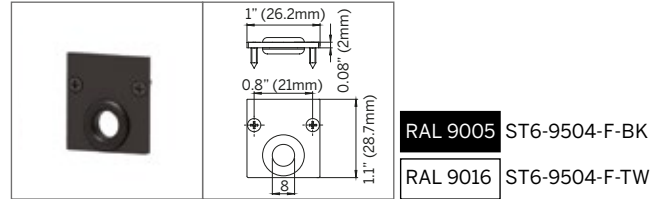
End Cap (Suspended)

For use with Recessed Suspended track ONLY



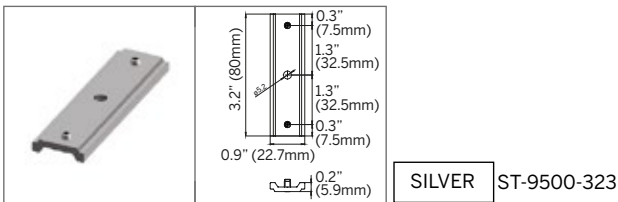
End Cap (Suspended) with wire feed hole

For use with Recessed Suspended track ONLY



Reinforced Bracket

Reinforced linear bracket for ST8 Recessed Trimmed track and ST6 Suspended track ONLY



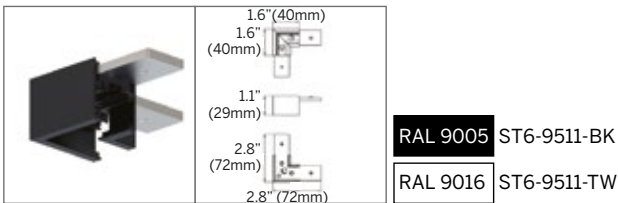
Suspension Kit

For use with ST6 Suspended Track ONLY



Reinforced Corner

Reinforced corner bracket for ST6 Suspended track. Isolates tracks as standard, requires L feed to conduct power and data between tracks.

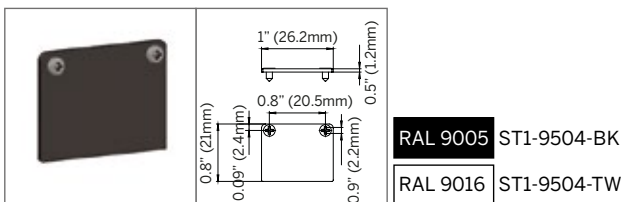


SURFACE TRACK HARDWARE - ST1

Note: When installing Polarised track hardware ensure the connection hardware matches the track orientation and cable feed locations.

End Cap (Surface)

For use with Surface track ONLY



End Cap (Surface) with wire feed hole

For use with Surface track ONLY

