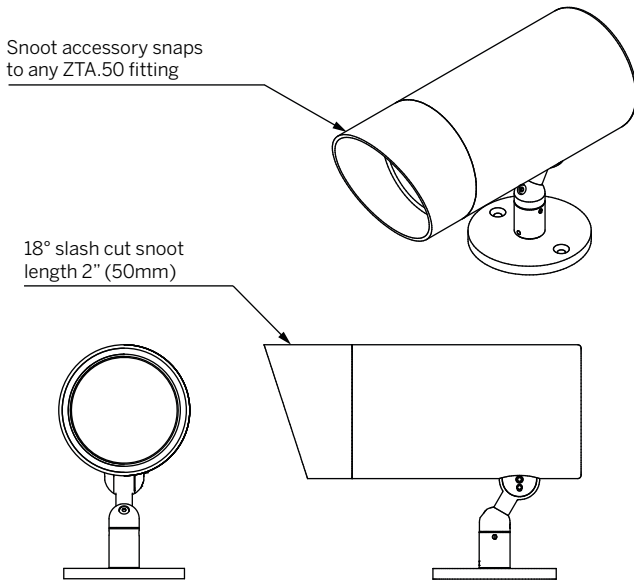


Options

Slash Cut Snoot (SCS)



Straight Snoot (SNT)

