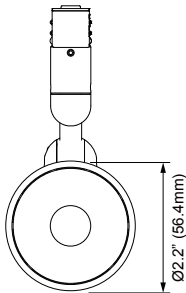
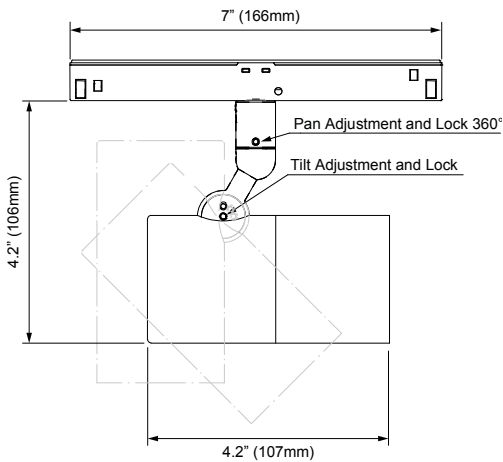


ZTA.50 LV Stucchi Track +Zoom



Luminaire

- Interior rated low voltage track spot light with zoomable lens or fixed focus
- Track mounted (Stucchi Multisystem Evo - Low Voltage Track).
- Precision machined from 70 - 90% recycled aluminum.
- 95+ CRI with multiple CCTs and optics available.
- Fixture includes 0-10V dimming, driver remote.

Mounting¹

- ST = Stucchi Multisystem Evo - Low Voltage Track

Power²

- 4 = 4W (4385lm initial at 450mA, 9.4Vf)
- 8 = 8W (798lm initial at 250mA, 34.1Vf)
- 12 = 12W (1513lm initial at 350mA, 36.9Vf)

CCT (95+ CRI)³

- 927 = 2700K
- 930 = 3000K
- 935 = 3500K
- 940 = 4000K

Optic

- Z = Zoom (13.7° - 48°), 8W Only
- VN1 = Very Narrow 1 (9°), 4W Only
- VN2 = Very Narrow 2 (14°), 8W Only
- VN3 = Very Narrow 3 (17°), 12W Only
- M = Medium (25°), 12W Only
- F = Flood (34°), 12W Only
- WF = Wide Flood (47°), 12W Only
- FRA = Framer Adjustable (17-33.4°). 12W only⁴
- FRF = Framer Fixed (53°). 12W only⁴

Finish (fixture and track adapter) (interior always matte black)

- W = Pure White, RAL9010
- BL = Matte Black, RAL9005
- CF = Custom finish, specify RAL

Options^{5,6}

- SCS = Slash Cut Snoot
- SNT = Straight Snoot
- GBS = Gobo Single Color, available with Framer (FRA / FRF) optics only
- GBD = Gobo Double Color, available with Framer (FRA / FRF) optics only

Accessories⁴

- CL = Clear Lens
- DL = Diffused Lens
- HCL = Honeycomb Louver
- SOL = Solite Lens
- SHS = Sharp Spread Lens
- SOS = Soft Spread Lens

Power Supply⁷

- IL-DB12-LED-48002-UNV = Dry location enclosure 13.25"x 5"x 2.25" with CV Driver, 96W, 48VDC, 120/277V, Class 2

Controls (Dimming)

- 010 = 0-10V
- DL = DALI
- W = Wireless (Casambi or Xicato)

- Order track separately. See Stucchi LV Track data sheet for details.
- Wattage shown is for LED only, system wattage varies depending on driver selected.
- See photometric data sheet for delivered lumens.
- See page 7 for details. N/A with SCS ans SNT.
- Holds one option or accessory. See options on page 5 and accessories on page 6 for details.
- Outside same finish as fixture, inside matte black.
- Do not load driver beyond 76.8W. See driver information for details. Additional drivers available. contact factory.



Framer - Adjustable Beam (17-33.4°)(FRA) or Fixed Beam (53°)(FRF)



Ordering Information

Model	Mounting ¹	Power ²	CRI/ CCT ³	Optic	Finish	Options ^{5,6}	Accessories ⁵	+	Driver ⁷	Controls
MS-ZTA70LV	ST	4	927	VN1	W	SCS	CL		IL-DB12-LED-48002-UNV	010 DL W
		8	930	VN2	BL	SNT	DL			
		12	935	VN3	CF	GBS	HCL			
			940	M	SOL					
MS-ZTA70LVZ (Zoom)		8		Z		GBD	SHS			
							SOS			