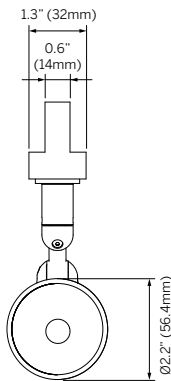
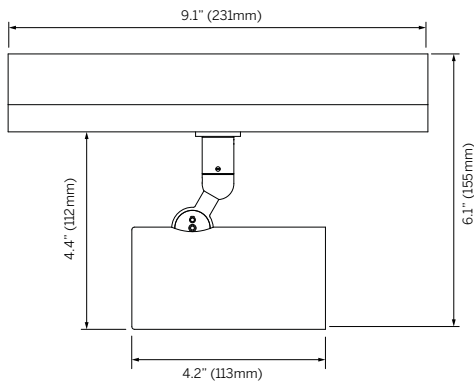


ZTA.50 Mains Track +Zoom



Luminaire

- Interior rated track spot light with zoomable lens or fixed focus.
- Track mounted (Stucchi Onetrack UL 120V 3 Circuits Common Neutral).
- Precision machined from 70 - 90% recycled aluminum.
- 95+ CRI with multiple CCTs and optics available.
- Fixture includes 0-10V dimming, driver remote.

Mounting¹

- TR = Stucchi Onetrack UL 120V 3 Circuits Common Neutral

Power²

- 4 = 4W (385lm initial at 450mA, 9.4Vf)
- 8 = 8W (798lm initial at 250mA, 34.1Vf)
- 12 = 12W (1341lm initial at 350mA, 36.9Vf)

CCT (95+ CRI)³

- 927 = 2700K
- 930 = 3000K
- 935 = 3500K
- 940 = 4000K

Optic

- Z = Zoom (14° - 48°), 8W Only
- VN1 = Very Narrow 1 (9°), 4W Only
- VN2 = Very Narrow 2 (17°), 12W Only
- M = Medium (25°), 12W Only
- F = Flood (34°), 12W Only
- WF = Wide Flood (47°), 12W Only

Finish (fixture and track adapter) (interior always matte black)

- W = Pure White, RAL9010
- BL = Matte Black, RAL9005
- CF = Custom finish, specify RAL

Options^{4,5}

- SCS = Slash Cut Snoot
- SNT = Straight Snoot

Accessories⁴

- CL = Clear Lens
- DL = Diffused Lens
- HCL = Honeycomb Louver
- SOL = Solite Lens
- SHS = Sharp Spread Lens
- SOS = Soft Spread Lens

Controls (Dimming)⁶

- 010 = 0-10V
- DL = DALI
- W = Wireless (Casambi or Xicato)
- MD = Manual on-board dim
- PC = Phase cut

1. Order track separately. See Stucchi Onetrack data sheet for details.

2. Wattage shown is for LED only, system wattage varies depending on driver selected.

3. See photometric data sheet for delivered lumens.

4. Holds one option or accessory. See options on page 5 and accessories on page 6 for details.

5. Outside same finish as fixture, inside matte black.

6. Do not load driver beyond 76.8W. See driver information for details. Additional drivers available. contact factory.



Ordering Information								
Model	Mounting ¹	Power ²	CRI/CCT ³	Optic	Finish	Options ^{4,5}	Accessories ⁴ +	Controls ⁶
MS-ZTA50MT	TR	4	927 930 935 940	VN1	W BL CF	SCS SNT	CL DL HCL SOL SHS SOS	010 DL W MD PC
		8		VN2				
MS-ZTA50MTZ (Zoom)	TR	12	927 930 935 940	M WF	W BL CF	SCS SNT	CL DL HCL SOL SHS SOS	010 DL W MD PC
		8		Z				

