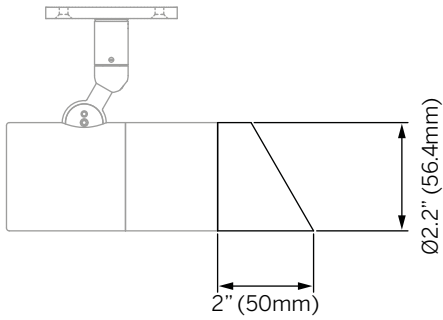
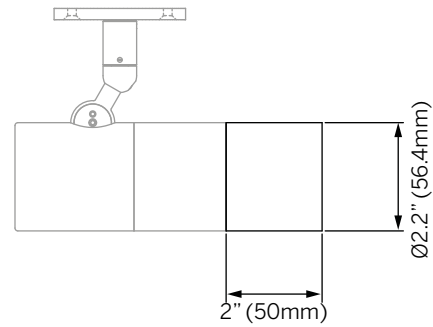


Options

Slash Cut Snoot 30° 2" (SCS)



Straight Snoot 2" (SNT)



Barn Doors (BD)

