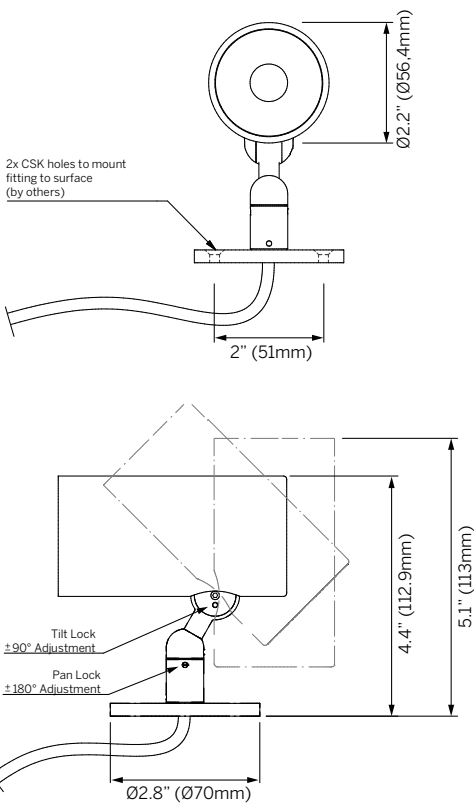


ZTA.50 Surface +Zoom



Luminaire

- Interior rated spot light with zoomable lens or fixed focus optics.
- Surface, stem or pole clamp mounted.
- Precision machined from 70 - 90% recycled aluminum.
- 95+ CRI with multiple CCTs and optics available.

Mounting

- SM = Surface Mounted
- ST = Stem Mounted¹
- PC = Pole Clamp (clamp only, contact us for custom pole options)¹

Power²

- 4 = 4W (385lm initial at 450mA, 9.4Vf)
- 8 = 8W (798lm initial at 250mA, 34.1Vf)
- 12 = 12W (1513lm initial at 350mA, 36.9Vf)

CCT (95+ CRI)³

- 927 = 2700K
- 930 = 3000K
- 935 = 3500K
- 940 = 4000K

Optic

- Z = Zoom (14° x 48°), 8W Only
- VN1 = Very Narrow 1 (9°), 4W Only
- VN2 = Very Narrow 2 (14°), 8W Only
- VN3 = Very Narrow 3 (17°), 12W Only
- M = Medium (25°), 12W Only
- F = Flood (34°), 12W Only
- WF = Wide Flood (47°), 12W Only

Finish (interior always matte black)

- W = Pure White, RAL9010
- BL = Matte Black
- CF = Custom finish, specify RAL

Options^{4,5}

- SCS = Slash Cut Snoot
- SNT = Straight Snoot
- BD = Barn Doors

Accessories⁴

- CL = Clear Lens
- DL = Diffused Lens
- HCL = Honeycomb Louver
- SOL = Solite Lens
- SHS = Sharp Spread Lens
- SOS = Soft Spread Lens

Remote Driver⁶

- ECO30W-500 = 0-10V EldoLED ECOdrive 30W for 1 fixture
- SOLO50W-500 = 0-10V EldoLED SOLOdrive 50W for 1-2 fixtures (1 per output)
- SOLO100W-500 = 0-10V EldoLED SOLOdrive 100W for 1-4 fixtures (1 per output)

1. See page 5 for details.
2. Wattage shown is for LED only, system wattage varies depending on driver selected.
3. See photometric data sheet for delivered lumens.
4. Holds one option or accessory. See options on page 6 and accessories on page 7 for details.
5. Outside same finish as fixture, inside matte black.
6. See driver information for details.

Ordering Information

Model	Mounting	Power ²	CRI/CCT ³	Optic	Finish	Options ^{4,5}	Accessories ⁴	+	Driver ⁶
MS-ZTA50S	SM	4	927	VN1	W	SCS	CL		ECO30W-500
MS-ZTA50SZ (Zoom)	ST ¹ PC ¹	8	930	Z	BL	SNT	DL		SOLO50W-500 SOLO100W-500
		12	935	VN2	CF	BD	HCL	SOL	
			VN3 M F WF	940		SHS SOS			

