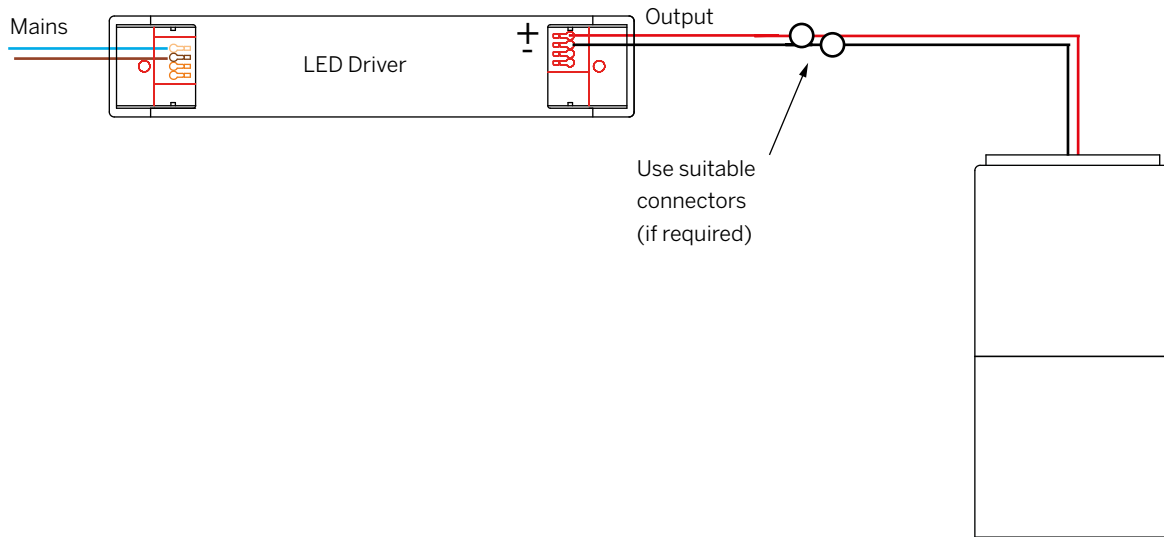


Wiring

Constant Current



Note that while constant current light sources can be wired in series, the number of fittings that can be wired in series is limited by the forward Voltage of the LED.