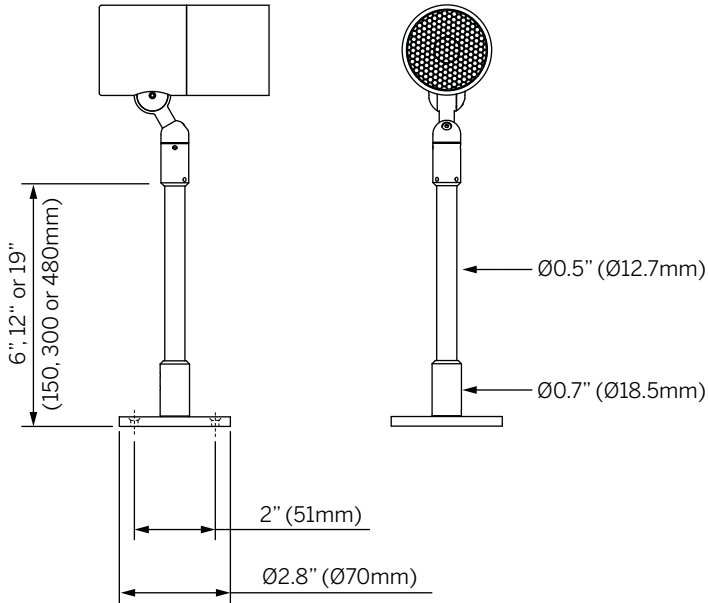


Mounting Options

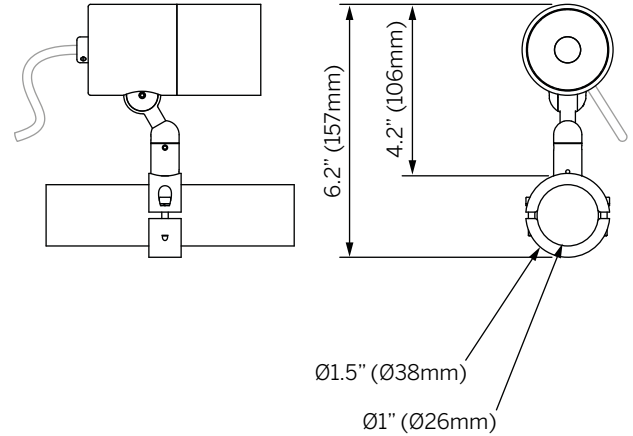
Stem Mounted (ST)

Height can be customized



Pole Clamp (PC) (Clamp Only)

Contact us for custom pole options



Flex Mounted (FX)

Maximum bending radius 3" (75mm)

