

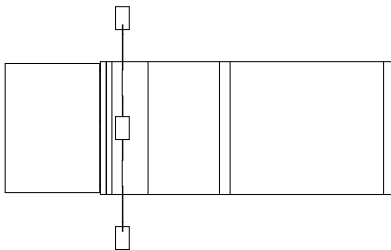
ZTA.50 Framer Kit



Framer - Adjustable Beam (17-33.4°)(FRA) or Fixed Beam (53°)(FRF)

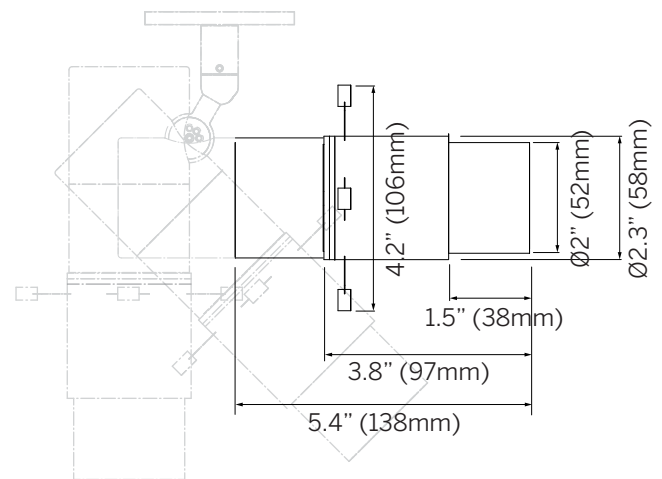
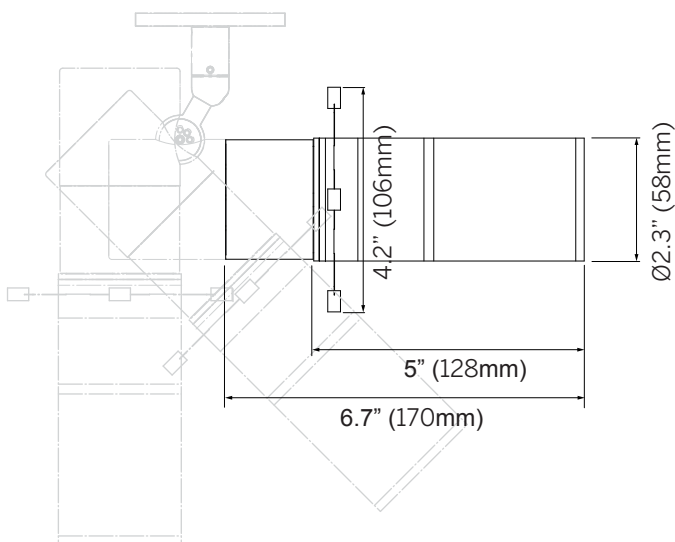
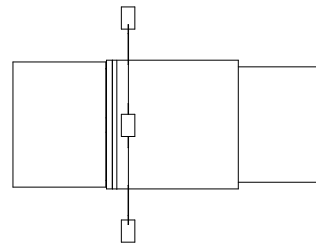
Adjustable beam framer

Widest adjustable setting 33.7° Beam
Narrowest adjustable setting 17.1° Beam



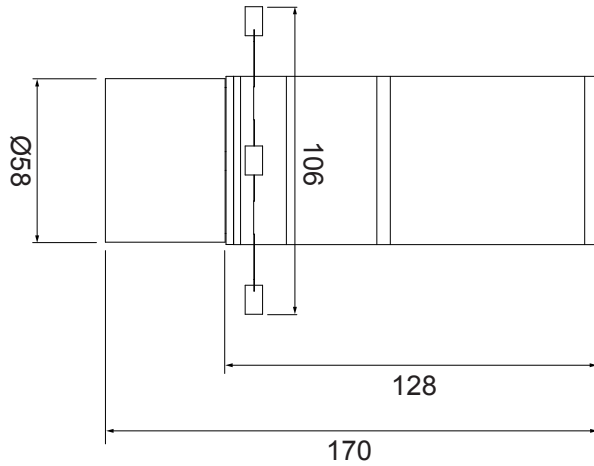
Fixed beam framer

Fixed 54.3° Beam

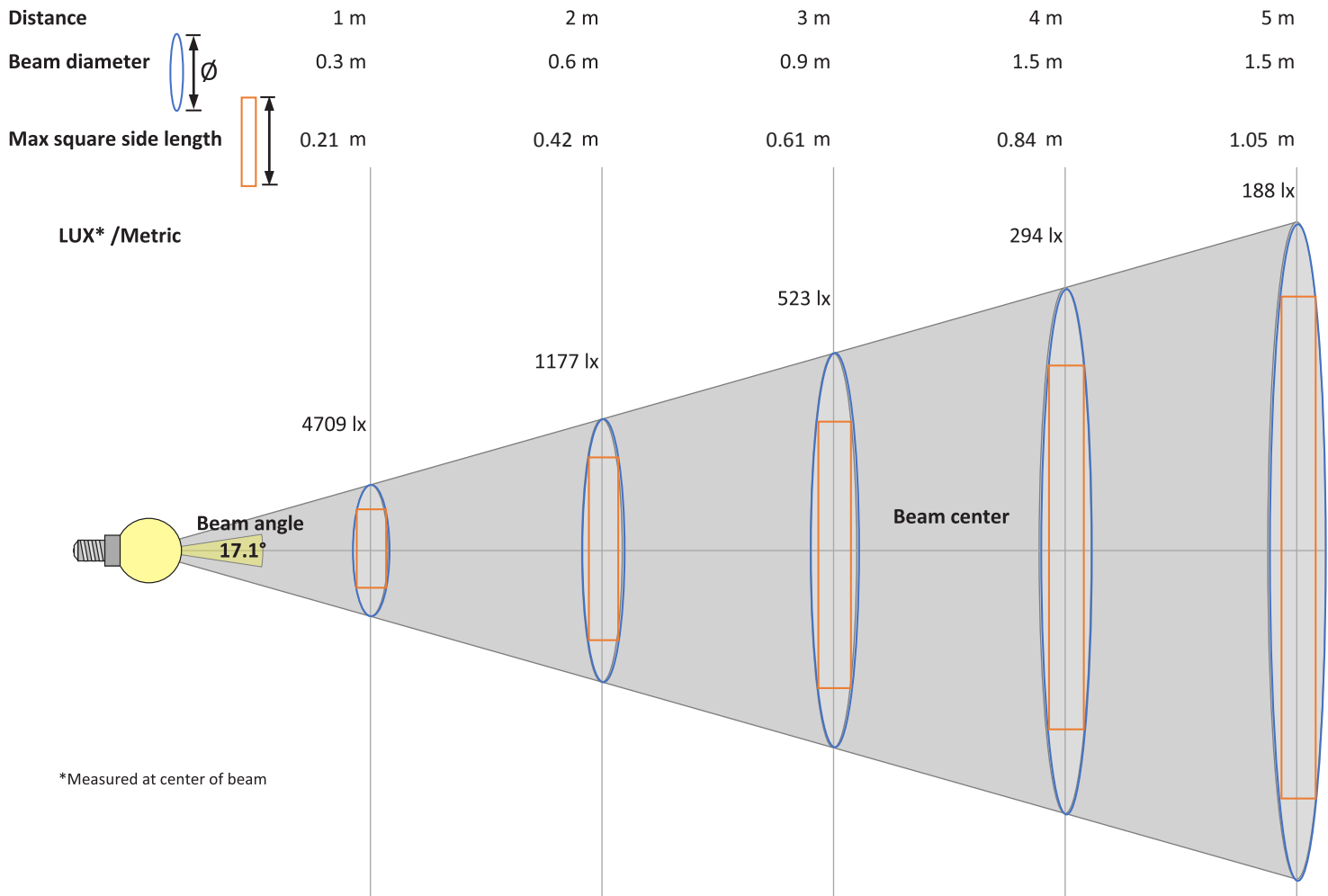


ZTA.50 Framer Kit

Adjustable beam framer
9.8mm 3000K XOB 95CRI Narrowest adjustable setting



- Option 1:** Adjustable beam framer
- Output (total Lumen):** 372 lm
- Beam Angle:** 17.1°
- LoR:** 27.7%
- Light Source:** 9.8mm 3000K XOB 95CRI
- Uniformity :** 85%
- TV distortion :** ≤0.5%

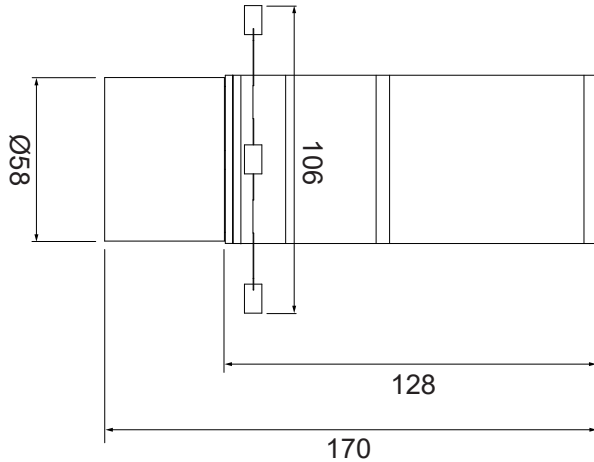


Beam intensities from 1 – 10 m (before framing, ie Max beam diameter circle)

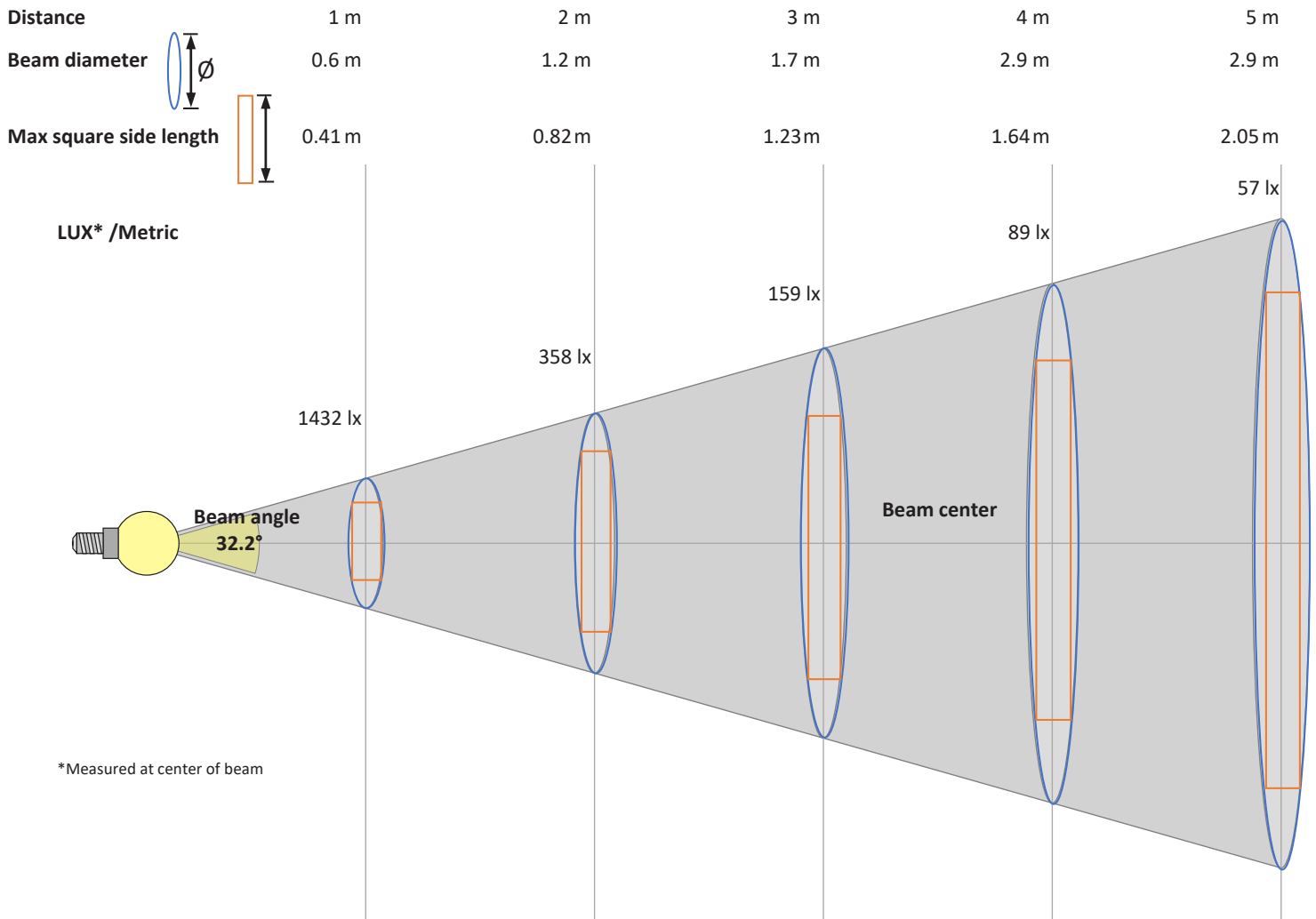
1m	2m	3m	4m	5m	6m	7m	8m	9m	10m	Distance
4709lux	1177 lux	523 lux	294 lux	188 lux	131 lux	96 lux	74 lux	58 lux	47 lux	Illuminance

ZTA.50 Framer Kit

Adjustable beam framer
9.8mm 3000K XOB 95CRI Widest adjustable setting



- Option 1:** Adjustable beam framer
- Output (total Lumen):** 360 lm
- Beam Angle:** 32.2°
- LoR:** 26.8%
- Light Source:** 9.8mm 3000K XOB 95CRI
- Uniformity :** 85%
- TV distortion :** ≤0.5%

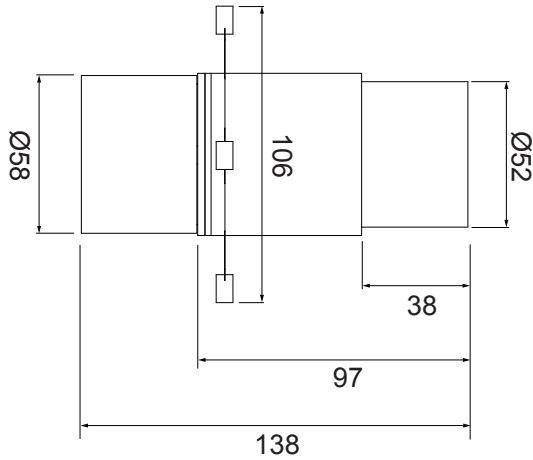


Beam intensities from 1 – 10 m (before framing, ie Max beam diameter circle)

1m	2m	3m	4m	5m	6m	7m	8m	9m	10m	Distance
1432lux	358 lux	159 lux	89 lux	57 lux	40 lux	29 lux	22 lux	18 lux	14 lux	Illuminance
133	33.3	14.8	8.3	5.3	3.7	2.7	2.1	1.6	1.3	fc

ZTA.50 Framer Kit

Fixed beam framer
9.8mm 3000K XOB 95CRI



Option 2: Fixed beam framer

Output (total Lumen): 512 lm

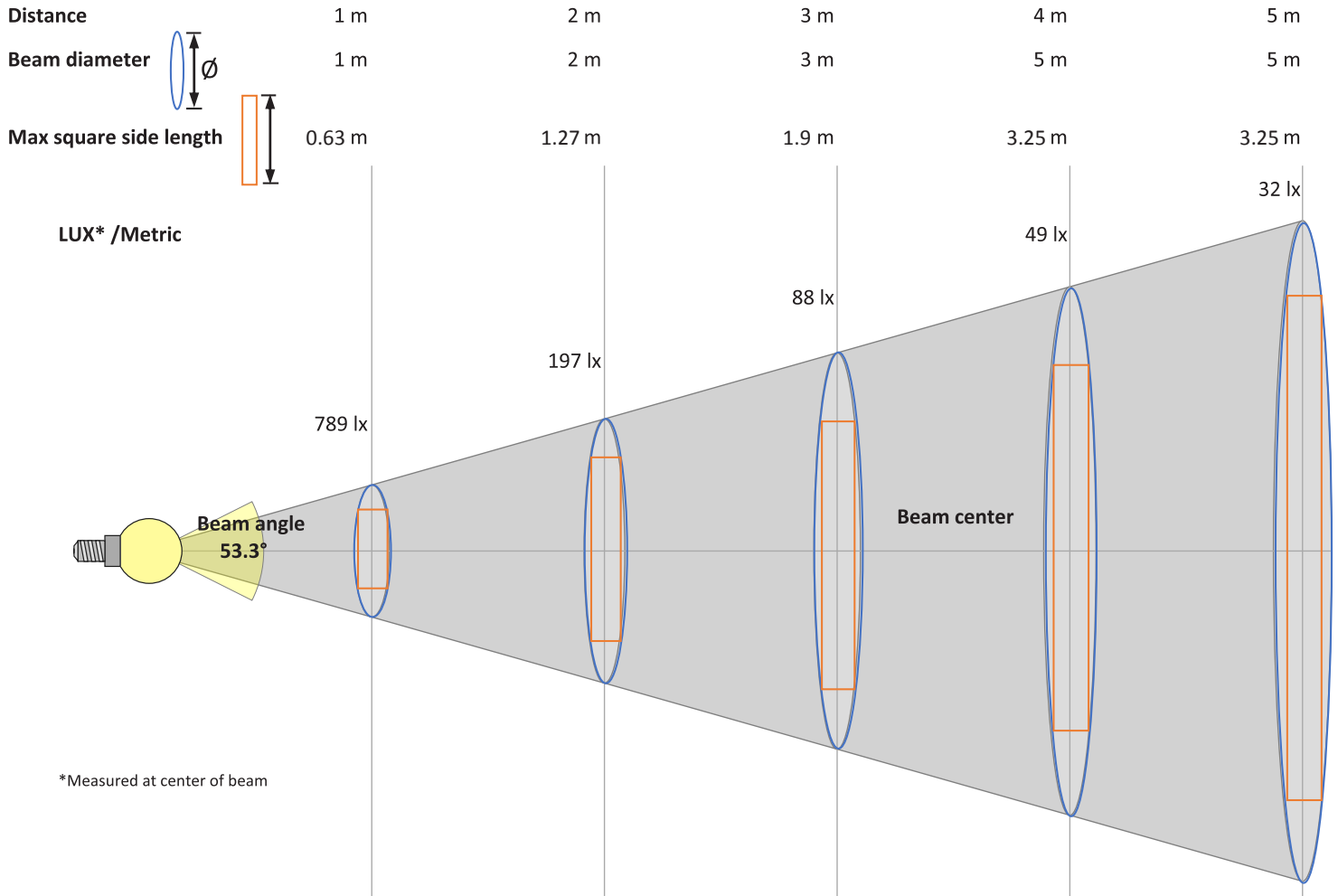
Beam Angle: 53.3°

LoR: 38.2%

Light Source: 9.8mm 3000K XOB 95CRI

Uniformity : 90%

TV distortion : ≤0.34%



Beam intensities from 1 – 10 m (before framing, ie Max beam diameter circle)

1m	2m	3m	4m	5m	6m	7m	8m	9m	10m	Distance
789lux	197 lux	88 lux	49 lux	32 lux	22 lux	16 lux	12 lux	10 lux	8 lux	Illuminance