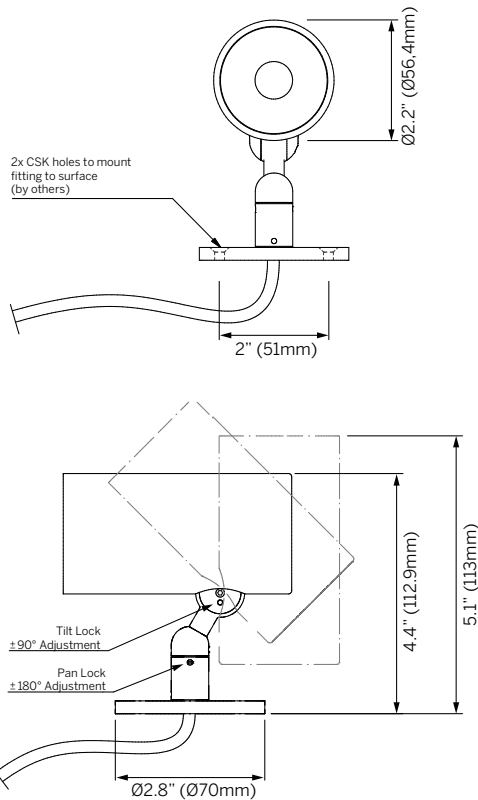
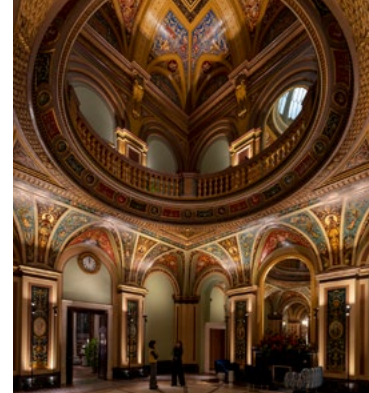


ZTA.50 Surface +Zoom



Framer - Adjustable Beam (17-33.4°)(FRA) or Fixed Beam (53°)(FRF)

Luminaire

- Interior rated spot light with zoomable lens or fixed focus optics.
- Surface, stem or pole clamp mounted.
- Precision machined from 70 - 90% recycled aluminum.
- 95+ CRI with multiple CCTs and optics available.

Mounting

- SM = Surface Mounted
- ST = Stem Mounted¹
- PC = Pole Clamp (clamp only, contact us for custom pole options)¹
- FX = Flex Mounted (180° adjustable surface mounted, swivel arm)¹

Power²

- 4 = 4W (385lm initial at 450mA, 9.4Vf)
- 8 = 8W (798lm initial at 250mA, 34.1Vf)
- 12 = 12W (1513lm initial at 350mA, 36.9Vf)

CCT (95+ CRI)³

- 927 = 2700K
- 930 = 3000K
- 935 = 3500K
- 940 = 4000K

Optic

- Z = Zoom (14° x 48°), 8W Only
- VN1 = Very Narrow 1 (9°), 4W Only
- VN2 = Very Narrow 2 (14°), 8W Only
- VN3 = Very Narrow 3 (17°), 12W Only
- M = Medium (25°), 12W Only
- F = Flood (34°), 12W Only
- WF = Wide Flood (47°), 12W Only
- FRA = Framer Adjustable (17-33.4°). 12W only⁴
- FRF = Framer Fixed (53°). 12W only⁴

Finish (interior always matte black)

- W = Pure White, RAL9010
- BL = Matte Black
- CF = Custom finish, specify RAL

Options^{5,6}

- SCS = Slash Cut Snoot
- SNT = Straight Snoot
- BD = Barn Doors
- GBS = Gobo Single Color, available with Framer (FRA / FRF) optics only
- GBD = Gobo Double Color, available with Framer (FRA / FRF) optics only

Accessories⁵

- CL = Clear Lens
- DL = Diffused Lens
- HCL = Honeycomb Louver
- SOL = Solite Lens
- SHS = Sharp Spread Lens
- SOS = Soft Spread Lens

Remote Driver⁷

- ECO30W-500 = 0-10V EldoLED ECOdrive 30W for 1 fixture
- SOLO50W-500 = 0-10V EldoLED SOLOdrive 50W for 1-2 fixtures (1 per output)
- SOLO100W-500 = 0-10V EldoLED SOLOdrive 100W for 1-4 fixtures (1 per output)

1. See page 5 for details.
 2. Wattage shown is for LED only, system wattage varies depending on driver selected.
 3. See photometric data sheet for delivered lumens.
 4. See page 8 for details. N/A with SCS, SNT and BD. N/A with Flex mounting.
 5. Holds one option or accessory. See options on page 6 and accessories on page 7 for details.
 6. Outside same finish as fixture, inside matte black.
 7. See driver information for details.

Ordering Information

Model	Mounting	Power ²	CRI/ CCT ³	Optic	Finish	Options ^{5,6}	Accessories ⁵	+	Driver ⁷
MS-ZTA50S	SM	4	927	VN1	W	SCS	CL		ECO30W-500 SOLO50W-500 SOLO100W-500
	ST ¹	8	930	VN2	BL	SNT	DL		
	PC ¹		935		CF	BD	HCL		
	FX ¹	12	940	VN3 M F WF FRA ⁴ FRF ⁴		GBS GBD	SOL SHS SOS		
MS-ZTA50SZ (Zoom)		8		Z					

