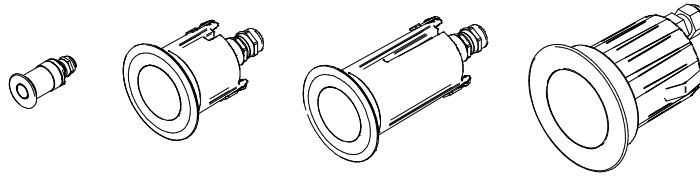
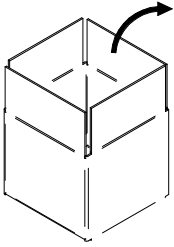
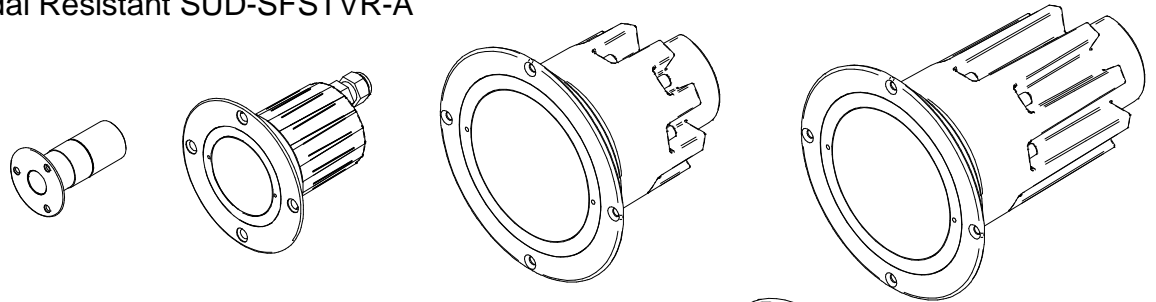
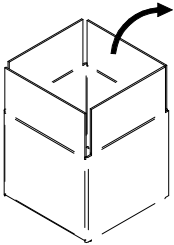


SUELO

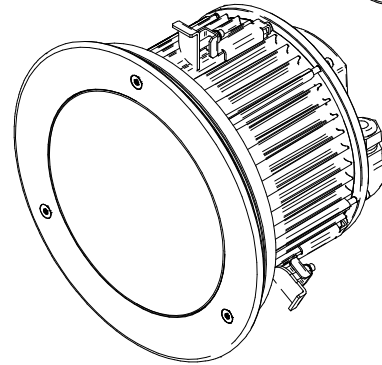
Suelo Fixed SUR-SFST-(F/FHC/FR/WW)
Suelo Adjustable SUR-SFST-A
Suelo PRO Fixed SUP-SFST-(F/FHC/FDL/FR)



Suelo Fixed Vandal Resistant SUR-SFSTVR-(F/FHC/FDL/FR/WW)
Suelo Adjustable Vandal Resistant SUR-SFSTVR-(A/AHC)
Suelo PRO Fixed Vandal Resistant SUP-SFSTVR-(F/FHC/FDL/FR/WW)
Suelo Dual Optic Vandal Resistant SUD-SFSTVR-A



| FIXTURE | OUTER CASING |
|---------------------------------|--------------|
| SUR-SFST-(F/FR) 2W | E84918 |
| SUP-SFST-(F/FHC) 2W | E99684 |
| SUR-SFST-(F/FR/A) 4.2W | E84936 |
| SUR-SFST-WW 4.2W | E84935 |
| SUP-SFST-(F/FHC/FDL) 4.2W | |
| SUR-SFST-(F/FR/FHC/WW/A) 7.2W | E99680 |
| SUR-SFST-F 8W (RGBW) | |
| SUP-SFST-(F/FHC/FDL) 7.2W | E99685 |
| SUP-SFSTVR-(F/FHC) 2W | |
| SUR-SFSTVR-(F/FHC/A) 8W | E98121 |
| SUR-SFSTVR-(F/FHC/A) 9W | |
| SUP-SFSTVR-(F/FHC/FDL) 8W | |
| SUP-SFSTVR-(F/FHC/FDL) 9W | E84933 |
| SUR-SFSTVR-(F/FHC/FDL/WW/A) 13W | |
| SUR-SFSTVR-F 16W (RGBW) | |
| SUP-SFSTVR-(F/FHC/FDL/WW) 15W | E84932 |
| SUR-SFSTVR-(F/FHC/FDL/WW) 30W | |
| SUD-SFSTVR-A 8W | |
| SUR-SFSTVR-(F/FHC/FDL/WW) 30W | E99794 |
| SUD-SFSTVR-A 25W | |



INSTALL PRODUCT IN ACCORDANCE WITH LOCAL AND NATIONAL ELECTRICAL CODES BY A QUALIFIED ELECTRICIAN



FAILURE TO COMPLY WITH THE INSTALLATION INSTRUCTIONS MAY RESULT IN DEATH OR SEVERE INJURY.



READ ALL SAFETY INSTRUCTIONS INCLUDED WITH LUMINAIRE BEFORE INSTALLING LUMINAIRE. SAVE INSTRUCTIONS FOR FUTURE USE.

CAUTION:

THIS IS AN ELECTRONIC DEVICE. CARE MUST BE TAKEN DURING STORAGE AND HANDLING. STORE IN A CLEAN, COOL AND DRY LOCATION. ELECTROSTATIC DISCHARGE (ESD) CAN HARM THIS PRODUCT. AVOID STATIC DISCHARGE WHILE HANDLING THIS PRODUCT.

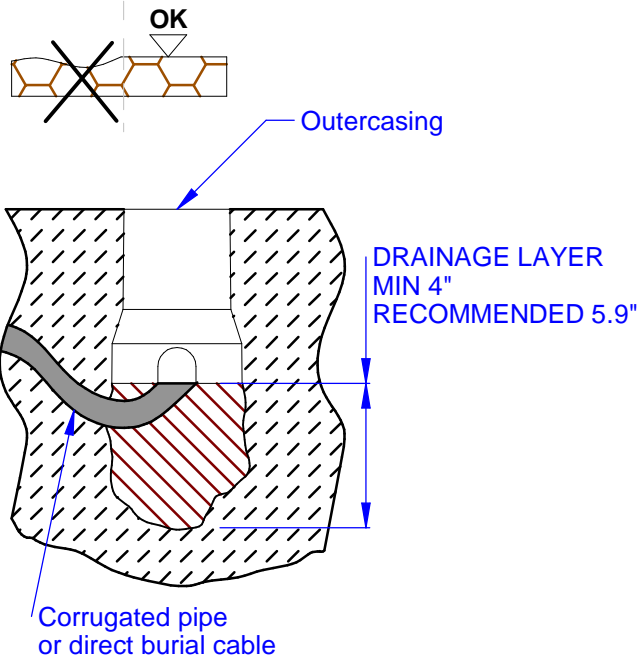
CAUTION:

INTER-LUX IS NOT RESPONSIBLE FOR THE STRUCTURAL INTEGRITY OF THE BUILDING TO SUPPORT THE LUMINAIRE. ADDITIONAL BACKING MAY BE REQUIRED.

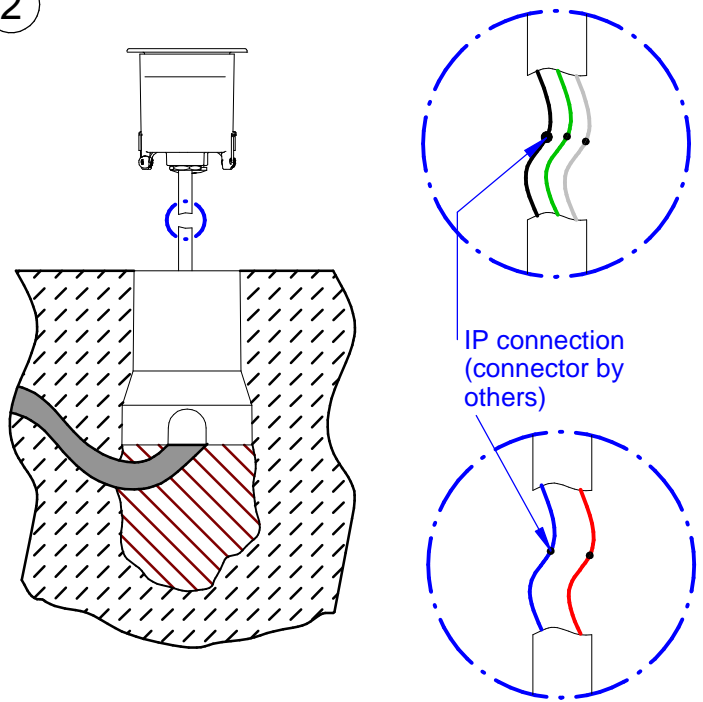
LOCATE AND REVIEW ANY CONSTRUCTION PLANS AND INTER-LUX RECORD DRAWINGS FOR ALL FIXTURE RUNS. IT IS RECOMMENDED TO LOCARE AND LAY OUT ALL COMPONENTS FOR EACH FIXTURE "RUN". A FIXTURE RUN TYPICALLY CONSISTS OF JOINERS, LENGTHS OF HOUSING, AND ENDCAPS. BE SURE TO IDENTIFY ALL CORRECT LENGTHS FOR EACH FIXTURE RUN.

INSTALLATION INSTRUCTIONS

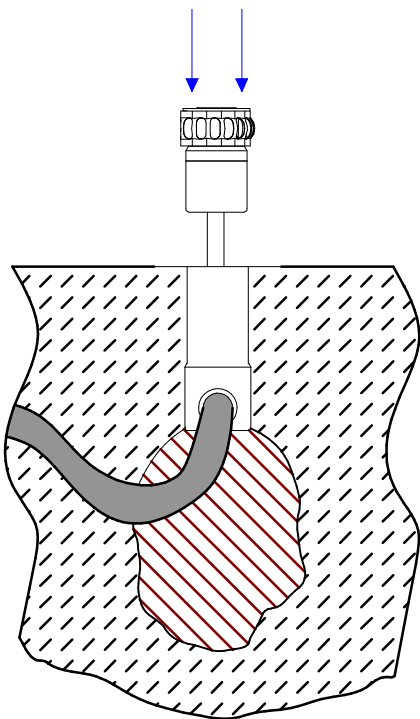
1



2

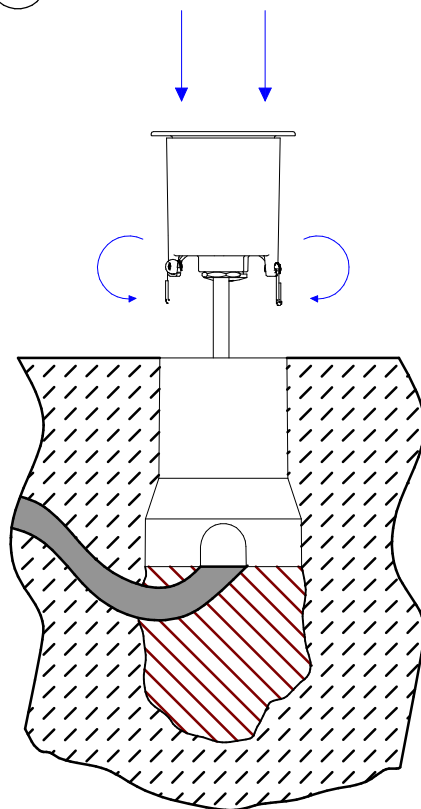


3.A



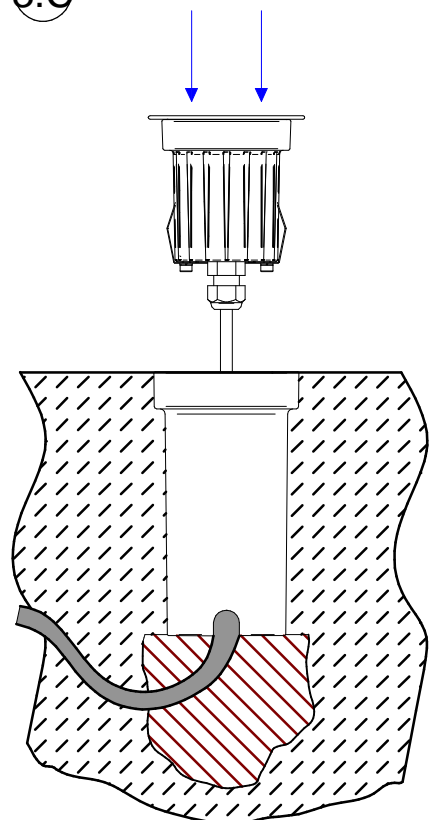
Suelo R 1W / 2W
Suelo PRO R 1W / 2W

3.B



Suelo R 4.2W
Suelo PRO R 4.2W

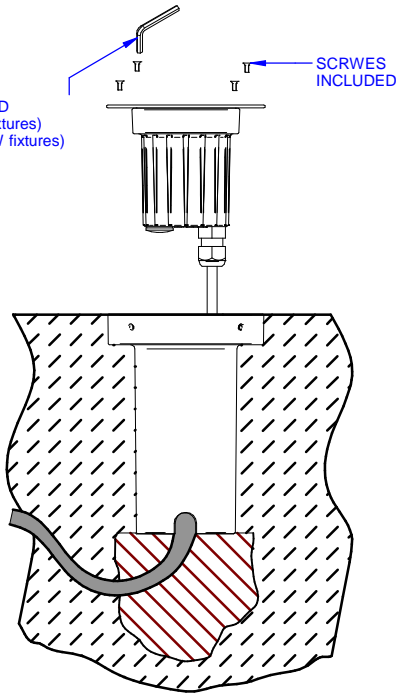
3.C



Suelo R 7.2W
Suelo PRO R 7.2W

3.D

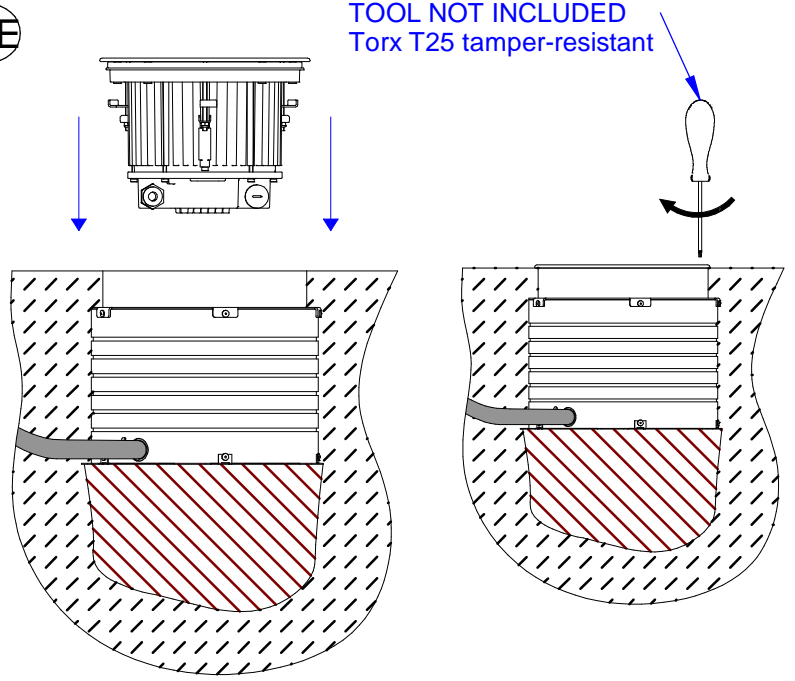
TOOL NOT INCLUDED
2mm Allen key (2W fixtures)
3mm Allen key (8-13W fixtures)



Suelo RX
Suelo PRO RX

3.E

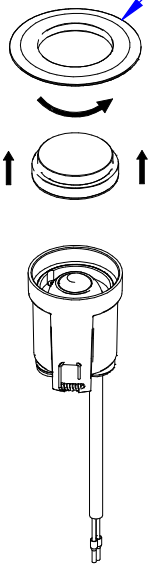
TOOL NOT INCLUDED
Torx T25 tamper-resistant



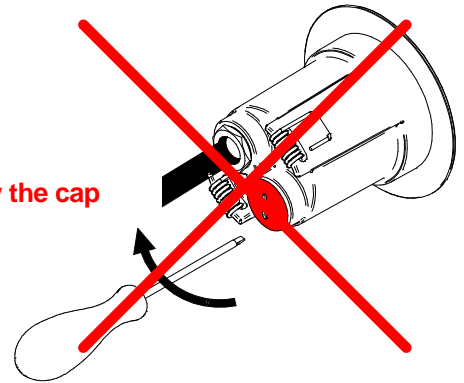
Only for Suelo RX 30W
and Suelo RX double 20W

SUELO ADJUSTABLE

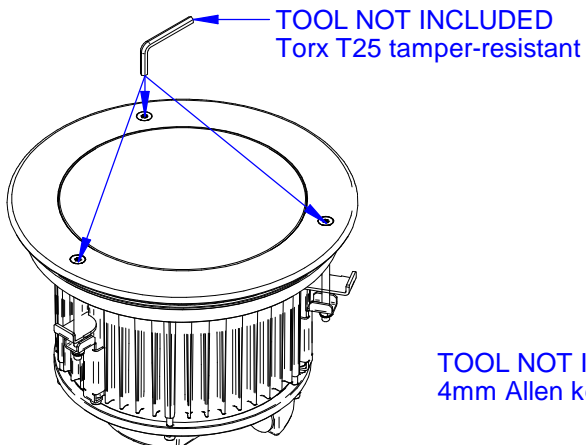
1 **CAUTION!!**
TO PREVENT THREAD DAMAGES
KEEP THE FLANGE PRESSED AGAINST
THE BODY WHILE REMOVING IT.



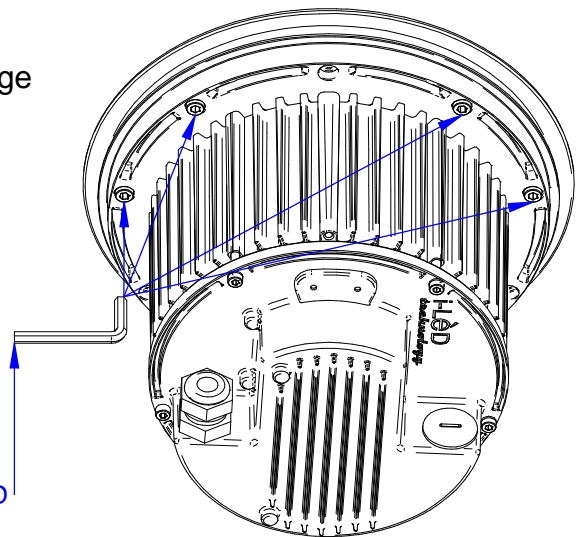
CAUTION!!!
Do not unscrew the cap



Only for Suelo RX 30W and Suelo RX double 20W
Remove the three screws and the locking system
Remove the six screws on the bottom side of the flange
Perform the steps backwards for reassembly

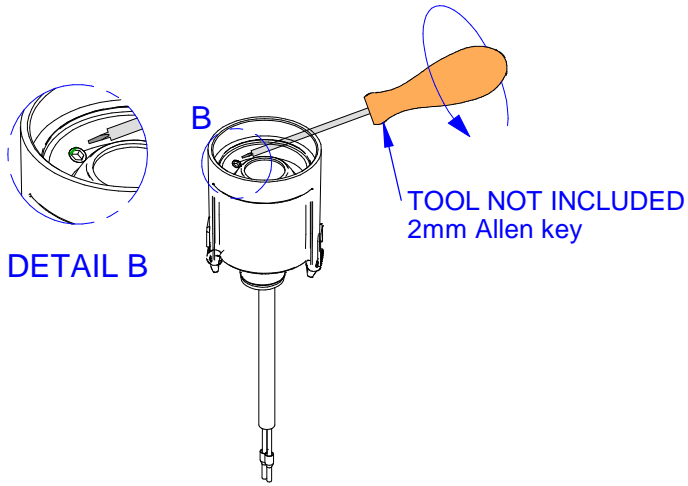


TOOL NOT INCLUDED
4mm Allen key



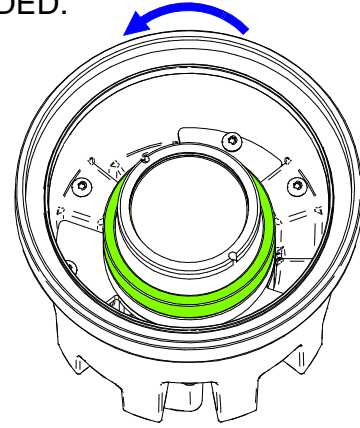
2.A

SLIGHTLY LOOSEN THE GRUB SCREW



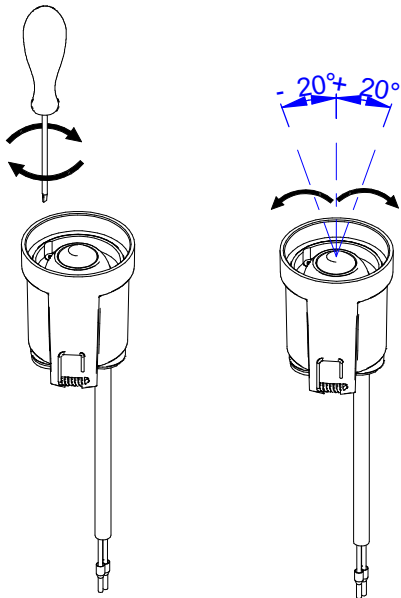
2.B

SLIGHTLY LOOSEN THE GREEN HIGHLIGHTED RING. NO TOOLS NEEDED.



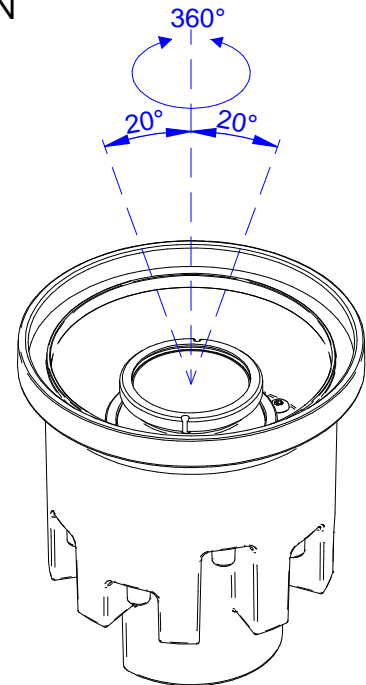
3.A

ADJUST THE OPTICS IN THE DESIRED POSITION



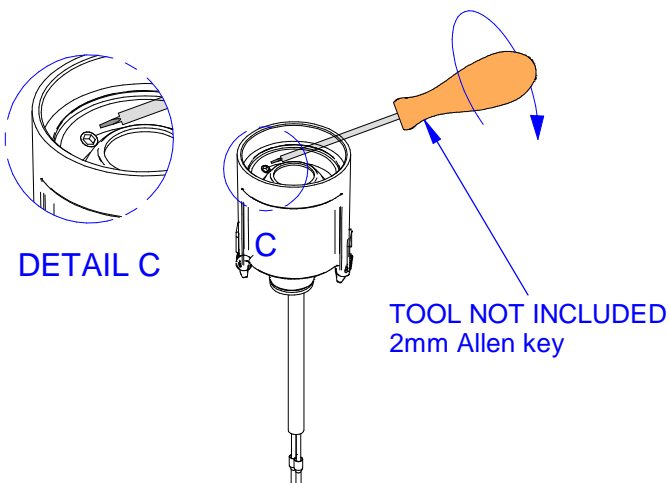
3.B

ADJUST THE OPTICS IN THE DESIRED POSITION



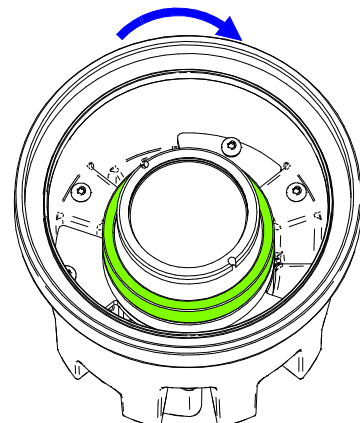
4.A

TIGHTEN THE GRUB SCREW

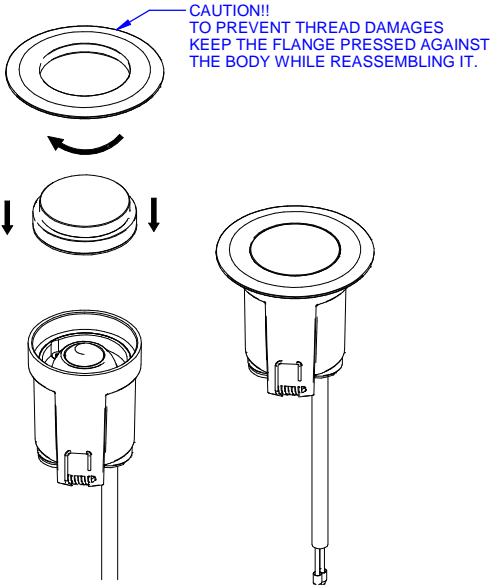


4.B

TIGHTEN THE GREEN HIGHLIGHTED RING. NO TOOLS NEEDED.

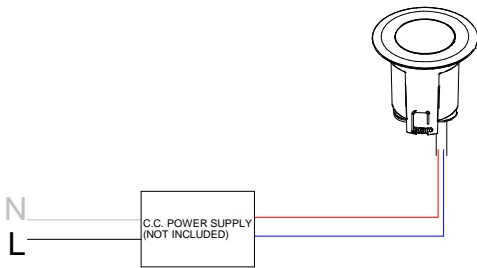


5



WIRING DIAGRAM

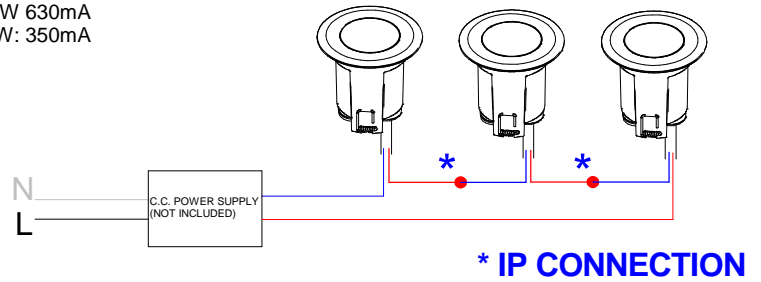
SINGLE SUELO FIXTURE
(REMOTE DRIVER)



MULTIPLE FIXTURES WIRED IN SERIES
(CONSTANT CURRENT WITH REMOTE DRIVER)

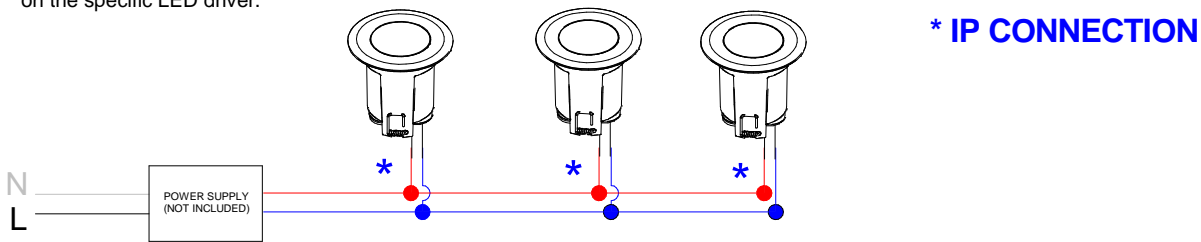
The number of fixtures on a single output will vary depending on the specific LED driver. Refer to the specific wiring diagram on <https://www.inter-lux.com/wiring-diagrams/> and the Constant Current Fixtures per driver table.

- 2W: 630mA
- 4.2W: 350mA
- 7.2W 630mA
- 13W: 350mA

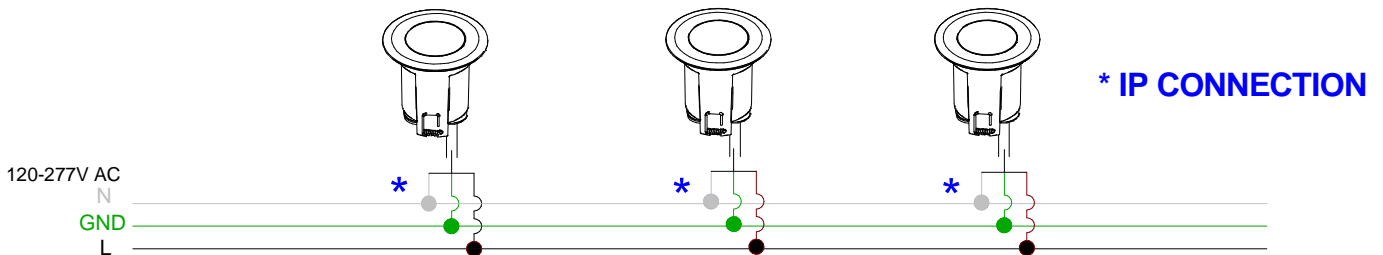


MULTIPLE FIXTURES WIRED IN PARALLEL
(24V CONSTANT VOLTAGE WITH REMOTE DRIVER)

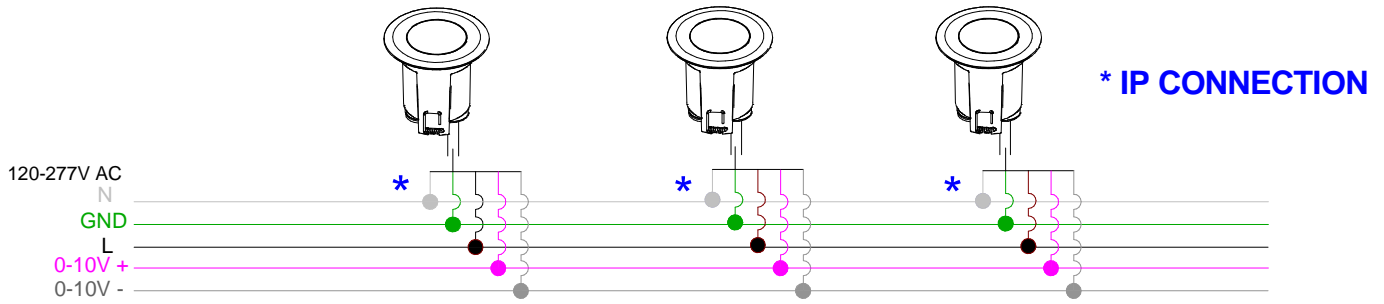
The number of fixtures on a single output will vary depending on the specific LED driver.



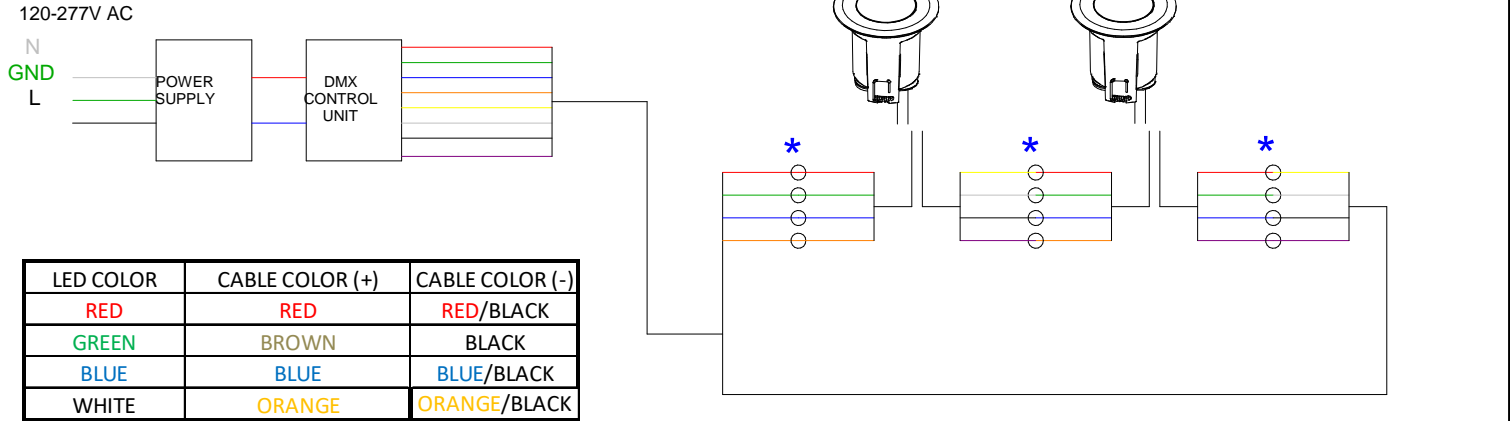
MULTIPLE SUELO FIXTURE (INTEGRAL DRIVER)



MULTIPLE SUELO FIXTURE (0-10V INTEGRAL DRIVER)



RGBW WIRING (DRIVER NOT INCLUDED)



THIS PRODUCT MUST BE INSTALLED IN ACCORDANCE WITH THE APPLICABLE INSTALLATION CODE BY A PERSON FAMILIAR WITH THE CONSTRUCTION AND OPERATION OF THE PRODUCT AND THE HAZARDS INVOLVED

MOUNTING INSTRUCTIONS

READ ALL OF THESE INSTRUCTIONS BEFORE INSTALLING FIXTURES

- CAUTION: USE ONLY WITH CLASS 2 POWER UNIT
- Keep all of the instructions for future reference
- Turn off power before installing fixture
- Installation is to be performed by a qualified electrician only
- All installations must conform to the National Electrical Code as well as all local jurisdictional codes and regulations
- Any modification of the luminaire will void any and all written or implied warranties
- The manufacture accepts no responsibility for damage to persons or property arising through improper use or installation

SUELO INSTALLATION SEQUENCE

- Mount remote driver in accessible well ventilated space
- Ensure power is off before connecting driver to line voltage
- Install the outer casing (1)
- Connect secondary wiring to fixture wiring or mains wiring to mains fixture wiring (2)
- Insert the article into the opening. The fixing method changes depending on the model (3.A) (3.B) (3.C) (3.D) (3.E)
- WARNING: Be sure secondary wiring is connected to driver BEFORE energizing to avoid LED failure
- Energize

ADJUSTABLE OPTIC SETTING SEQUENCE

- Ensure power is off before performing optic setting sequence.
- Remove the flange (1). Follow the advice given next to the images.
- Slightly loosen the grub screw (2.A) or the ring (2.B)
- Adjust the optic using a screwdriver (3.A) or with your hands (3.B)
- Tighten the grub screw (4.A) or the ring (4.B)
- Reassemble the flange (5)
- Perform installation sequence.

| | |
|--------------------------------|-------------|
| Secondary Cable Colours | Pole |
| Red wire | + |
| Blue wire | - |
| Mains Cable Colours | Pole |
| Black wire | L |
| White wire | N |
| Green wire | Ground |
| Purple wire | 0-10V + |
| Grey wire | 0-10V - |

Constant Current Fixtures per Driver

| mA | W | Max. number of fixtures PER OUTPUT (fixtures wired in series) | Max. total fixtures per ECO30W driver (1x output/driver) | Max. total fixtures per SOLO50W driver (2x outputs/driver) | Max. total fixtures per SOLO100W driver (4x outputs/driver) |
|--------|-------|---|--|--|---|
| 180mA | 7.0W | 1 | 1 | 2 | 4 |
| 200mA | 7.5W | 1 | 1 | 2 | 4 |
| 220mA | 0.6W | 10 | 10 | 20 | 40 |
| 220mA | 0.7W | 10 | 10 | 20 | 40 |
| 220mA | 1.9W | 5 | 5 | 10 | 20 |
| 220mA | 8.0W | 1 | 1 | 2 | 4 |
| 220mA | 9.0W | 1 | 1 | 2 | 4 |
| 250mA | 3.0W | 3 | 3 | 6 | 12 |
| 300mA | 12.0W | 1 | 1 | 2 | 4 |
| 350mA | 1.0W | 10 | 10 | 20 | 40 |
| 350mA | 1.5W | 10 | 10 | 20 | 40 |
| 350mA | 3.0W | 5 | 5 | 10 | 20 |
| 350mA | 4.0W | 3 | 3 | 6 | 12 |
| 350mA | 4.2W | 3 | 3 | 6 | 12 |
| 350mA | 12.0W | 1 | 1 | 2 | 4 |
| 350mA | 13.0W | 1 | 1 | 2 | 4 |
| 400mA | 15.0W | 1 | 1 | 2 | 4 |
| 450mA | 16.0W | 1 | 1 | 2 | 4 |
| 500mA | 1.5W | 10 | 10 | 20 | 40 |
| 500mA | 4.5W | 4 | 4 | 8 | 16 |
| 500mA | 6.0W | 3 | 3 | 6 | 12 |
| 500mA | 6.5W | 3 | 3 | 4 | 8 |
| 500mA | 9.0W | 2 | 2 | 4 | 8 |
| 500mA | 13.0W | 1 | 1 | 2 | 4 |
| 500mA | 14.0W | 1 | 1 | 2 | 4 |
| 500mA | 18.0W | 1 | 1 | 2 | 4 |
| 500mA | 20.0W | 1 | 1 | 2 | 4 |
| 570mA | 63.0W | - | - | - | 1 |
| 580mA | 20.0W | 1 | 1 | 2 | 4 |
| 630mA | 2.0W | 10 | 10 | 16 | 32 |
| 630mA | 2.0W | 10 | 10 | 16 | 32 |
| 630mA | 4.0W | 6 | 6 | 10 | 20 |
| 630mA | 6.0W | 3 | 3 | 6 | 12 |
| 630mA | 7.0W | 3 | 3 | 4 | 8 |
| 630mA | 7.2W | 3 | 3 | 4 | 8 |
| 630mA | 7.5W | 3 | 3 | 4 | 8 |
| 630mA | 8.0W | 3 | 3 | 4 | 8 |
| 630mA | 9.0W | 2 | 2 | 4 | 8 |
| 630mA | 12.0W | 2 | 2 | 2 | 4 |
| 630mA | 18.0W | 1 | 1 | 2 | 4 |
| 630mA | 23.0W | 1 | 1 | 1 | 3 |
| 630mA | 24.0W | 1 | 1 | 1 | 3 |
| 660mA | 45.0W | - | - | - | 1 |
| 700mA | 2.0W | 10 | 10 | 16 | 32 |
| 700mA | 6.3W | 3 | 3 | 6 | 12 |
| 700mA | 6.5W | 3 | 3 | 4 | 8 |
| 700mA | 8.0W | 3 | 3 | 4 | 8 |
| 700mA | 13.0W | 1 | 1 | 2 | 4 |
| 700mA | 21.0W | 1 | 1 | 1 | 3 |
| 700mA | 24.0W | 1 | 1 | 1 | 3 |
| 700mA | 25.0W | - | - | 1 | 3 |
| 800mA | 10.0W | 2 | 2 | 2 | 4 |
| 840mA | 30.0W | - | - | 1 | 2 |
| 850mA | 60.0W | - | - | - | 1 |
| 900mA | 33.0W | - | - | 1 | 2 |
| 900mA | 40.0W | - | - | 1 | 2 |
| 900mA | 42.0W | - | - | 1 | 2 |
| 950mA | 34.0W | - | - | 1 | 2 |
| 950mA | 35.0W | - | - | 1 | 2 |
| 1050mA | 48.0W | - | - | - | 1 |
| 1250mA | 45.0W | - | - | - | 1 |
| 1250mA | 46.0W | - | - | - | 1 |
| 1300mA | 46.0W | - | - | - | 1 |
| 1850mA | 54.0W | - | - | - | 1 |

Consult factory for any combination not listed above.