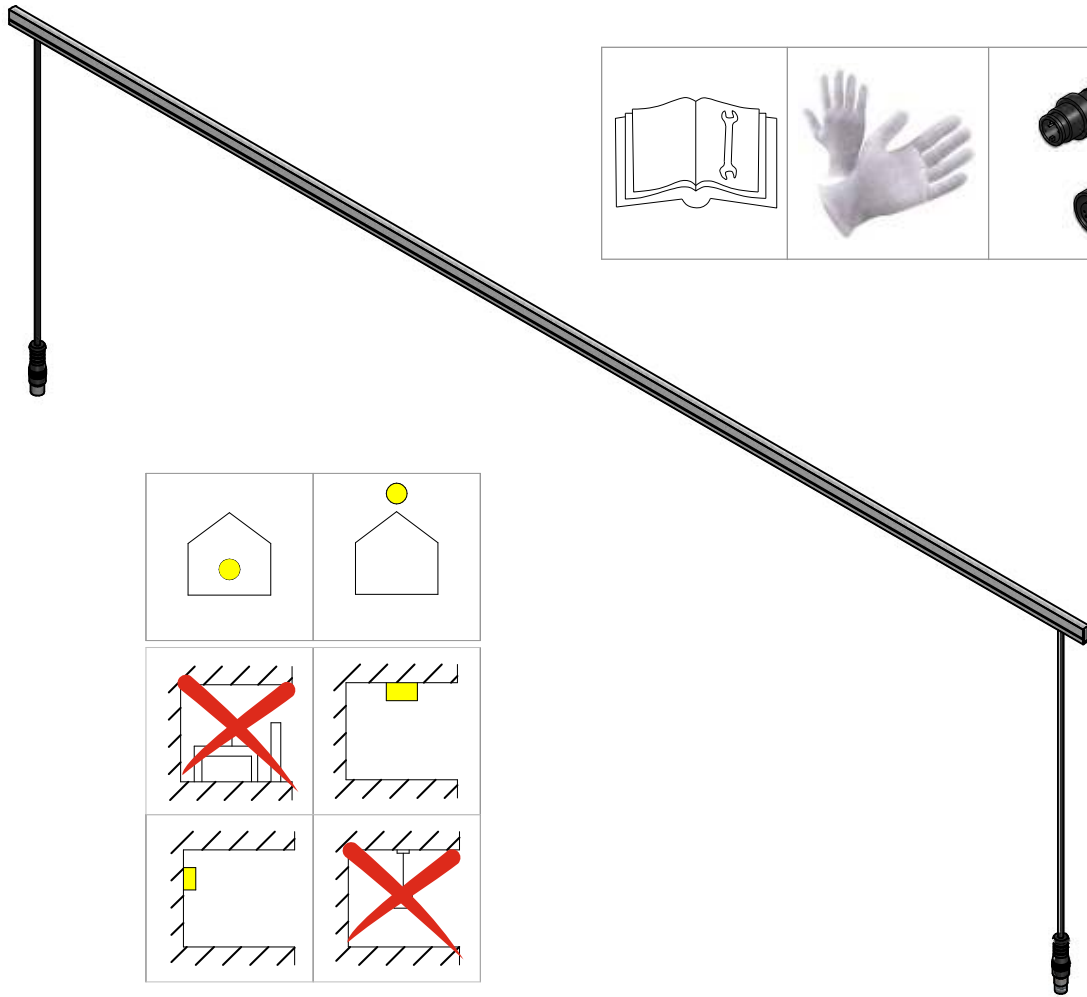


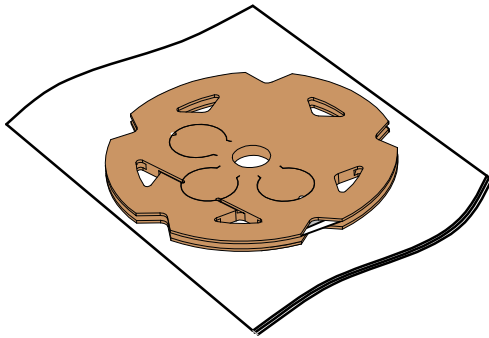


## RUBBER 2D Mini

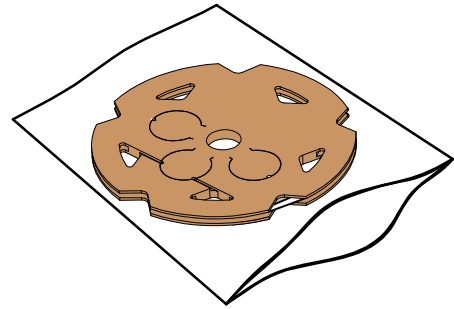


|  |   |   |  |
|--|---|---|--|
| <p><b>WARNING:</b><br/>                 INSTALL PRODUCT IN ACCORDANCE WITH LOCAL AND NATIONAL ELECTRICAL CODES BY A QUALIFIED ELECTRICIAN</p>  | <p><b>WARNING:</b><br/>                 FAILURE TO COMPLY WITH THE INSTALLATION INSTRUCTIONS MAY RESULT IN DEATH OR SEVERE INJURY.</p>  | <p><b>WARNING:</b><br/>                 READ ALL SAFETY INSTRUCTIONS INCLUDED WITH LUMINAIRE BEFORE INSTALLING LUMINAIRE. SAVE INSTRUCTIONS FOR FUTURE USE.</p> | <p style="text-align: center;"><b>Rubber 2D Mini</b></p> <p><i>RUB-WH-2DMS-39-1.8-CV-22-GE (E00463WH-A-DI)</i><br/> <i>RUB-WH-2DMS-39-1.8-CV-27-GE (E00463WH-M-DI)</i><br/> <i>RUB-WH-2DMS-39-1.8-CV-30-GE (E00463WH-W-DI)</i><br/> <i>RUB-WH-2DMS-39-1.8-CV-35-GE (E00463WH-T-DI)</i><br/> <i>RUB-WH-2DMS-39-1.8-CV-40-GE (E00463WH-N-DI)</i></p> <p><i>RUB-WH-2DMS-197-1.8-CV-22-GE (E00464WH-A-DI)</i><br/> <i>RUB-WH-2DMS-197-1.8-CV-27-GE (E00464WH-M-DI)</i><br/> <i>RUB-WH-2DMS-197-1.8-CV-30-GE (E00464WH-W-DI)</i><br/> <i>RUB-WH-2DMS-197-1.8-CV-35-GE (E00464WH-T-DI)</i><br/> <i>RUB-WH-2DMS-197-1.8-CV-40-GE (E00464WH-N-DI)</i></p> <p><i>RUB-WH-2DMS-394-1.8-CV-22-GE (E00465WH-A-DI)</i><br/> <i>RUB-WH-2DMS-394-1.8-CV-27-GE (E00465WH-M-DI)</i><br/> <i>RUB-WH-2DMS-394-1.8-CV-30-GE (E00465WH-W-DI)</i><br/> <i>RUB-WH-2DMS-394-1.8-CV-35-GE (E00465WH-T-DI)</i><br/> <i>RUB-WH-2DMS-394-1.8-CV-40-GE (E00465WH-N-DI)</i></p> |
| <p><b>CAUTION:</b><br/>                 THIS IS AN ELECTRONIC DEVICE. CARE MUST BE TAKEN DURING STORAGE AND HANDLING. STORE IN A CLEAN, COOL AND DRY LOCATION. ELECTROSTATIC DISCHARGE (ESD) CAN HARM THIS PRODUCT. AVOID STATIC DISCHARGE WHILE HANDLING THIS PRODUCT.</p>  | <p><b>CAUTION:</b><br/>                 INTER-LUX IS NOT RESPONSIBLE FOR THE STRUCTURAL INTEGRITY OF THE BUILDING TO SUPPORT THE LUMINAIRE. ADDITIONAL BACKING MAY BE REQUIRED.</p> |   |  |
| <p>LOCATE AND REVIEW ANY CONSTRUCTION PLANS AND INTER-LUX RECORD DRAWINGS FOR ALL FIXTURE RUNS. IT IS RECOMMENDED TO LOCARE AND LAY OUT ALL COMPONENTS FOR EACH FIXTURE "RUN". A FIXTURE RUN TYPICALLY CONSISTS OF JOINERS, LENGHTS OF HOUSING, AND ENDCAPS. BE SURE TO IDENTIFY ALL CORRECT LENGHTS FOR EACH FIXTURE RUN.</p> |   |   |  |

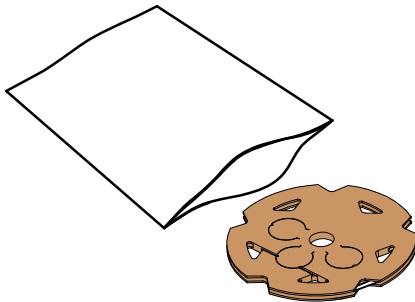
1



2



3

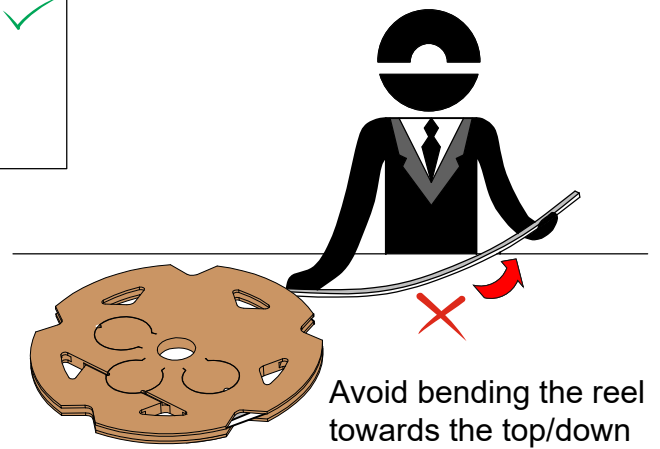
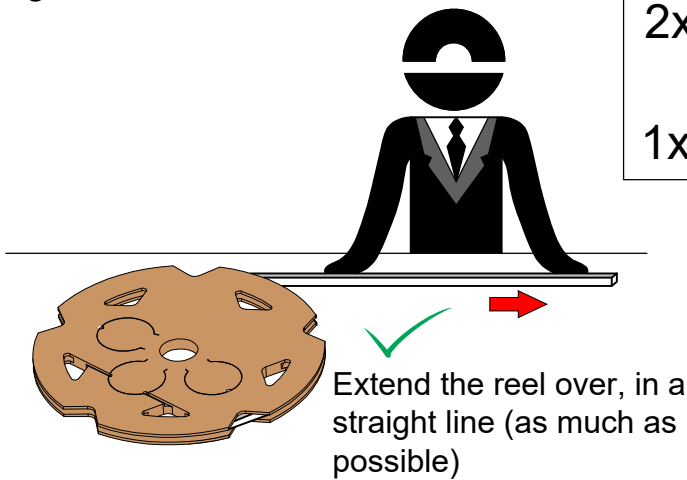
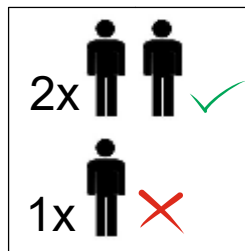


4

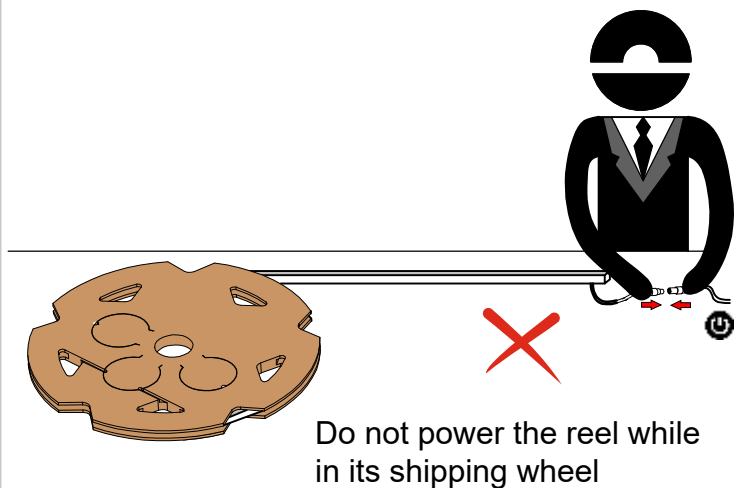
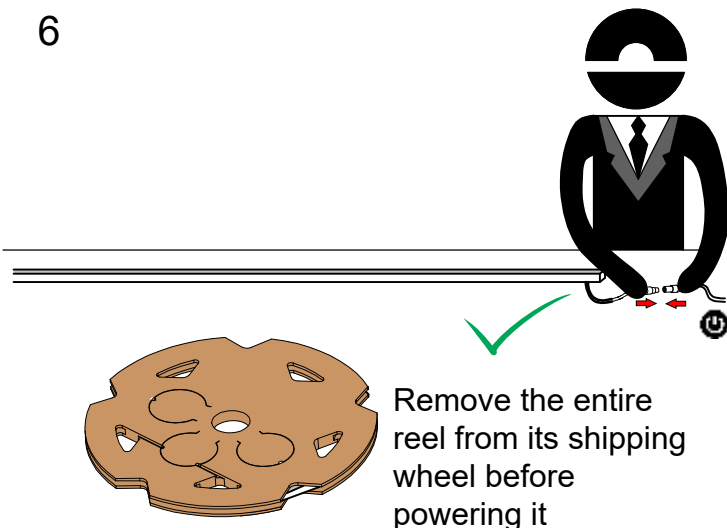


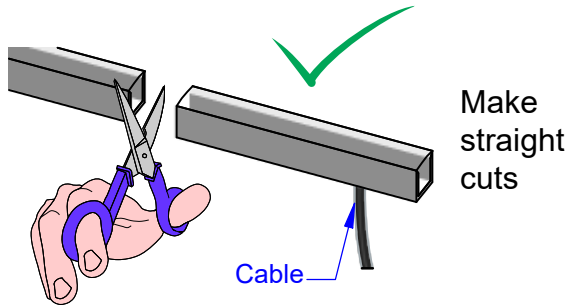
Please wear the provided gloves

5

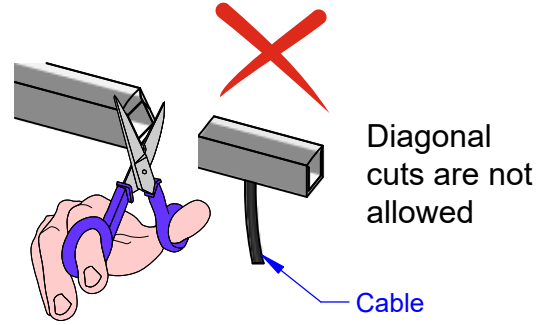


6

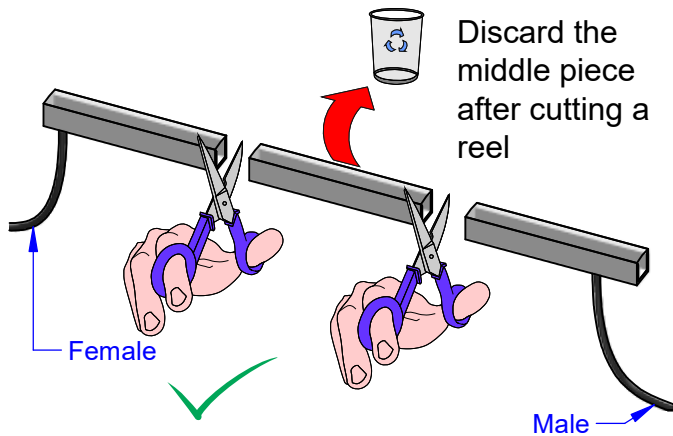




Make straight cuts

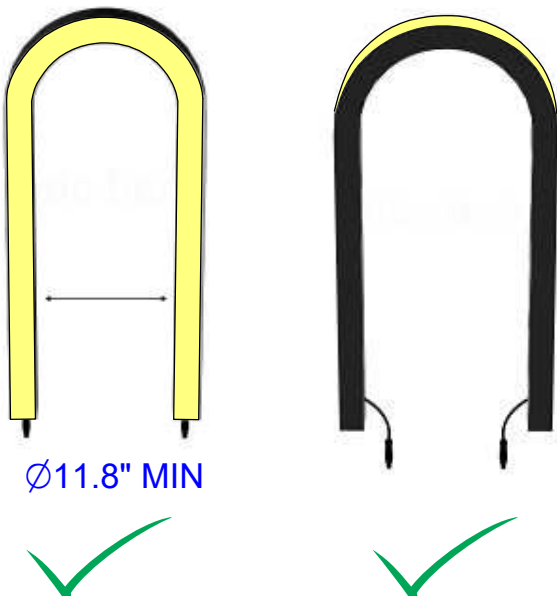


Diagonal cuts are not allowed

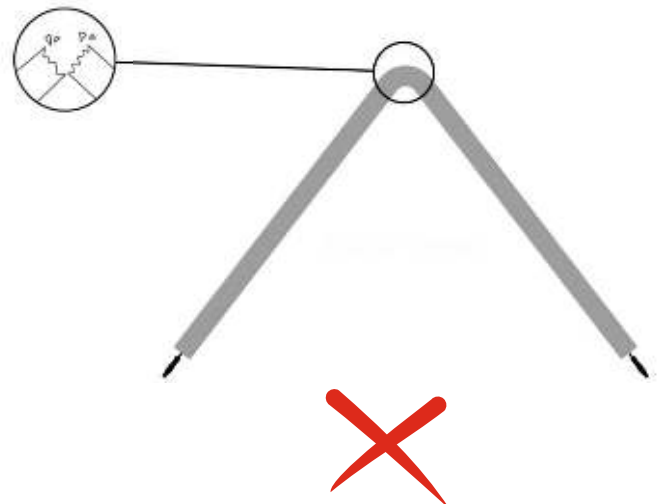


Discard the middle piece after cutting a reel

Minimum bending radius 5.9"

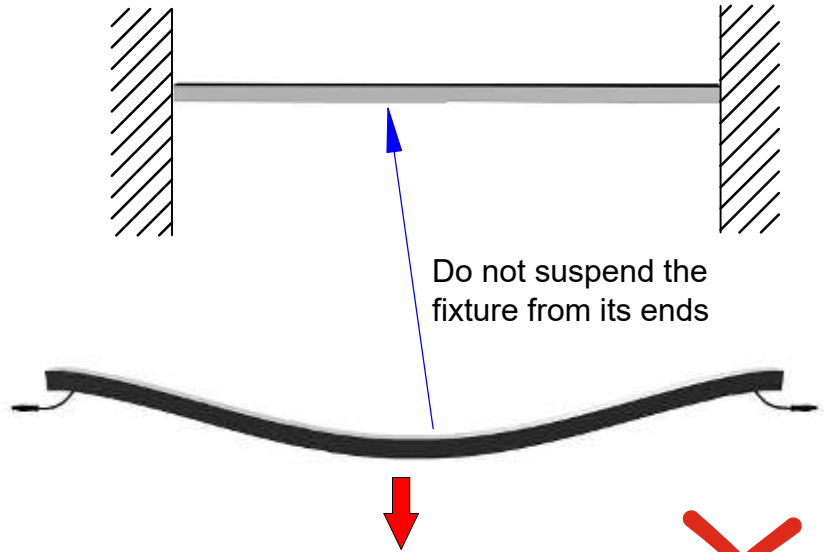


Do not bend the fixture in a radius tighter than 5.9"

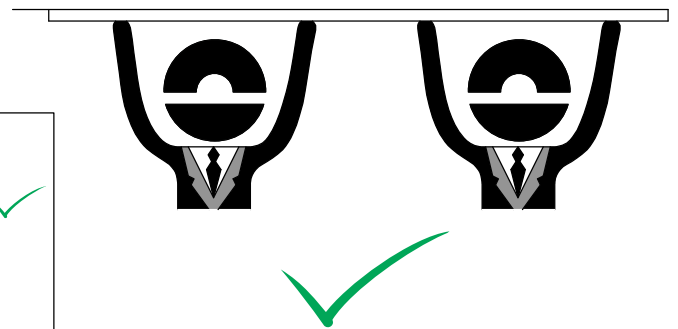
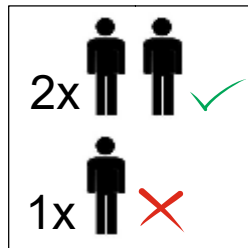
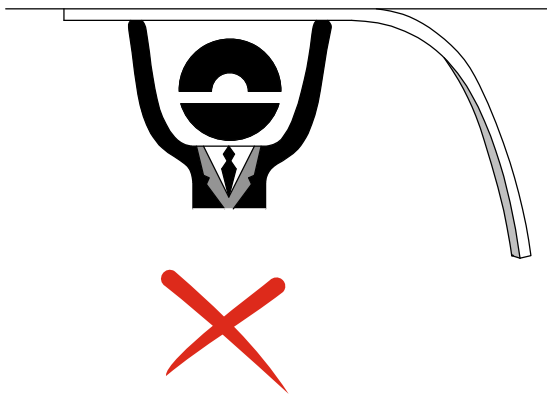




Do not twist the fixture at or close to the cable entry

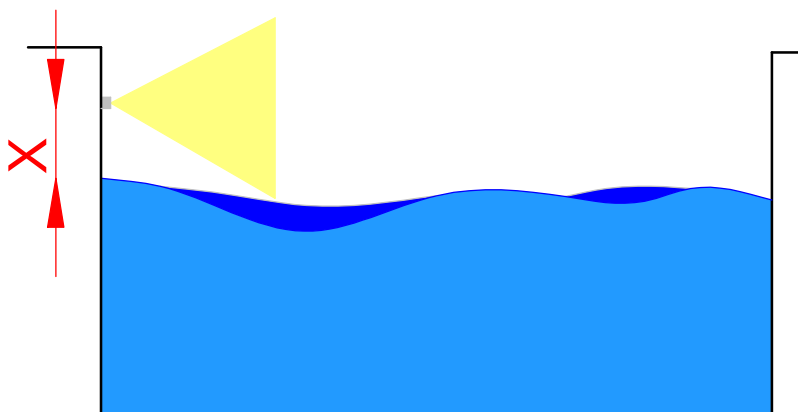


Do not suspend the fixture from its ends

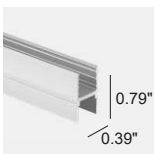


When installing it near water, allow for a minimum of 20" above water level

$X > 20"$



**Mounting Linear profiles and Clips**



**E82846**

Linear Profile (Anodized Alum.)  
 39.37"L x 0.79"H x 0.39"W  
 1000 mm L x 20 mm H - 10 mm W



**E82846**

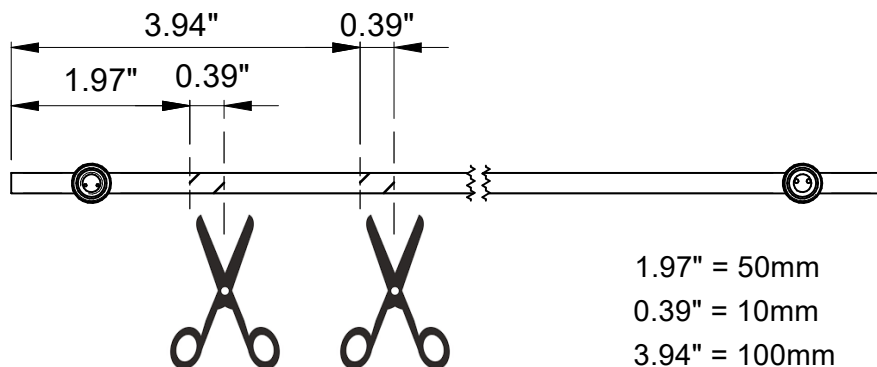
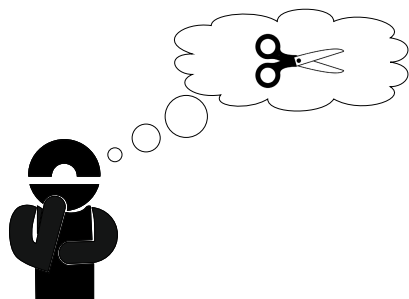
Clip with toothed Spring(Anodized Alum.)  
 2"L x 0.79"H x 0.39"W  
 50 mm L x 20 mm H - 10 mm W

Suggested spacing between clips 4" o.c.



**WARNING!!!**

Read cutting instructions thoroughly before cutting the fixture.  
 You will end up with an unlit section of up to 1.97" if directions are not followed.

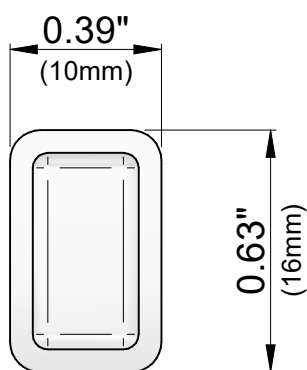


**1. MEASURING AND CUTTING INSTRUCTIONS:**

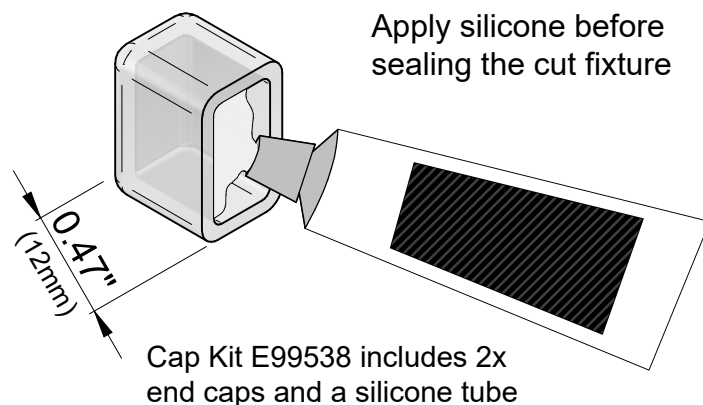
The strip has LED sections every 1.97" (50mm). Cutting sections are marked at the bottom of the reel.

**Cut within the next 0.39" section of a cut mark.**

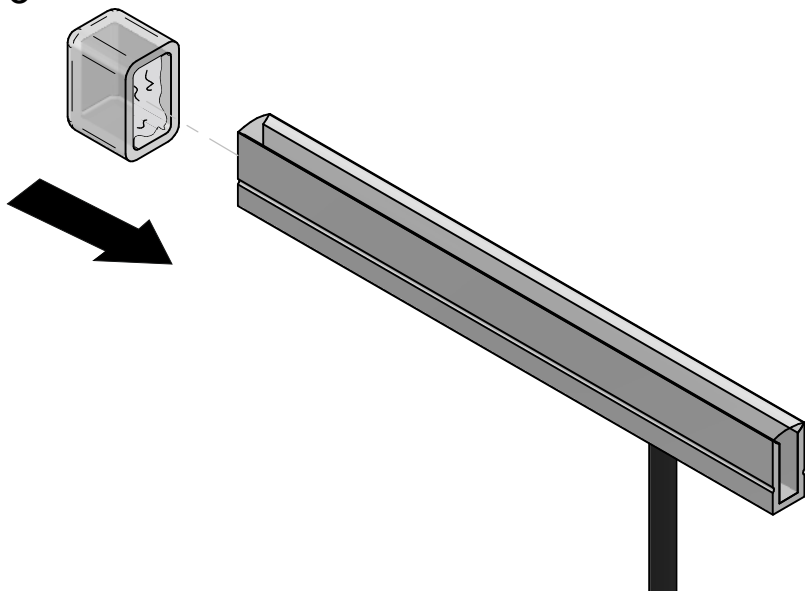
E99538 End cap (ordered separately)



**2**



**3**

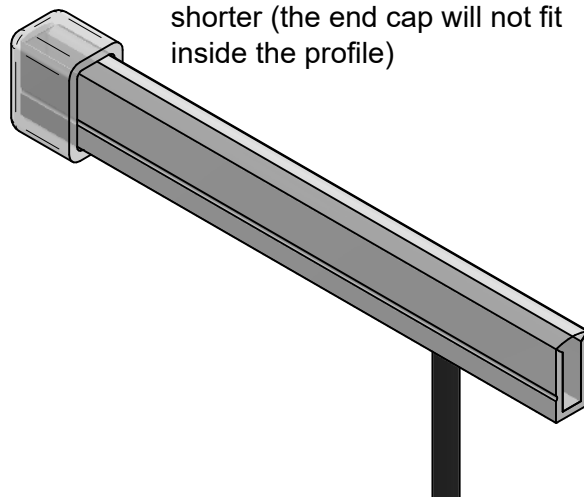


**4**



**Warning!**

If using a mounting profile, the profile needs to be cut 0.5" shorter (the end cap will not fit inside the profile)

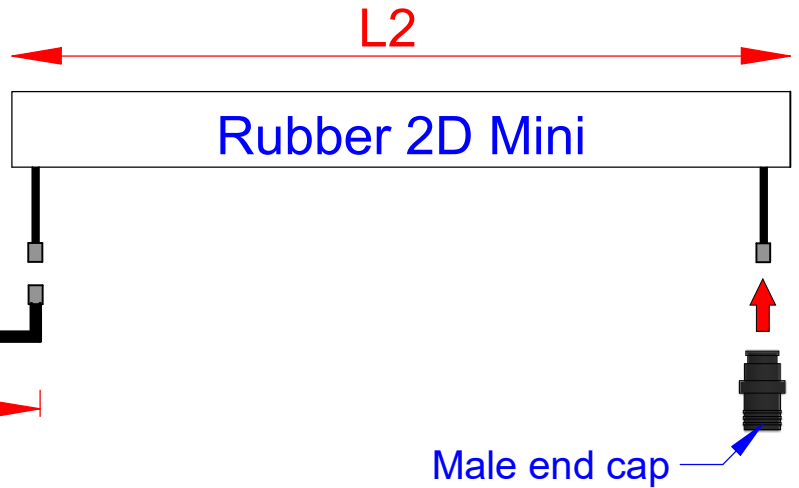


**A** **E-W200002**  
 Female connector  
 Feed cable (78.7")

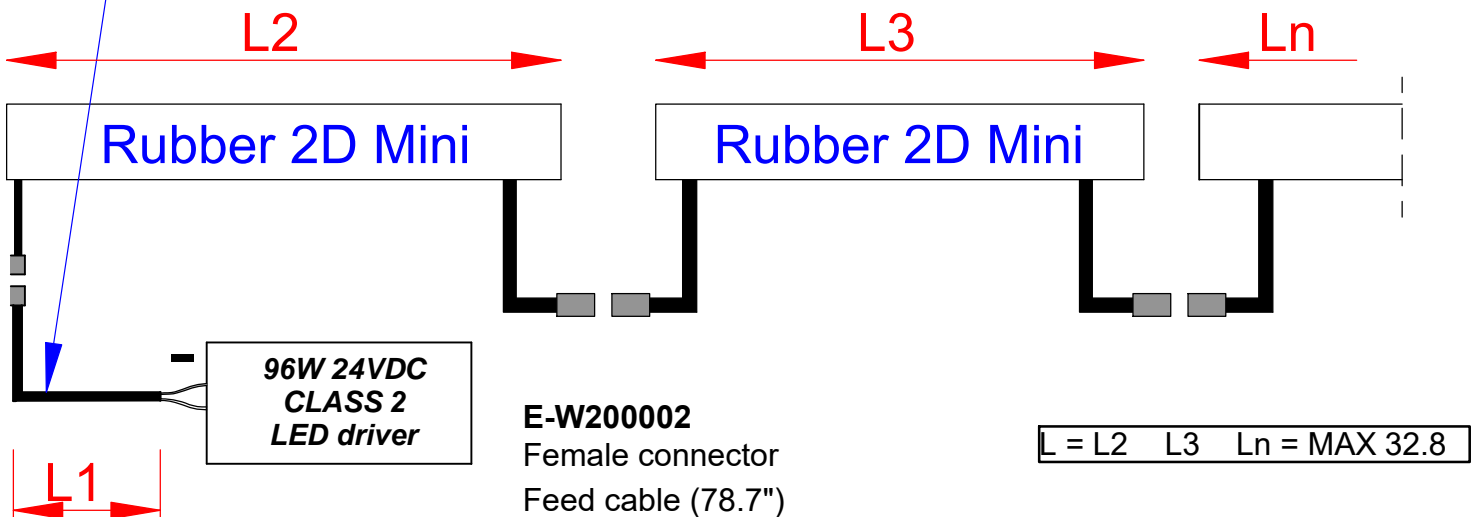
**Feed cable color scheme:**  
 (+) White conductor  
 (-) Clear conductor

#22AWG → L1= 78.7 inch MAX / L2= 32.8 feet MAX

**96W 24VDC  
CLASS 2  
LED driver**



**B** #22AWG → L1= 78.7 inch MAX / L2+L3+Ln = 32.8 feet MAX



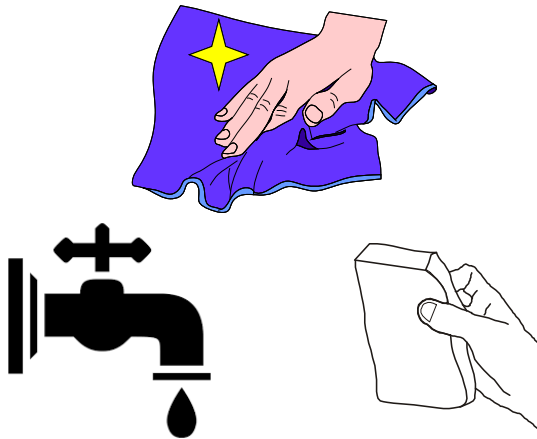
**E-W200002**  
 Female connector  
 Feed cable (78.7")

**L = L2 L3 Ln = MAX 32.8**

**Feed cable color scheme:**  
 (+) White conductor  
 (-) Clear conductor

**Warning!**

- On continuous runs, a dedicated feed-entry point is required per driver, at the start of the first reel powered by each new driver.
- Feed cables are 78.7" long. If a longer distance to the driver is needed, the installer should plan for an appropriate splice for the application, and account for voltage drop.

**LUMINAIRE CARE INSTRUCTIONS  
ISTRUCCIONES PARA LIMPIAR LA LUMINARA  
INSTRUCTIONS POUR LE LAVAGE DE L'APPAREIL D'ECLAIRAGE****EN - WARNING!!!**

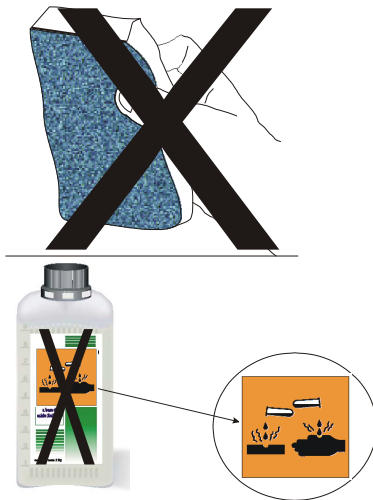
Wipe clean with a cloth dampened in water with neutral detergent.

**ES - ATENCION!!!**

Limpie la superficie del difusor con un paño humedecido con agua y jabón neutro.

**FR - ATTENTION!!!**

Laver la surface du diffuseur de lumiere a l'aide d'un chiffon humide et en utilisant seulement de l'eau et du savon neutre.

**EN - WARNING!!!**

Avoiding the use of chemical solvents and/or abrasive cloths.

**ES - ATENCION!!!**

No utilizar esponjas abrasivas o solventes.

**FR - ATTENTION!!!**

Ne pas utiliser de chiffons abrasifs ou de dissolvants.