



General: Loro is a family of highly performing LED downlights suitable to illuminate both residential and commercial applications.

A curved heat sink makes this down light suitable for shallow ceiling installations, and a chrome-plated, multi-faceted reflector with the addition of a clear diffuser offers a clean beam while keeping low brightness of the luminaire (UGR<19, appropriate for workstations).

Fixture Body: Powder Coated Die-Cast Aluminum

Trim: Bezel, Round or Square.

Mounting: Recessed ceiling.

Dimensions/Weight: Round Trims 3.9" (0.75 lbs) – 5.5" (1.43 lbs) – Square Trims 3.9" (0.77 lbs) – 5.5" (1.43 lbs)

Driver: Remote, 120-277V Dimmable 0-10V or Non-Dim.

Operation: Constant Current (CC)

CC features: Less susceptible to voltage drop (exceeding 32' distance); Allows for dimming down to 0.1%; Fixtures need to be wired in series.

Wattages: 13W@350mA (3.9" Round + Square) – 25W@700mA (5.5" Round + Square)

Cable: Fixture comes with 0.56' of power cable.

IP rating: IP44 (with an IP65 rating of the optical chamber). Fixture is protected against solid objects greater than 0.04" and against water splashes on the fixture trim or lens. Not suitable for Outdoor applications or direct water jets.

ETL Certification: ETL, damp location

Optics: Adjustable with a 35° tilt and a 360° rotation (refer to Loro Fixed spec sheet for Fixed version). Available in Spot – Flood – Wide Flood.

Color temperatures: 2700K – 3000K – 3500K – 4000K.

CRI: 92

Lumen Maintenance: L70 projections tested at Tj 65° C and Ta 25°.

Warranty: 5-year Limited Warranty on fixtures. 1-year Limited Warranty on Remote Drivers.



3.9" (13W)



5.5" (25W)



3.9" (13W)



5.5" (25W)

Round/Square Adjustable Delivered Lumens ¹	3.9" (13W)	5.5" (25W)
SP	1199	2254
FL	1266	2135
WFL	1180	2225

¹Values shown for 3000K

Round/Square Adjustable Honeycomb Louver Delivered Lumens ¹	3.9" (13W)	5.5" (25W)
SP	735	1502
FL	836	1374
WFL	695	1302

¹Values shown for 3000K

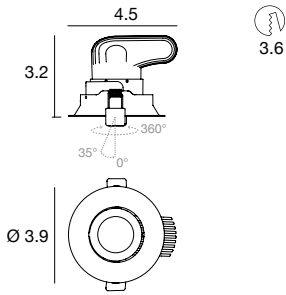
Ordering Information							(Required) ²	
Product	Trim/Finish	Type	Diameter	Wattage/Operation	Color Temp	Optic	+	Driver
LOR = Loro	RWH = Round White RBL = Round Black RGR = Round Gray RGO = Round Gold SWH = Square White SBL = Square Black SGR = Square Gray SGO = Square Gold	A = Adjustable AHC = Adjustable HoneyComb	39 = 3.9"	13 CC = 13W / Constant Current (350mA)	92-27 = 2700K 92-30 = 3000K 92-35 = 3500K 92-40 = 4000K	SP = Spot FL = Flood WFL = Wide Flood	+	ECO30W-XXX SOLO50W-XXX SOLO100W-XXX
			55 = 5.5"	25 CC = 25W / Constant Current (700mA)				

² See page 2

Loro Adjustable

ROUND

3.9" 13W 350mA



DRIVER OPTIONS (pick one)

C.C. Power supply options (remote only)

ECO30W-350

0-10V EldoLED
ECOdrive 30W
for 1 fixture

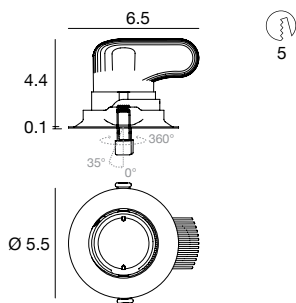
SOLO50W-350

0-10V EldoLED
SOLOdrive 50W
for 1-2 fixtures

SOLO100W-350

0-10V EldoLED
SOLOdrive 100W
for 1-4 fixtures

5.5" 25W 700mA



DRIVER OPTIONS (pick one)

C.C. Power supply options (remote only)

SOLO50W-700

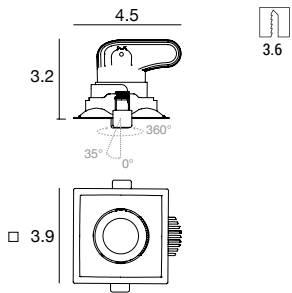
0-10V EldoLED
SOLOdrive 50W
for 1 fixture

SOLO100W-700

0-10V EldoLED
SOLOdrive 100W
for 1-3 fixtures

SQUARE

3.9" 13W 350mA



DRIVER OPTIONS (pick one)

C.C. Power supply options (remote only)

ECO30W-350

0-10V EldoLED
ECOdrive 30W
for 1 fixture

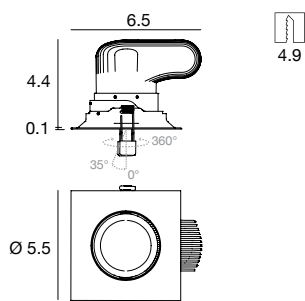
SOLO50W-350

0-10V EldoLED
SOLOdrive 50W
for 1-2 fixtures

SOLO100W-350

0-10V EldoLED
SOLOdrive 100W
for 1-4 fixtures

5.5" 25W 700mA



DRIVER OPTIONS (pick one)

C.C. Power supply options (remote only)

SOLO50W-700

0-10V EldoLED
SOLOdrive 50W
for 1 fixture

SOLO100W-700

0-10V EldoLED
SOLOdrive 100W
for 1-3 fixtures