



Contents

- 2 product configurator
- 3 diagrams / drivers

General: Loro is a family of highly performing LED downlights suitable to illuminate both residential and commercial applications. A curved heat sink makes this down light suitable for shallow ceiling installations, and a chrome-plated, multi-facetted reflector with the addition of a clear diffuser offers a clean beam while keeping low brightness of the luminaire (UGR<19, appropriate for workstations).

Fixture Body: Powder Coated Die-cast Aluminum

Trim: Bezel, Round or Square.

Mounting: Recessed ceiling.

Dimensions/Weight: Round Trims 3.0" (0.57 lbs) – 4.1" (1.50 lbs) – Square Trims 2.8" (0.57 lbs) – 3.9" (1.50 lbs)

Driver: Remote, 120-277V Dimmable 0-10V or Non-Dim.

Operation: Constant Current (CC)

CC features: Less susceptible to voltage drop (exceeding 32' distance); Allows for dimming down to 0.1%; Fixtures need to be wired in series.

Wattages: 13W (3" Round + 2.8" Square) – 25W (3.9" Round + 4.1" Square)

Cable: Fixture comes with 0.56' of power cable.

IP rating: IP44 (with an IP65 rating of the optical chamber). Fixture is protected against solid objects greater than 0.04" and against water splashes on the fixture trim or lens. Not suitable for Outdoor applications or direct water jets.

ETL Certification: ETL, damp location

Optics: Fixed (refer to Loro Adjustable spec sheet for Adjustable version). Available in Spot – Narrow Flood – Flood – Medium Wide Flood – Wide Flood. Some variants can also mount Honeycomb louver.

Color temperatures: 2700K – 3000K – 3500K – 4000K.

CRI: 92

Lumen Maintenance: L70 projections tested at Tj 65° C and Ta 25°.

Warranty: 5-year Limited Warranty on fixtures. 1-year Limited Warranty on Remote Drivers.



3.0" (13W)



4.1" (25W)



2.8" (13W)



3.9" (25W)

Round/Square Fixed Delivered Lumens*	3.0"/2.8" (13W)	4.1"/3.9" (25W)
SP	1199	2254
NFL	1266	-
FL	877	2135
MWFL	1180	1747
WFL	-	2225

*Values shown for 3000K

Round/Square Fixed Honeycomb Louver Delivered Lumens*	3.0"/2.8" (13W)	4.1"/3.9" (25W)
SP	735	1502
NFL	836	1375
FL	695	-
MWFL	-	1302

*Values shown for 3000K

Loro Fixed

ROUND

Ordering Information							(Required)	
Product	Trim/Finish	Type	Diameter	Wattage/Operation	Color Temp	Optic	+	Driver
LOR = Loro	RWH = Round White RBL = Round Black RGR = Round Gray RGO = Round Gold	F = Fixed	30 = 3.0"	13 CC = 13W / Constant Current (350mA)	92-27 = 2700K 92-30 = 3000K 92-35 = 3500K 92-40 = 4000K	SP = Spot (18°) NFL = Narrow Flood (23°) FL = Flood (40°)(with Aesthetic Filter) MWFL = Medium Wide Flood (47°)	+	ECO30W-XXX SOLO50W-XXX SOLO100W-XXX
		FHC = Fixed HoneyComb	30 = 3.0"	13 CC = 13W / Constant Current (350mA)	92-27 = 2700K 92-30 = 3000K 92-35 = 3500K 92-40 = 4000K	SP = Spot (18°) NFL = Narrow Flood (20°) FL = Flood (38°)		

Ordering Information							(Required)	
Product	Trim/Finish	Type	Diameter	Wattage/Operation	Color Temp	Optic	+	Driver
LOR = Loro	RWH = Round White RBL = Round Black RGR = Round Gray RGO = Round Gold	F = Fixed	41 = 4.1"	25 CC = 25W / Constant Current (700mA)	92-27 = 2700K 92-30 = 3000K 92-35 = 3500K 92-40 = 4000K	SP = Spot (15°) FL = Flood (34°) MWFL = Medium Wide Flood (52°) (with Aesthetic Filter) WFL = Wide Flood (56°)	+	ECO30W-XXX SOLO50W-XXX SOLO100W-XXX
		FHC = Fixed HoneyComb	41 = 4.1"	25 CC = 25W / Constant Current (700mA)	92-27 = 2700K 92-30 = 3000K 92-35 = 3500K 92-40 = 4000K	SP = Spot (16°) NFL = Narrow Flood (29°) MWFL = Medium Wide Flood (44°)		

SQUARE

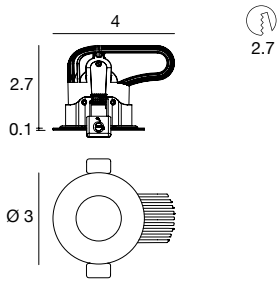
Ordering Information							(Required)	
Product	Trim/Finish	Type	Diameter	Wattage/Operation	Color Temp	Optic	+	Driver
LOR = Loro	SWH = Square White SBL = Square Black SGR = Square Gray SGO = Square Gold	F = Fixed	28 = 2.8"	13 CC = 13W / Constant Current (350mA)	92-27 = 2700K 92-30 = 3000K 92-35 = 3500K 92-40 = 4000K	SP = Spot (18°) NFL = Narrow Flood (23°) FL = Flood (40°)(with Aesthetic Filter) MWFL = Medium Wide Flood (47°)	+	ECO30W-XXX SOLO50W-XXX SOLO100W-XXX
		FHC = Fixed HoneyComb	28 = 2.8"	13 CC = 13W / Constant Current (350mA)	92-27 = 2700K 92-30 = 3000K 92-35 = 3500K 92-40 = 4000K	SP = Spot (18°) NFL = Narrow Flood (20°) FL = Flood (38°)		

Ordering Information							(Required)	
Product	Trim/Finish	Type	Diameter	Wattage/Operation	Color Temp	Optic	+	Driver
LOR = Loro	SWH = Square White SBL = Square Black SGR = Square Gray SGO = Square Gold	F = Fixed	39 = 3.9"	25 CC = 25W / Constant Current (700mA)	92-27 = 2700K 92-30 = 3000K 92-35 = 3500K 92-40 = 4000K	SP = Spot (15°) FL = Flood (34°) MWFL = Medium Wide Flood (52°) (with Aesthetic Filter) WFL = Wide Flood (56°)	+	ECO30W-XXX SOLO50W-XXX SOLO100W-XXX
		FHC = Fixed HoneyComb	39 = 3.9"	25 CC = 25W / Constant Current (700mA)	92-27 = 2700K 92-30 = 3000K 92-35 = 3500K 92-40 = 4000K	SP = Spot (16°) NFL = Narrow Flood (29°) MWFL = Medium Wide Flood (44°)		

Loro Fixed

ROUND

3.0" 13W 350mA

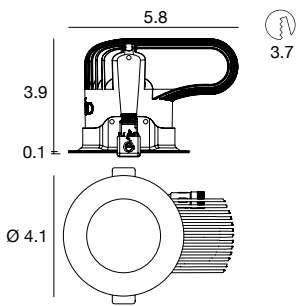


DRIVER OPTIONS (pick one)

C.C. Power supply options (remote only)

ECO30W-350	SOLO50W-350	SOLO100W-350
0-10V EldoLED ECOdrive 30W for 1 fixture	0-10V EldoLED SOLOdrive 50W for 1-2 fixtures	0-10V EldoLED SOLOdrive 100W for 1-4 fixtures

4.1" 25W 700mA



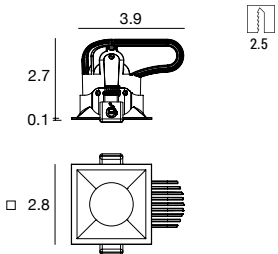
DRIVER OPTIONS (pick one)

C.C. Power supply options (remote only)

SOLO50W-700	SOLO100W-700
0-10V EldoLED SOLOdrive 50W for 1 fixture	0-10V EldoLED SOLOdrive 100W for 1-3 fixtures

SQUARE

2.8" 13W 350mA

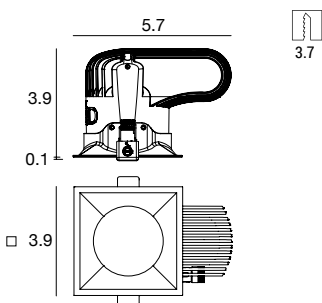


DRIVER OPTIONS (pick one)

C.C. Power supply options (remote only)

ECO30W-350	SOLO50W-350	SOLO100W-350
0-10V EldoLED ECOdrive 30W for 1 fixture	0-10V EldoLED SOLOdrive 50W for 1-2 fixtures	0-10V EldoLED SOLOdrive 100W for 1-4 fixtures

3.9" 25W 700mA



DRIVER OPTIONS (pick one)

C.C. Power supply options (remote only)

SOLO50W-700	SOLO100W-700
0-10V EldoLED SOLOdrive 50W for 1 fixture	0-10V EldoLED SOLOdrive 100W for 1-3 fixtures