



General: Loro is a family of highly performing LED downlights suitable to illuminate both residential and commercial applications.

A curved heat sink makes this down light suitable for shallow ceiling installations, and a chrome-plated, multi-faceted reflector with the addition of a clear diffuser offers a clean beam while keeping low brightness of the luminaire (UGR<19, appropriate for workstations).

Fixture Body: Powder Coated Die-cast Aluminum

Trim: Bezel, Round or Square.

Mounting: Recessed ceiling.

Dimensions/Weight: Round Trims 3.0" (0.57 lbs) – 4.1" (1.50 lbs) – Square Trims 2.8" (0.57 lbs) – 3.9" (1.50 lbs)

Driver: Remote, 120-277V Dimmable 0-10V or Non-Dim.

Operation: Constant Current (CC)

CC features: Less susceptible to voltage drop (exceeding 32' distance); Allows for dimming down to 0.1%; Fixtures need to be wired in series.

Wattages: 13W (3" Round + 2.8" Square) – 25W (3.9" Round + 4.1" Square)

Cable: Fixture comes with 0.56' of power cable.

IP rating: IP44 (with an IP65 rating of the optical chamber). Fixture is protected against solid objects greater than 0.04" and against water splashes on the fixture trim or lens. Not suitable for Outdoor applications or direct water jets.

ETL Certification: ETL, damp location

Optics: Fixed (refer to Loro Adjustable spec sheet for Adjustable version). Available in Spot – Flood – Medium Wide Flood. Some variants can also mount Honeycomb louver.

Color temperatures: 2700K – 3000K – 3500K – 4000K.

CRI: 92

Lumen Maintenance: L70 projections tested at Tj 65° C and Ta 25°.

Warranty: 5-year Limited Warranty on fixtures. 1-year Limited Warranty on Remote Drivers.



3.0" (13W)



4.1" (25W)



2.8" (13W)



3.9" (25W)

Round/Square Fixed Delivered Lumens*	3.0"/2.8" (13W)	4.1"/3.9" (25W)
SP	1199	2254
FL	1266	2135
WFL	1180	2225

*Values shown for 3000K

Round/Square Fixed Honeycomb Louver Delivered Lumens*	3.0"/2.8" (13W)	4.1"/3.9" (25W)
SP	735	1502
FL	836	1375
WFL	695	1302

*Values shown for 3000K

Ordering Information							(Required) ¹
Product	Trim/Finish	Type	Diameter	Wattage/Operation	Color Temp	Optic	Driver
LOR = Loro	RWH = Round White RBL = Round Black RGR = Round Gray RGO = Round Gold	F = Fixed FHC = Fixed HoneyComb	30 = 3.0" 41 = 4.1"	13 CC = 13W / Constant Current (350mA) 25 CC = 25W / Constant Current (700mA)	92-27 = 2700K 92-30 = 3000K 92-35 = 3500K 92-40 = 4000K	SP = Spot FL = Flood WFL = Wide Flood	ECO30W-XXX SOLO50W-XXX SOLO100W-XXX
	SWH = Square White SBL = Square Black SGR = Square Gray SGO = Square Gold	F = Fixed FHC = Fixed HoneyComb	28 = 2.8" 39 = 3.9"	13 CC = 13W / Constant Current (350mA) 25 CC = 25W / Constant Current (700mA)			

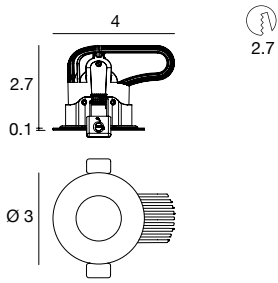
¹ See page 2



Loro Fixed

ROUND

3.0" 13W 350mA



DRIVER OPTIONS (pick one)

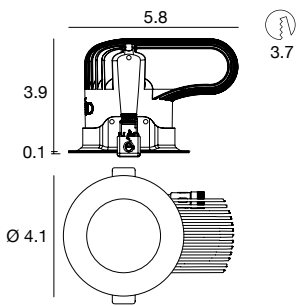
C.C. Power supply options (remote only)

ECO30W-350
0-10V EldoLED
ECOdrive 30W
for 1 fixture

SOLO50W-350
0-10V EldoLED
SOLOdrive 50W
for 1-2 fixtures

SOLO100W-350
0-10V EldoLED
SOLOdrive 100W
for 1-4 fixtures

4.1" 25W 700mA



DRIVER OPTIONS (pick one)

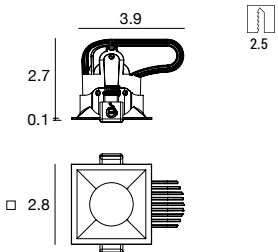
C.C. Power supply options (remote only)

SOLO50W-700
0-10V EldoLED
SOLOdrive 50W
for 1 fixture

SOLO100W-700
0-10V EldoLED
SOLOdrive 100W
for 1-3 fixtures

SQUARE

2.8" 13W 350mA



DRIVER OPTIONS (pick one)

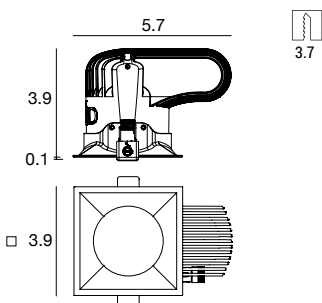
C.C. Power supply options (remote only)

ECO30W-350
0-10V EldoLED
ECOdrive 30W
for 1 fixture

SOLO50W-350
0-10V EldoLED
SOLOdrive 50W
for 1-2 fixtures

SOLO100W-350
0-10V EldoLED
SOLOdrive 100W
for 1-4 fixtures

3.9" 25W 700mA



DRIVER OPTIONS (pick one)

C.C. Power supply options (remote only)

SOLO50W-700
0-10V EldoLED
SOLOdrive 50W
for 1 fixture

SOLO100W-700
0-10V EldoLED
SOLOdrive 100W
for 1-3 fixtures