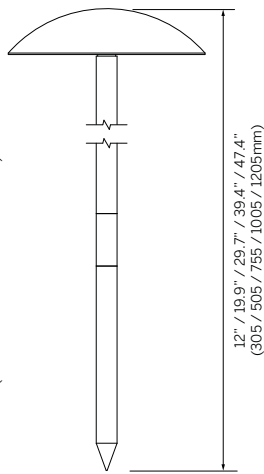
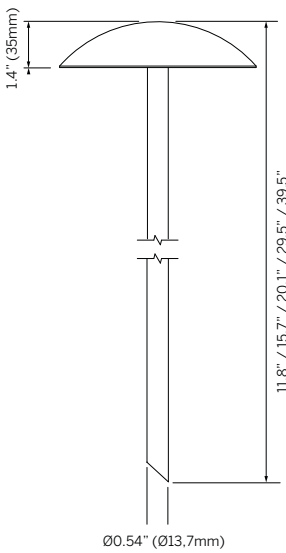


Mushroom

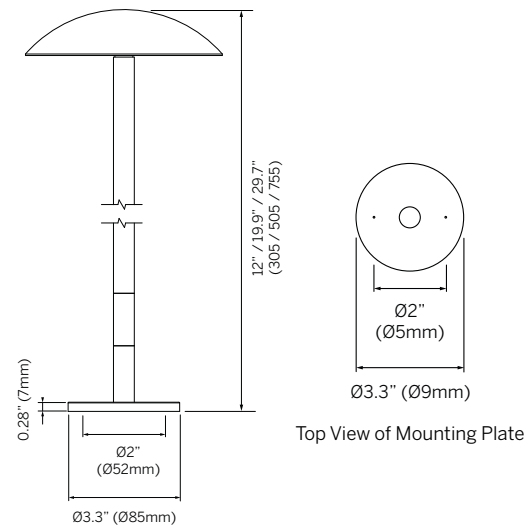


Desert Spike (DS)

Ground Spike (GS)



Mounting Plate (MP)



Luminaire

- IP66 rated luminaire offering a decorative glow to outdoor spaces.
- Exterior rated "dark skies" friendly luminaire using downward light to illuminate shrubbery, landscapes and pathways.
- Desert spike, ground spike or mounting plate.
- Precision machined from 70 - 90% recycled aluminum.
- LED 95+ CRI, multiple CCTs available.
- 5 Year warranty.

Height

- 12 = 12" (305mm)
- 20 = 19.9" (505mm)
- 30 = 29.7" (755mm)¹
- 40 = 39.4" (1005mm)¹
- 47 = 47.4" (1205mm)¹

Mounting

- DS = Desert Spike
- GS = Ground Spike
- MP = Mount plate

Power²

- H = High Power, 8.4W (822lm initial at 500mA, 17.1Vf)

CCT (95+ CRI)^{3,4}

- 927 = 2700K
- 930 = 3000K
- 935 = 3500K
- 940 = 4000K

Beam

- D = Diffused

Finish

- CA = Clear anodized
- BL = Matte black
- CF = Custom finish, specify RAL

Remote Driver⁵

- ECO30W-500 = 0-10V EldoLED ECOdrive 30W for 1-2 fixtures
- SOLO50W-500 = 0-10V EldoLED SOLOdrive 50W for 1-4 fixtures
- SOLO100W-500 = 0-10V EldoLED SOLOdrive 100W for 1-8 fixtures

1. Desert spike and ground spike versions only.
2. Wattage shown is for LED only, system wattage varies depending on driver selected.
3. See photometric data sheet for delivered lumens.
4. Two-channels available, contact factory. Supports two different color temperatures in one fixture.
5. See driver information for details.

Ordering Information

Model	Height	Mounting	Power ²	CRI/CCT ^{3,4}	Beam	Finish	+	Driver ⁵
MS-MUS	12	DS	H	927	D	CA		ECO30W-500
	20	GS		930		BL		SOLO50W-500
	30 ¹	MP		935		CF		SOLO100W-500
	40 ¹			940				
	47 ¹							