



### Luminaire

- Interior rated, miniature and fully adjustable fitting with curved optic designed to discreetly light archways and window reveals.
- Surface mounted.
- Precision machined from 70 - 90% recycled aluminum.
- Radial beam (9° x 113°).
- 95+ CRI, multiple CCTs available.

### Mounting

- SM = Surface Mounted

### Power<sup>1</sup>

- 2 = 2W (Oslon Star, 181lm initial at 700mA, 2.9Vf)

### CCT (95+ CRI)<sup>2</sup>

- 927 = 2700K
- 930 = 3000K
- 935 = 3500K
- 940 = 4000K

### Beam

- R = Radial (9°x113°)

### Finish

- CA = Clear Anodized
- CB = Classic Bronze 34
- W = Pure White, RAL9010
- BA = Black Anodized
- CF = Custom finish, specify RAL

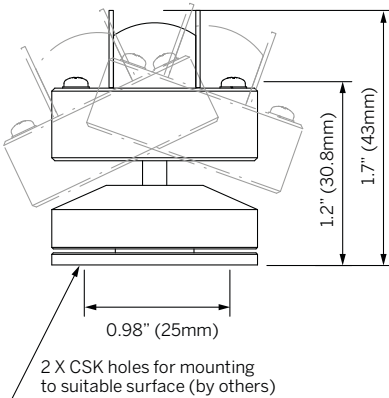
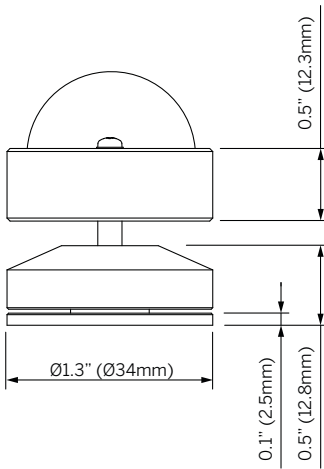
### Remote Driver<sup>3</sup>

- ECO30W-500 = 0-10V EldoLED ECOdrive 30W for 1-10 fixtures
- SOLO50W-500 = 0-10V EldoLED SOLOdrive 50W for 1-20 fixtures
- SOLO100W-500 = 0-10V EldoLED SOLOdrive 100W for 1-40 fixtures

1. Wattage shown is for LED only, system wattage varies depending on driver selected.

2. See photometric data sheet for delivered lumens.

3. See driver information for details.



Ordering Information						
Model	Mounting	Power <sup>1</sup>	CRI/CCT <sup>2</sup>	Optic	Finish	Driver <sup>3</sup>
MS-NI	SM	2		R		
MS-NI	SM	2	927 930 935 940	R	CA CB W BL CF	ECO30W-500 SOLO50W-500 SOLO100W-500

