

Periskop 4.4" Optics



General: The Periskop outdoor family of flood lights represents a versatile landscaping solution for trees, bushes, sculptures, as well as building facades. Periskop is available in multiple sizes and optics (including a Narrow Spot beam for dramatic effects), with multiple installation solutions available and a selection of accessories to control and shape the beam to your desire.

Fixture Body: Open-pore Anodized and Powder Coated Die-Cast Aluminum. White RAL9003 / Black RAL9005 / Gray RAL9006 / Green 6031 / Dark Brown (Weathering Steel-like finish).

Glass: Extra-clear Tempered glass.

Bracket: Powder Coated Steel Bracket, Black Painted. Bracket pivots -90°/+20° on the vertical plane and swivels +/-43.5° on the horizontal plane.

Mounting details: Fixture can be installed straight into concrete or onto different surfaces by using one of the several mounting accessories available within the family.

Dimensions/Weight: 4.4" (3.31 lbs)

Driver: Integral, 120-277VAC Dimmable 0-10V down to 1%.

Wattage: 21W Fixed and Fixed Honeycomb, 10W and 21W Narrow beam.

Cable: Fixture comes with 3.28' of power cable and it's equipped with TCS safety system to shield circuits from moisture.

IP rating: IP66 for protection against dust and water jets from any angle.

IK rating: IK 10 (4.4")

ETL Certification: ETL, wet location

Optics: Fixed: Available in Spot – Flood – Wide Flood – Vertical Elliptical Spot – Horizontal Elliptical Spot – Vertical Elliptical Flood – Horizontal Elliptical Flood.

Fixed Honeycomb: Available in Spot – Flood – Medium Wide Flood.

Narrow: Available in Hyper Spot 3° – Ultra Spot 6°.

Color temperatures: 2200K – 2700K – 3000K – 4000K.

CRI: 80+

Lumen Maintenance: L70 projections tested at Tj 65° C and Ta 25°.

Warranty: 5-year Limited Warranty on fixtures. 1-year Limited Warranty on Remote Drivers.



4.4" (21W) SWH Fixed



4.4" (21W) SBL Fixed



4.4" (21W) SGR Fixed



4.4" (10W) SDB Narrow HSP



4.4" (21W) SGN Narrow USP

Delivered Lumens*	F 21W	HFC 21W	N 10W	N 21W
SP	2078	1692	-	-
FL	2062	1414	-	-
MWFL	-	1276	-	-
WFL	1898	-	-	-
VESP	1497	-	-	-
HESP	1497	-	-	-
VEFL	1569	-	-	-
HEFL	1569	-	-	-
HSP	-	-	552	-
USP	-	-	-	1273

*Values shown for 3000K

Ordering Information

PER	Product	Trim/Finish	Type	Size	Wattage/Operation	Color Temp	Optic	Accessories ⁶
PER = Periskop	SWH = Square White SBL = Square Black SGR = Square Gray SDB = Square Dark Brown SGN = Square Green	F = Fixed	44 = 4.4"	21 ID = 21W / Integral Driver (0-10V Dim)	22 = 2200K 27 = 2700K 30 = 3000K 40 = 4000K	SP = Spot (15°) ³ FL = Flood (37°) ³ WFL = Wide Flood (52°) ³ VESP = Vertical Elliptical Spot (16°x40°) ³ HESP = Horizontal Elliptical Spot (40°x16°) ³ VEFL = Vertical Flood (33°x42°) ³ HEFL = Horizontal Flood (42°x33°) ³	Peg E98549 Tree belt E99802 Anti-glare Visor E-U300024 Anti-glare Snoot E-U300027 ⁷	
		FHC = Fixed Honeycomb ¹	44 = 4.4"	21 ID = 21W / Integral Driver (0-10V Dim)		SP = Spot (14°) ⁴ FL = Flood (33°) ⁴ MWFL = Medium Wide Flood (45°) ⁴		
		N = Narrow beam ²	44 = 4.4"	10 ID = 10W / Integral Driver (0-10V Dim) 21 ID = 21W / Integral Driver (0-10V Dim)		HSP = Hyper Spot (3°) ⁵ USP = Ultra Spot (6°) ⁵		

¹ Available with SP, FL, MWFL ONLY

² Available with HSP, USP ONLY

³ Available with F ONLY

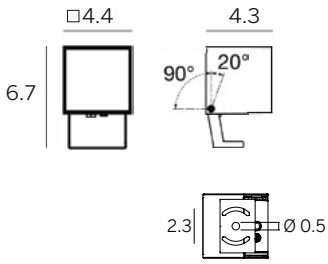
⁴ Available with FHC ONLY

⁵ Available with N ONLY

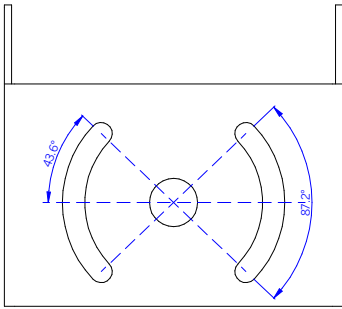
⁶ See page 2

⁷ Available with F ONLY

4.4"



HORIZONTAL PIVOTING BRACKET



ACCESSORIES



E98549

8" Peg for soft ground



E99802

Tree belt
For trees max diameter of 39"



E-U300024

Anti-glare Visor



E-U300027

Anti-glare Snoot
(Fixed ONLY)