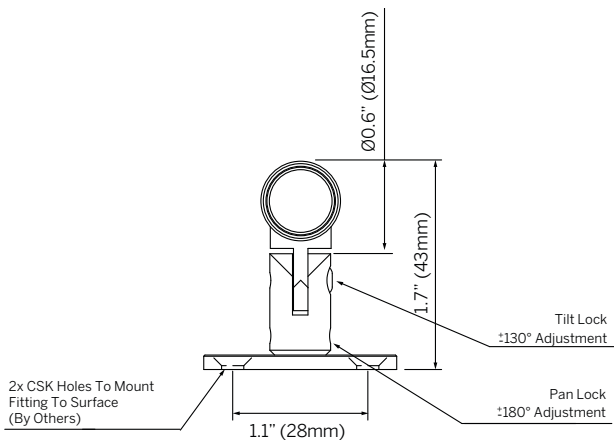
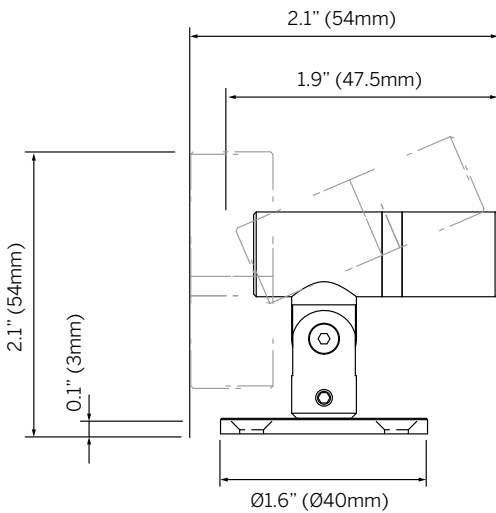




clamp only, contact us for custom pole options¹



Luminaire

- IP66 rated miniature spot light.
- Adjustable and lockable exterior spot light for accent lighting; very discreet for enhancing architectural details enabling "layers" within landscapes.
- Surface mounted, ground spike or pole clamp.
- Precision machined from 70 - 90% recycled aluminum.
- Frosted diffuser for soft glow effect,
- 95+ CRI with multiple CCTs and optics available.

Mounting

- SM = Surface Mounted
- GS = Ground Spike¹
- PC = Pole Clamp (clamp only, contact us for custom pole options)¹

Power²

- 1.4 = 1.4W (137lm initial at 500mA, 2.85Vf)

CCT (95+ CRI)³

- 927 = 2700K
- 930 = 3000K
- 935 = 3500K
- 940 = 4000K

Optic

- M = Medium (28°)
- W = Wide (39°)
- WF = Wide Flood (69°)
- E = Elliptical (27° x 43°)

Diffuser

- FD = Frosted Diffuser

Finish

- CA = Clear Anodized
- CB = Classic Bronze 34
- W = Pure White, RAL9010
- BL = Matte Black, RAL9005
- CF = Custom finish, specify RAL

Remote Driver⁴

- ECO30W-500 = 0-10V EldoLED ECOdrive 30W for 1-10 fixtures
- SOLO50W-500 = 0-10V EldoLED SOLOdrive 50W for 1-20 fixtures
- SOLO100W-500 = 0-10V EldoLED SOLOdrive 100W for 1-40 fixtures

1. See page 3 for details.
2. Wattage shown is for LED only, system wattage varies depending on driver selected.
3. See photometric data sheet for delivered lumens.
4. See driver information for details.

Ordering Information

Model	Mounting	Power ²	CRI/CCT ³	Optic	Diffuser	Finish	+	Driver ⁴
MS-PIP		1.4			FD			
MS-PIP	SM GS ¹ PC ¹	1.4	927 930 935 940	M W WF E	FD	CA CB W BL CF		ECO30W-500 SOLO50W-500 SOLO100W-500

