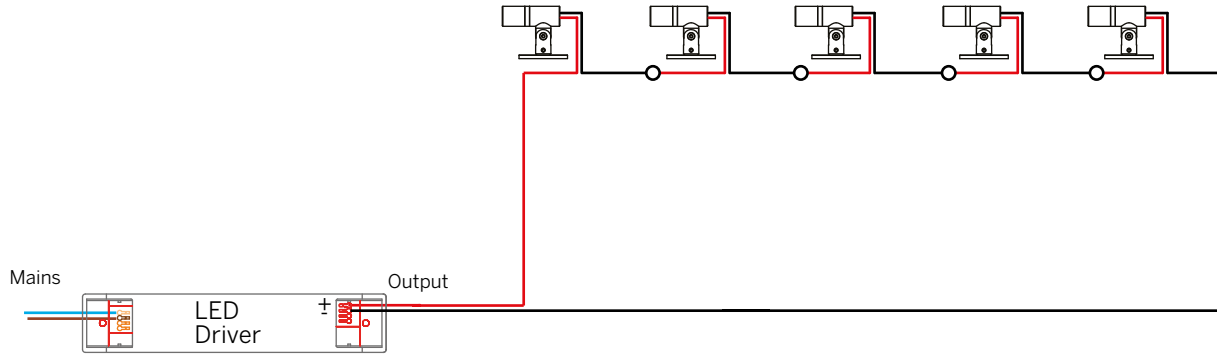


## Wiring

### Series Wiring



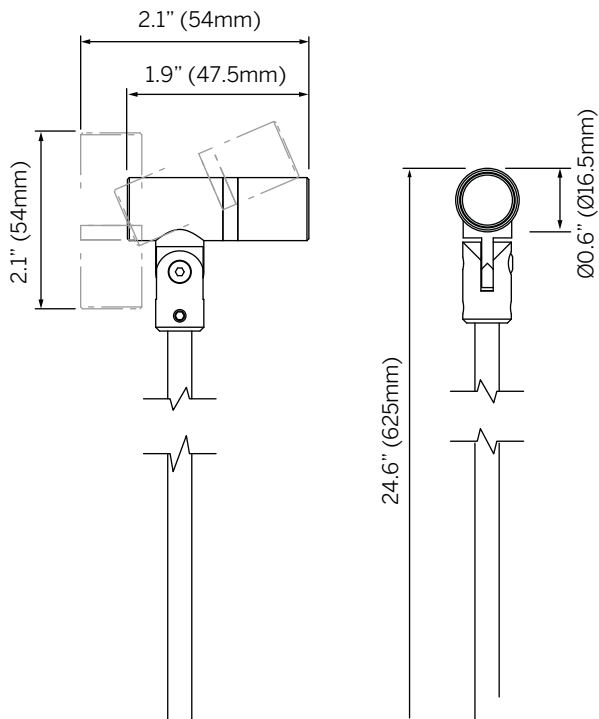
Note that while constant current light sources can be wired in series, the number of fittings that can be wired in series is limited by the forward voltage and wattage of the LED.

Each Pipien is supplied with 1 x Star LEDs which have a total forward voltage of 2.85V and wattage of 1.4W when driven at 500mA.

IP68 connectors recommended. Driver specified separately.

## Details

### Ground Spike



### Pole Clamp

