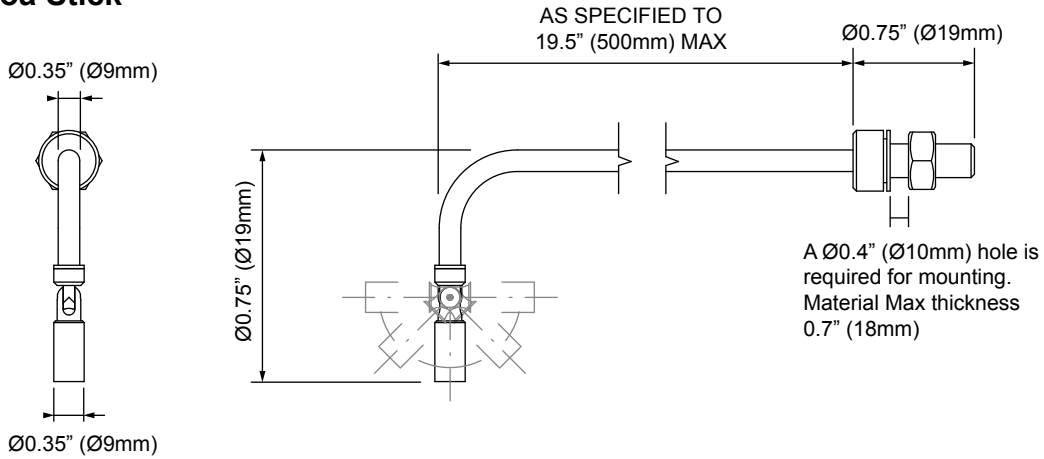


## Details

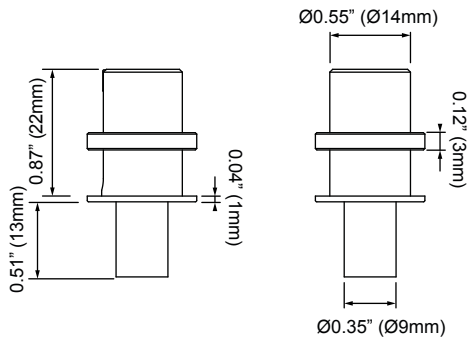
### Protozoa Stick



### Protozoa Semi-Recessed

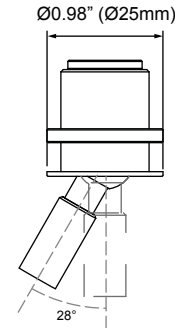
#### Threaded securing ring

A Ø0.6" (Ø15mm) hole is required for mounting.  
Mounting surface min 0.12" (3mm) to max 0.7" (18mm)



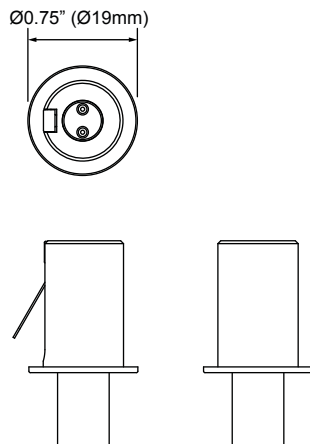
### Protozoa Semi-Recessed Adjustable

A Ø0.75" (Ø19mm) hole is required for mounting.  
Mounting surface min 0.12" (3mm) to max 0.7" (18mm)



#### Spring clip

A Ø0.6" (Ø15mm) hole is required for mounting.  
Mounting surface min 0.2" (5mm)



A Ø0.75" (Ø19mm) hole is required for mounting.  
Mounting surface min 0.2" (5mm)

