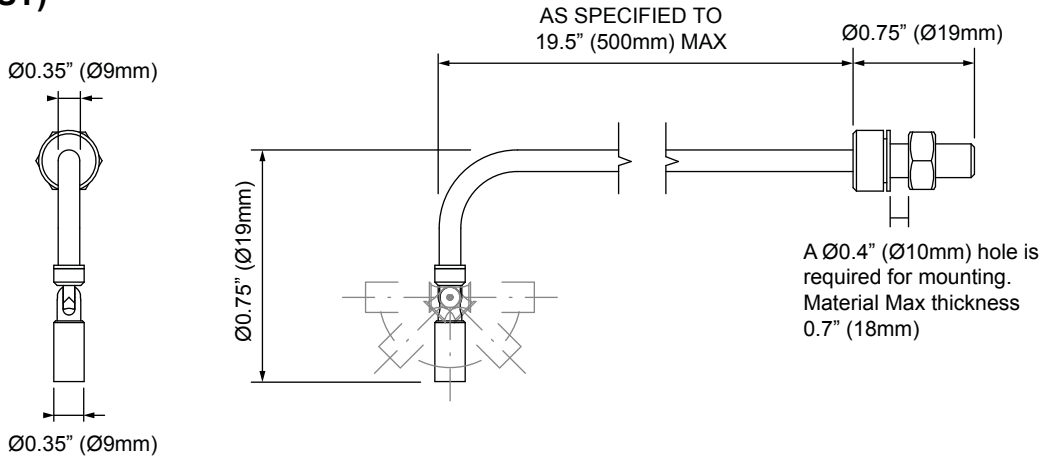


Mounting

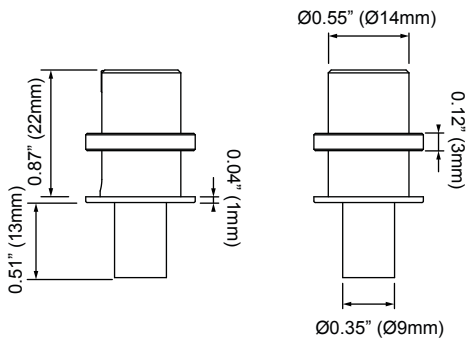
Stick (ST)



Semi-Recessed Accessible (SRA)

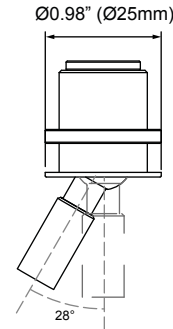
Threaded securing ring

A Ø0.6" (Ø15mm) hole is required for mounting.
Mounting surface min 0.12" (3mm) to max 0.7" (18mm)



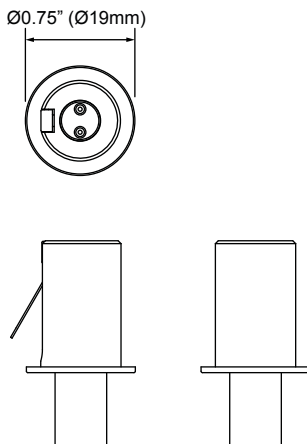
Semi-Recessed Non-Accessible (SRN)

A Ø0.75" (Ø19mm) hole is required for mounting.
Mounting surface min 0.12" (3mm) to max 0.7" (18mm)



Spring clip

A Ø0.6" (Ø15mm) hole is required for mounting.
Mounting surface min 0.2" (5mm)



A Ø0.75" (Ø19mm) hole is required for mounting.
Mounting surface min 0.2" (5mm)

