

Luminaire

- Fixed or adjustable $\text{\O}0.35''$ interior rated spot light with zoomable lens.
- Friction adjustable miniature spot light with zoomable lens for museum showcase lighting, retail and other very discreet close work.
- Surface, stick, semi-recessed accessible or non-accessible ceiling mounted.
- Precision machined from aluminum.
- 90+ CRI with multiple CCTs available.

Mounting

- SF = Surface Mounted
- ST = Stick Mounted¹
- SRA = Semi-Recessed Accessible Ceiling²
- SRN = Semi-Recessed Non-Accessible Ceiling²

Power²

- 0.6 = 0.6W (52lm initial at 200mA, 2.9Vf)

CCT (90+ CRI)³

- 927 = 2700K
- 930 = 3000K
- 940 = 4000K

Beam

- Z = Zoom ($13^\circ - 60^\circ$)

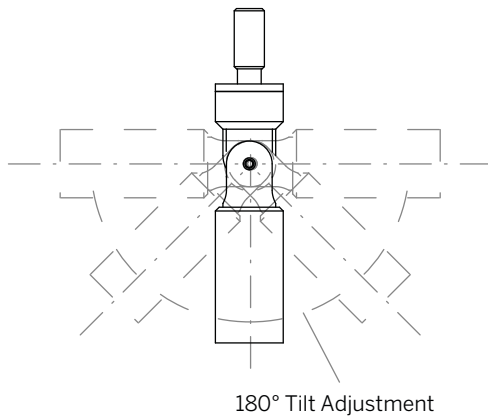
Finish

- W = Pure White, RAL9010
- BA = Black Anodized
- CF = Custom finish, specify RAL

Remote Driver⁴

- ECO30W-200 = 0-10V EldoLED ECOdrive 30W for 1-10 fixtures
- SOLO50W-200 = 0-10V EldoLED SOLOdrive 50W for 1-20 fixtures
- SOLO100W-200 = 0-10V EldoLED SOLOdrive 100W for 1-40 fixtures

1. See page 3 for details.
2. Wattage shown is for LED only, system wattage varies depending on driver selected.
3. See photometric data sheet for delivered lumens.
4. See driver information for details.



Ordering Information

Model	Mounting	Power ²	CRI/ CCT ³	Optic	Finish	+	Driver ⁴
MS-PRO (Fixed)	SF ST ¹	0.6	927 930 940	Z	W BA CF		ECO30W-200 SOLO50W-200 SOLO100W-200
MS-PROA (Adjustable)	SRA ¹ SRN ¹						

