

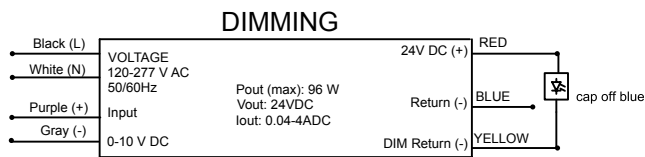
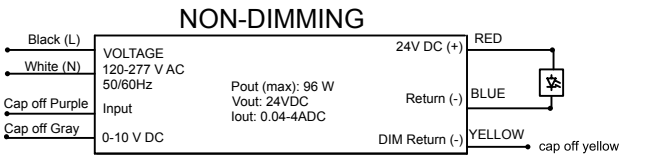
20 Linear - Constant Voltage driver information

Please refer to driver manufacturer's website for current data sheets and wiring guidelines.

LINEAR FEET PER DRIVER - CONSTANT VOLTAGE					
Driver	Wattage	Power [W / Ft]			
		L [3.0]	M [6.0]	H [10.0]	RGBW [8.0]
S*	96W	24'-0"	12'-0"	6'-0"	-
D010*	96W	24'-0"	12'-0"	6'-0"	-
L3DAE	40W	12'-0"	6'-0"	4'-0"	-
L3D0E	96W	24'-0"	12'-0"	6'-0"	-
EL96*	96W	24'-0"	12'-0"	6'-0"	-
DMX*	96W	24'-0"	12'-0"	6'-0"	8'-0"

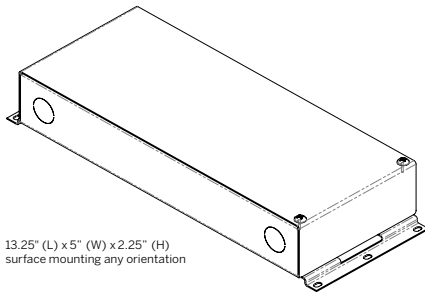
* Linear Feet per Driver assumes 80% reduction from full load.

S / D010 - EldoLED, Non-Dim or 10% 0-10V dimming, 120-277V [spec sheet](#)



Warning: if not connected to a 0-10V dimmer, driver MUST be wired as Non-dim. Not doing so can cause the driver and the fixtures to fail prematurely.

Dry Location Enclosure



Compatible/Recommended dimmers and interfaces*:

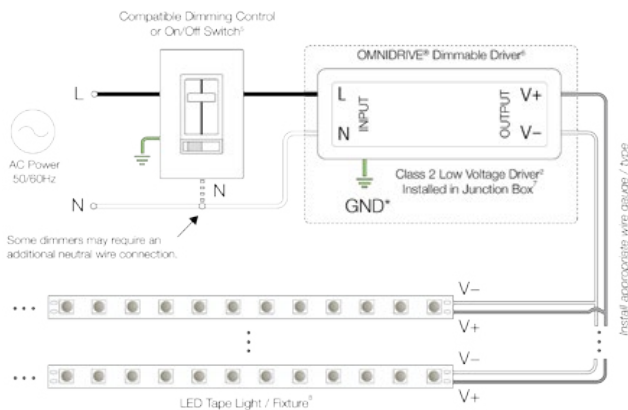
- Lutron Diva DVSTV (Wallbox dimmer)
- Lutron Nova T NTSTV (Wallbox dimmer)
- Lutron Maestro MS-Z101/MS-Z101-V (Wallbox dimmer/sensor)
- Lutron PowPak 0-10V RMJ-5T-DV-B (Energi Tripak)
- Lutron GRX-TVI (0-10V interface for Grafik QS and some commercial dimming panels)
- Lutron TVI-LMF-2A (EcoSystem to 0-10V interface)
- Lutron QSN-4T16-S (Energi Savr Node 0-10V)
- Lutron TVM2 module (HomeWorks and commercial dimming panels)

*Consult factory for any dimmer not listed

Maximum wiring distance*				
		Load per driver		
		≤48W	≤72W	≤96W
Wire gauge	#18AWG	37 ft (11.3 m)	25 ft (7.6 m)	18 ft (5.5 m)
	#16AWG	59 ft (18 m)	39 ft (11.9 m)	29 ft (8.8 m)
	#14AWG	95 ft (29 m)	63 ft (19.2 m)	47 ft (14.3 m)
	#12AWG	151 ft (46 m)	101 ft (30.8 m)	75 ft (22.9 m)
	#10AWG	241 ft (73.5 m)	160 ft (48.8 m)	120 ft (36.6 m)

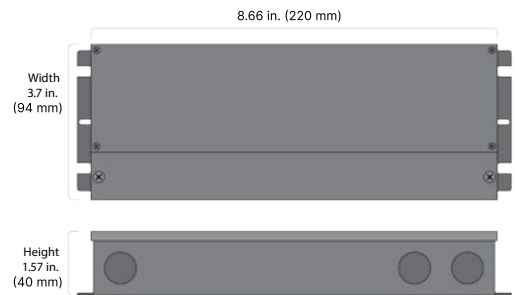
* Voltage drop guide for 24VDC. Actual Voltage drop to be calculated by installer.

DPH = Phase Dimming, 1% dimming, 120V only [spec sheet](#)



Dry Location Enclosure

ODX-24V96W-J



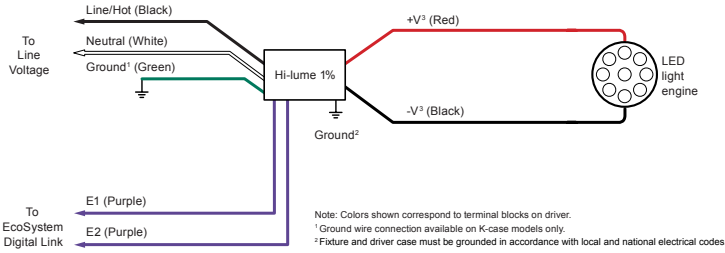
Compatible/Recommended dimmers and interfaces*:

- LUTRON: Ariadni - AYLV-600P
- LUTRON: Homeworks QS - HQRD 6ND
- LUTRON: Radio RA2 - RRD-10ND
- LUTRON: Ariadni - AYCL-153P
- LUTRON: Maestro - MACL-153M
- LUTRON: Radio RA2 - RRD-6CL WH
- LUTRON: Caseta - PD-6WC
- LUTRON: Maestro - MAELV-600
- LUTRON: Verti - VT-1000MN
- LUTRON: Caseta - PD-5NE
- LUTRON: Maestro - MRF2-6ND-120
- LEVITON: Decora - DSE06-10Z
- LUTRON: Caseta - PD-10NXD
- LUTRON: Maestro - MA-PRO
- LEVITON: Illumitech - IP10-LFZ
- LUTRON: Caseta - DVRF-6
- LUTRON: Nova T* CL - NTCL 250
- LEVITON: Decora Smart - DW6HD-1BZ
- LUTRON: Diva - DVELV-300P
- LUTRON: Nova T - NTLV-603P
- LEGRAND: Paddle - ADPD453LW2
- LUTRON: Diva - DVCL-153-P
- LUTRON: Nova T - NTFTV
- MISC.: Forbes & Lomax MLV - FLRLV603P
- LUTRON: Diva - DV600P
- LUTRON: Nova - NFTV
- MISC.: Forbes & Lomax INC/HAL - FLR603P
- LUTRON: Diva - 0-10V DVTV
- LUTRON: Homeworks - HWD 6ND WH

*Consult factory for any dimmer not listed

20 Linear - Constant Voltage driver information

L3DAE = Lutron Hi-lume 1% EcoSystem, 120-277V spec sheet



Dry Location Enclosure

Case type KL

K-case mounted on a 4" (102 mm) W x 1.5" (38 mm) H x 4" (102 mm) L junction box to provide wiring compartment



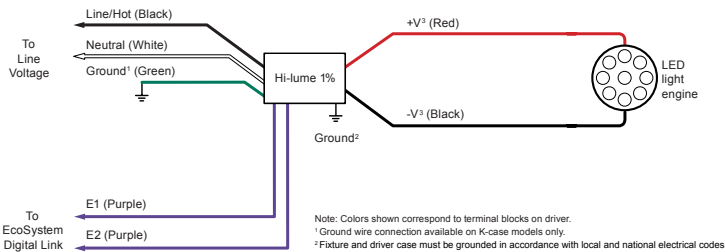
EcoSystem Controls			
Product	Model Number	Drivers per Control	Dimming
PowPak dimming module with EcoSystem	RMJ-ECO32-DV-B 3	32 per EcoSystem link	100%-1%
	FCJ-ECO, FCJS-ECO	3 per EcoSystem link ¹	100%-1%
Energi Savr Node with EcoSystem	2QSN-1ECO-S, QSN-2ECO-S	64 per EcoSystem link	100%-1%
GRAFIK Eye QS with EcoSystem	QSGRJ-_E, QSGR-_E	64 per EcoSystem link	100%-1%
Quantum	Various	64 per EcoSystem link	100%-1%

1 Up to 3 drivers controlled as a single zone (broadcast EcoSystem).

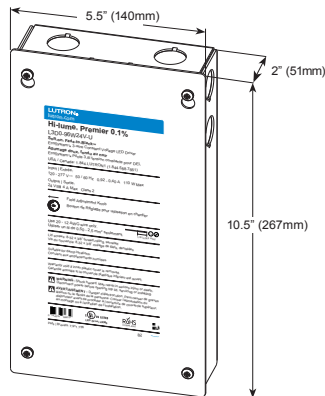
Maximum wiring distance*				
		10 V to 20 V	20.5 V to 40 V	40.5 V to 60 V
Wire gauge	24 AWG	2.5 ft (0.8 m)	4 ft (1.2 m)	8 ft (2.4 m)
	22 AWG	4 ft (1.2 m)	6 ft (1.8 m)	12 ft (3.7 m)
	20 AWG	6 ft (1.8 m)	10 ft (3 m)	20 ft (6.1 m)
	18 AWG	10 ft (3 m)	15 ft (4.6 m)	30 ft (9.1 m)
	16 AWG	15 ft (4.6 m)	25 ft (7.6 m)	50 ft (15.2 m)
	14 AWG	25 ft (7.6 m)	40 ft (12.2 m)	75 ft (22.9 m)
	12 AWG	40 ft (12.2 m)	60 ft (18.3 m)	100 ft (30.5 m)

Terminal blocks on the drivers accept only solid 18 or 16 AWG (0.75 or 1.5 mm²) wire. To use wire gauges larger or smaller than this terminal blocks' rated gauge of 18 or 16 AWG (0.75 or 1.5 mm²) refer to the Terminal Wiring Gauges diagram at the end of this document. Connect up to 3 ft (0.9 m) of 18 or 16 AWG (0.75 or 1.5 mm²) wire to the LED driver terminal blocks, then connect 14 to 12 AWG (2.5 to 4.0 mm²) or 24 AWG to 20 AWG (0.20 mm² to 0.50 mm²) up to the length allowed in the above table.

L3DOE = Lutron Hi-lume Premier 0.1% EcoSystem, 120-277V spec sheet



Dry Location Enclosure



Drivers are programmed to Linear dimming curve by default. Compatible/Recommended dimmers and interfaces*:

- PowPak Dimming Module with EcoSystem
- Lutron Nova T NTSTV (Wallbox dimmer)
- Lutron Maestro MS-Z101/MS-Z101-V (Wallbox dimmer/sensor)
- Lutron PowPak 0-10V RMJ-5T-DV-B (Energi Tripak)
- Lutron GRX-TVI (0-10V interface for Grafik QS and some commercial dimming panels)
- Lutron TVI-LMF-2A (EcoSystem to 0-10V interface)
- Lutron QSN-4T16-S (Energi Savr Node 0-10V)
- Lutron TVM2 module (HomeWorks and commercial dimming panels)

*Consult factory for any dimmer not listed

Wire gauge*	Maximum wiring distance*
24 AWG (0.20 mm ²) ³	6 ft (1.8 m)
22 AWG (0.34 mm ²) ³	10 ft (3.0 m)
20 AWG (0.50 mm ²)	15 ft (4.5 m)
18 AWG (0.75 mm ²)	25 ft (7.62 m)
16 AWG (1.0 mm ²)	40 ft (12.2 m)
14 AWG (1.5 mm ²)	60 ft (18.3 m)
12 AWG (2.5 mm ²)	100 ft (30.5 m)
10 AWG (4.0 mm ²) ³	150 ft (45.7 m)

1 To use wire gauges larger or smaller than terminal blocks' rated gauge of 20 AWG to 12 AWG (0.50 mm² to 2.50 mm²), connect 12 in (30 cm) or less of rated wire from terminal and connect with larger or smaller wire.

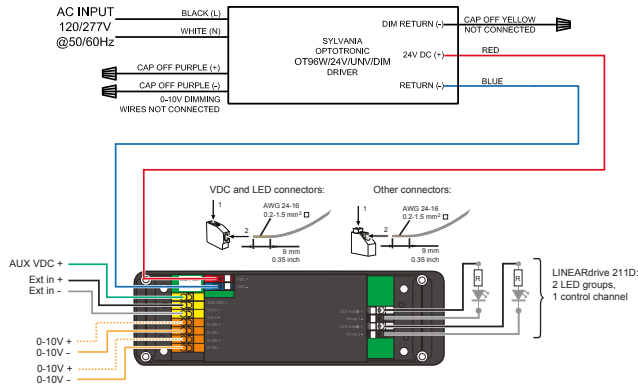
20 Linear - Constant Voltage driver information

EL96 = Osram / EdoLED, 24V, 1% 0-10V Dimming [Driver spec sheet](#) | [0-10V interface](#)

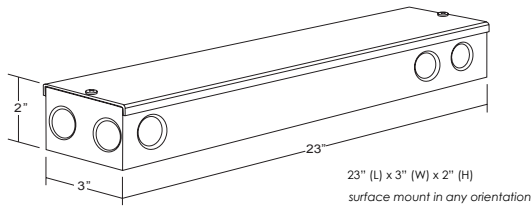
Compatible/Recommended dimmers and interfaces*:

- Lutron Diva DVSTV (Wallbox dimmer)
- Lutron Nova T NTSTV (Wallbox dimmer)
- Lutron Maestro MS-Z101/MS-Z101-V (Wallbox dimmer/sensor)
- Lutron PowPak 0-10V RMJ-5T-DV-B (Energi Tripak)
- Lutron GRX-TVI (0-10V interface for Grafik QS and some commercial dimming panels)
- Lutron TVI-LMF-2A (EcoSystem to 0-10V interface)
- Lutron QSN-4T16-S (Energi Savr Node 0-10V)
- Lutron TVM2 module (HomeWorks and commercial dimming panels)

*Consult factory for any dimmer not listed



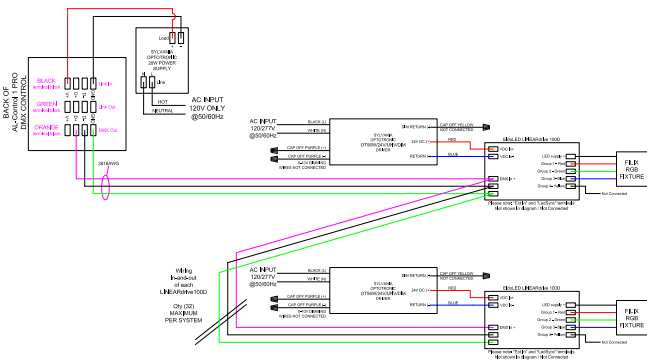
Dry Location Enclosure



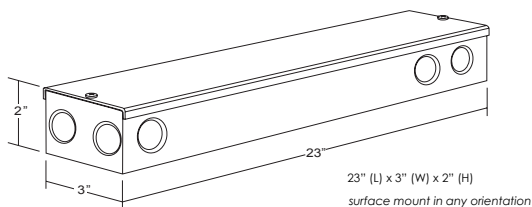
		Maximum wiring distance*		
		Load per driver		
		≤48W	≤72W	≤96W
Wire gauge	#18AWG	37 ft (11.3 m)	25 ft (7.6 m)	18 ft (5.5 m)
	#16AWG	59 ft (18 m)	39 ft (11.9 m)	29 ft (8.8 m)
	#14AWG	95 ft (29 m)	63 ft (19.2 m)	47 ft (14.3 m)
	#12AWG	151 ft (46 m)	101 ft (30.8 m)	75 ft (22.9 m)
	#10AWG	241 ft (73.5 m)	160 ft (48.8 m)	120 ft (36.6 m)

* Voltage drop guide for 24VDC. Actual Voltage drop to be calculated by installer.

EL96-DMX = Osram / EdoLED, 24V, 0.1% DMX Dimming [Driver spec sheet](#) | [DMX interface](#)



Dry Location Enclosure



		Maximum wiring distance*		
		Load per driver		
		≤48W	≤72W	≤96W
Wire gauge	#18AWG	37 ft (11.3 m)	25 ft (7.6 m)	18 ft (5.5 m)
	#16AWG	59 ft (18 m)	39 ft (11.9 m)	29 ft (8.8 m)
	#14AWG	95 ft (29 m)	63 ft (19.2 m)	47 ft (14.3 m)
	#12AWG	151 ft (46 m)	101 ft (30.8 m)	75 ft (22.9 m)
	#10AWG	241 ft (73.5 m)	160 ft (48.8 m)	120 ft (36.6 m)

* Voltage drop guide for 24VDC. Actual Voltage drop to be calculated by installer.