

Driver & Wiring Information

Remote Drivers

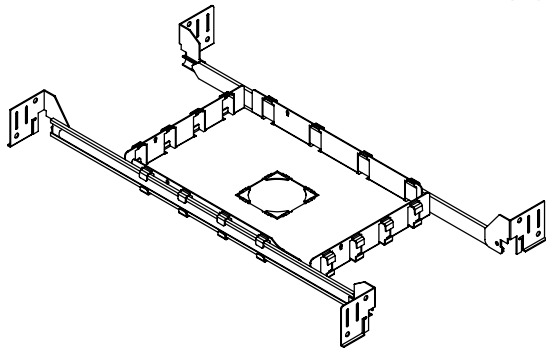
DRIVER PART #	DRIVER WATTAGE	CONTROL PROTOCOL	DIMMING LEVEL	FIXTURES PER DRIVER	HOUSING
RS1	12W	Non-Dim / 0-10V	1%	1	X - LP - IC - CP
RS2	22W	Non-Dim / 0-10V	1%	1 – 2	X - LP - IC - CP
RSPH	12W	Forward Phase	10%	1	X - LP - IC - CP
RD010	100W	0-10V	0.1%	1 – 8	X - LP - IC - CP
RPEQ0	20W	EcoSystem	0.1%	1 – 2	X - LP - IC - CP
RDALI	100W	DALI-2	1%	1 – 4	X - LP - IC - CP
EM	6W	Emergency	–	1	X - LP - IC - CP

Integral Drivers

DRIVER PART #	DRIVER WATTAGE	CONTROL PROTOCOL	DIMMING LEVEL	FIXTURES PER DRIVER	HOUSING
S1	12W	Non-Dim / 0-10V	1%	1	NC - IC - CP
S2	22W	Non-Dim / 0-10V	1%	1 – 2	NC - IC - CP
SPH	12W	Forward Phase	10%	1	NC - IC - CP
D010	30W	0-10V	1%	1 – 2	NC - IC - CP
PEQ0	20W	EcoSystem	0.1%	1 – 2	NC - IC - CP
DALI	20W	DALI-2	1%	1 – 2	NC - IC - CP

All drivers for PTD1.5 are remote only, **unless** in an accessible ceiling and mounted to the NC/IC/CP housing. See housing pages for more information.

Remote Driver Housing Information



Hanger bars adjustable from 13.6 to 24.5" (345 to 622mm)

Ordering Information for housing only

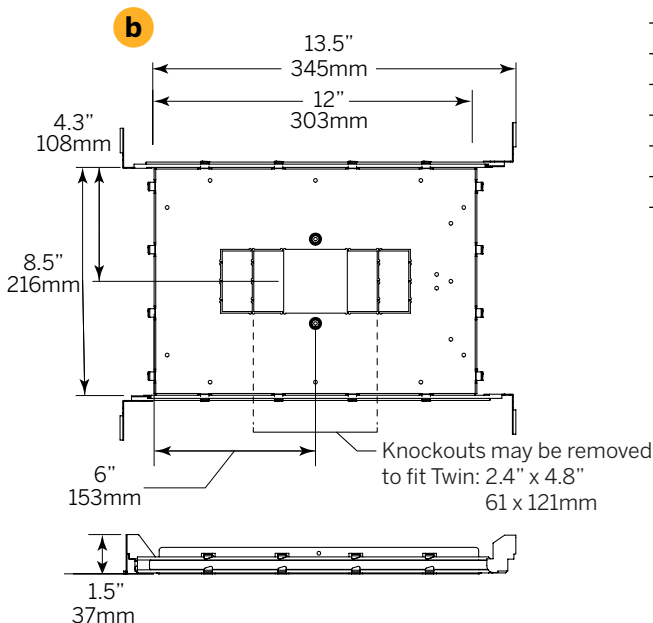
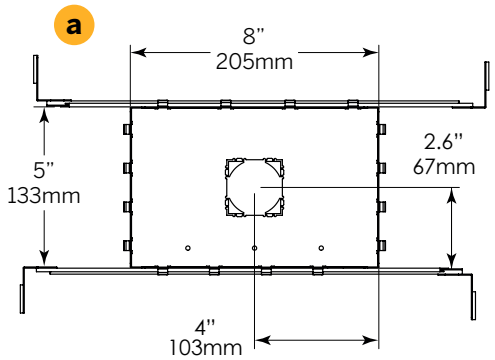
Model	Driver
LP = Landing Pan	RS1 RS2 RSPH RD010 RPEQ0 RDALI

Landing Pan

- Landing Pan for accessible and inaccessible ceilings
- Housing compatible with:
 - a** Round/square inserts for plaster and bezel trims
 - b** Twin trim
- Supplied with hanger bars that adjust between 13.6" and 24.5"
- Galvanized steel constructions

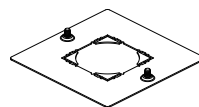
Driver (Remote)

- RS1 = Standard eldoLED non-dim or 1% 0-10V dimming, 120-277V, 12W
- RS2 = Standard eldoLED non-dim or 1% 0-10V dimming, 120-277V, 22W
- RSPH = Standard phase (2-wire) 10% dimming, 120V *only*, 12W
- RD010 = eldoLED, 1% 0-10V dimming, 120-277V, 100W
- RPEQ0 = Lutron Hi-lume Premier 0.1% EcoSystem, 120-277V, 12W
- RDALI = eldoLED DALI-2 0.1% dimming, 120-277V, 100W



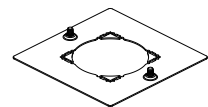
Driver Part Number	Driver Wattage	Control Protocol	Dimming Level	Fixtures Per Driver	Housing [Integral]	Housing [Remote]
RS1	12W	Non-Dim / 0-10V	1%	1	-	X - LP - IC - CP
RS2	22W	Non-Dim / 0-10V	1%	1 - 2	-	X - LP - IC - CP
RSPH	12W	Forward Phase	10%	1	-	X - LP - IC - CP
RD010	100W	0-10V	0.1%	1 - 8	-	X - LP - IC - CP
RPEQ0	20W	EcoSystem	0.1%	1 - 2	-	X - LP - IC - CP
RDALI	100W	DALI-2	1%	1 - 4	-	X - LP - IC - CP
EM	6W	Emergency	-	1	NC	X - LP - IC - CP

Round/Square Insert for Bezel Trim

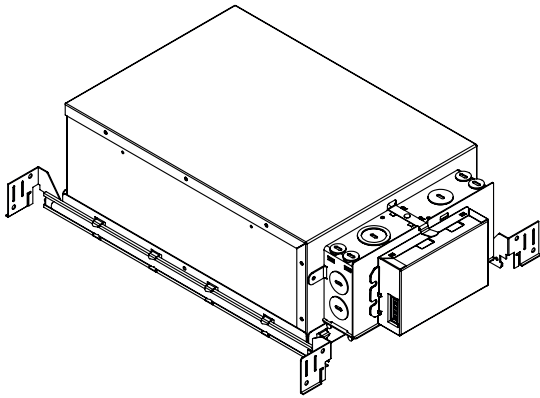


Round Cutout: 1.75" 45mm
Square Cutout: 1.8" 46 mm

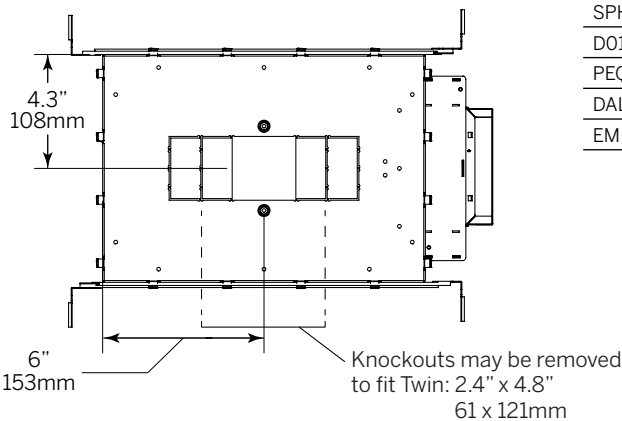
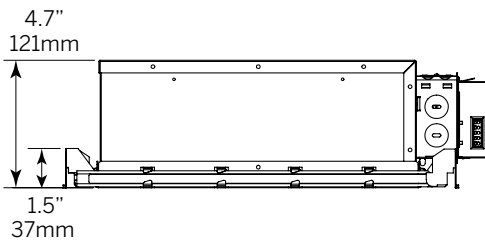
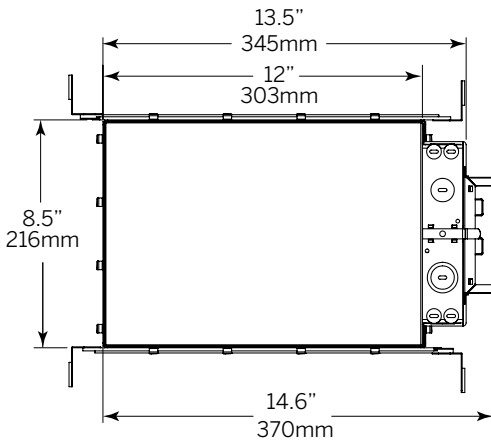
Round/Square Insert for Plaster Trim



Round Cutout: 2.1" 54mm
Square Cutout: 2" 50 mm



Hanger bars adjustable from 13.6 to 24.5" (345 to 622mm)



Ordering Information for housing only

Model	Driver ¹
IC = Insulated Ceiling CP = Chicago Plenum	S1 S2 SPH D010 PEQ0 DALI

IC/CP Housing

- Installation Insulated Ceilings Chicago Plenum
 - Housing compatible with:
 - a** Round/square inserts for plaster and bezel trims
 - b** Twin trim
 - Galvanized steel construction
 - Fully caulked corners
 - Gasketed mating plaster frame surfaces and of integral junction box
 - Integral junction box for wire splice from external power source (optional)
 - Supplied with hanger bars that adjust between 13.6" and 24.5"
 - Anti-vibration embossing
- Designed for an airflow rate not to exceed 2 CFM

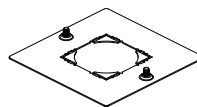
Driver¹

- S1 = Standard eldoLED non-dim or 1% 0-10V dimming, 120-277V, 12W
- S2 = Standard eldoLED non-dim or 1% 0-10V dimming, 120-277V, 22W
- SPH = Standard phase (2-wire) 10% dimming, 120V *only*, 12W
- D010 = eldoLED, 1% 0-10V dimming, 120-277V, 30W
- PEQ0 = Lutron Hi-lume Premier 0.1% EcoSystem, 120-277V, 20W
- DALI = eldoLED DALI-2 0.1% dimming, 120-277V, 30W

¹ S, S010, SPH and PEQ0 drivers are mounted within junction box.

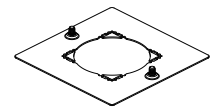
Driver Part Number	Driver Wattage	Control Protocol	Dimming Level	Fixtures Per Driver	Housing [Integral]	Housing [Remote]
S1	12W	Non-Dim / 0-10V	1%	1	NC - IC - CP	LP - IC - CP
S2	22W	Non-Dim / 0-10V	1%	1 - 2	NC - IC - CP	LP - IC - CP
SPH	12W	Forward Phase	10%	1	NC - IC - CP	LP - IC - CP
D010	30W	0-10V	1%	1 - 2	NC - IC - CP	LP - IC - CP
PEQ0	20W	EcoSystem	0.1%	1 - 2	NC - IC - CP	LP - IC - CP
DALI	20W	DALI-2	1%	1 - 2	NC - IC - CP	LP - IC - CP
EM	6W	Emergency	-	1	NC	X - LP - IC - CP

Round/Square Insert for Bezel Trim



Round Cutout: 1.75" 45mm
Square Cutout: 1.8" 46mm

Round/Square Insert for Plaster Trim

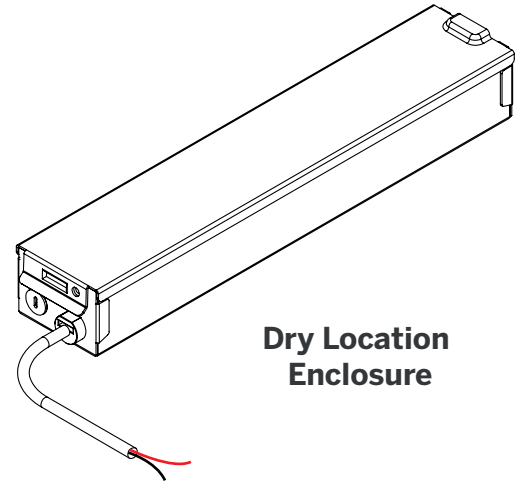
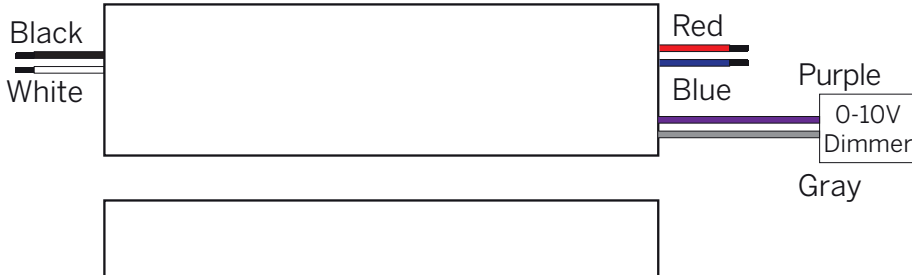


Round Cutout: 2.1" 54mm
Square Cutout: 2" 50mm

S1, RS1/S2, RS2 = Standard eLdoLED non-dim or 1% 0-10V dimming, 120-277V

1 fixture per driver

IMPORTANT: All fixtures must be wired in series!



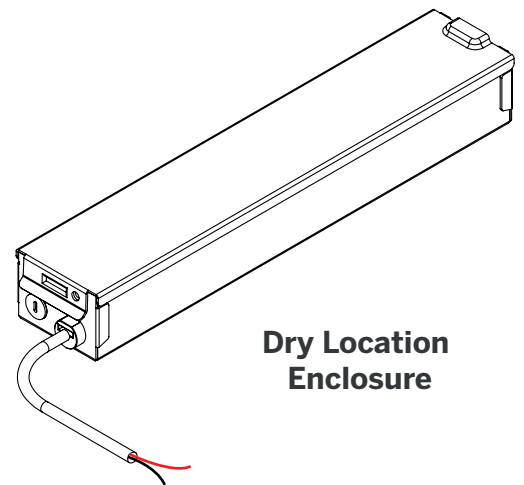
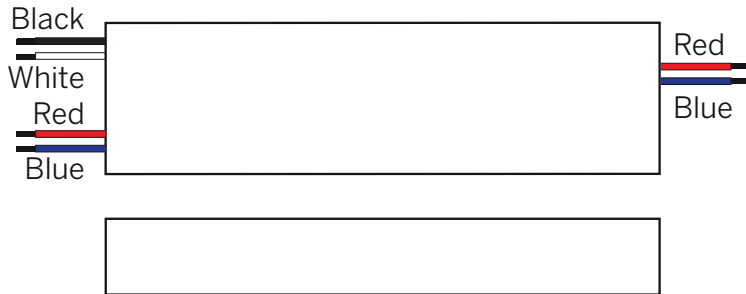
Dry Location Enclosure

NOTE: Driver Box has (1) knock-out on end opposite power cable for Trade Size 1/2 conduit (7/8" diameter)

SPH, RSPH = Standard phase (2-wire) 10% dimming, 120V only

1 fixture per driver

IMPORTANT: All fixtures must be wired in series!



Dry Location Enclosure

NOTE: Driver Box has (1) knock-out on end opposite power cable for Trade Size 1/2 conduit (7/8" diameter)

Wire gauge	Maximum wiring distance ¹
AWG 20 (0.52 mm ²)	46 ft (14 m)
AWG 19 (0.65 mm ²)	59 ft (18 m)
AWG 18 (0.82 mm ²)	72 ft (22 m)
AWG 17 (1.04 mm ²)	92 ft (28 m)
AWG 16 (1.31 mm ²)	118 ft (36 m)

Input	12", Black (L), White (N) #18AWG
Output	12", Red (+), Blue (-) #18AWG

¹Actual distance must be calculated by installer. Must comply with NEC code.

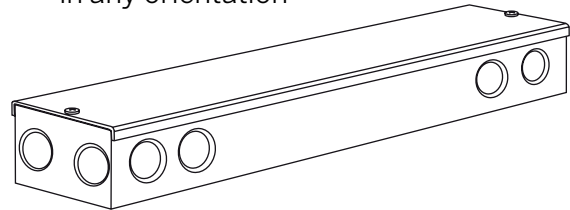
RD010 = Remote eldoLED 0.1% 0-10V dimming, 120-277V

1-8 fixtures per driver

IMPORTANT: All fixtures must be wired in series!



Dry Location Enclosure
surface mount
in any orientation

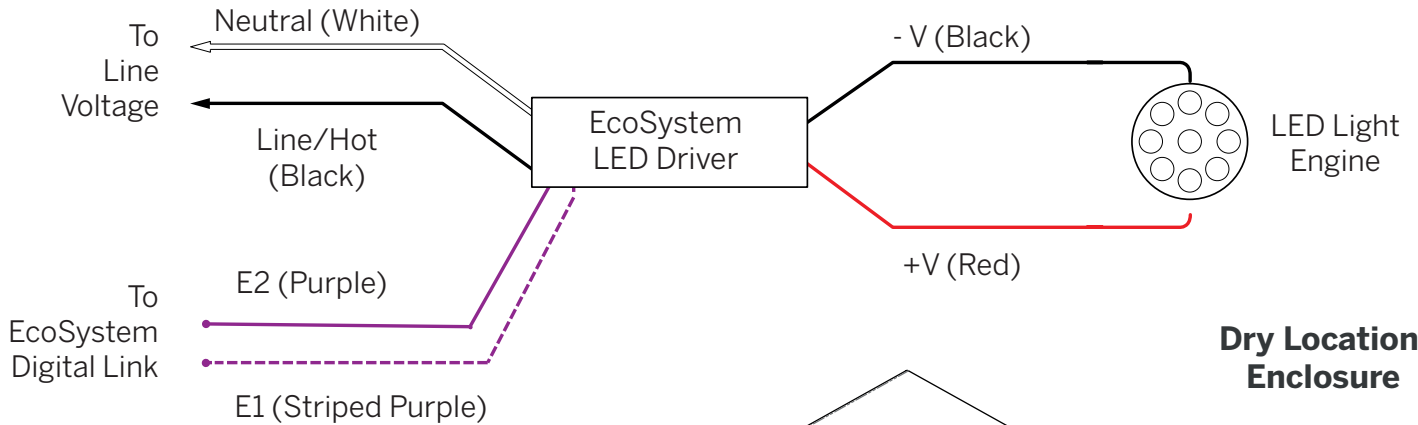


NOTE: Driver Box has (12) knock-outs: (4) on each long side, (2) at each end for Trade Size 1/2 conduit (7/8" diameter)

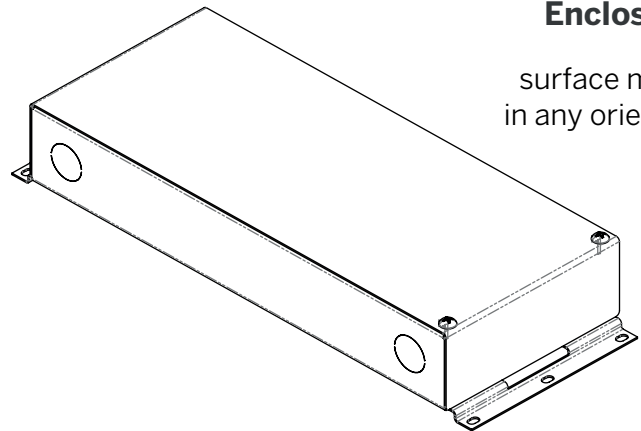
RPEQ0 = Remote Lutron Hi-Lume Premier 0.1% EcoSystem, 120-277V

1-2 fixtures per driver

IMPORTANT: All fixtures must be wired in series!



Dry Location Enclosure
surface mount
in any orientation

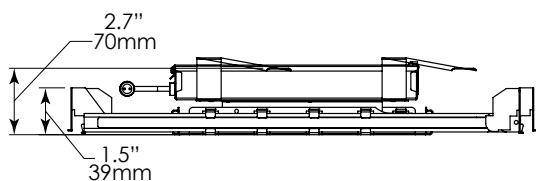
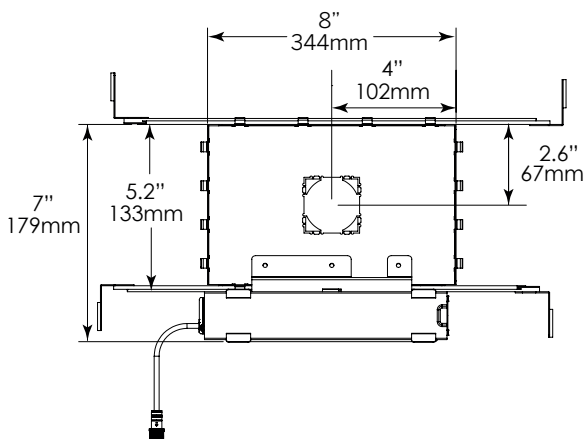
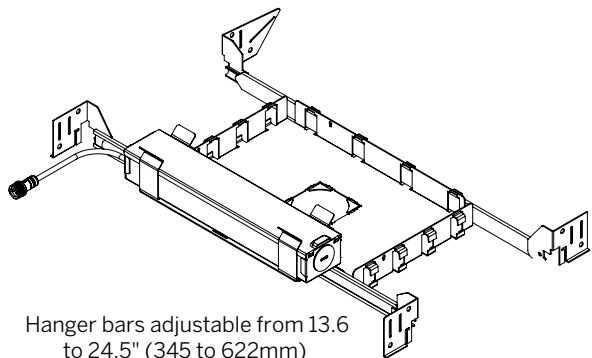


NOTE: Driver Box has (4) knock-outs: (2) on each long side for Trade Size 1/2 conduit (7/8" diameter)

Wire gauge	Maximum wiring distance ¹
AWG 20 (0.52 mm ²)	46 ft (14 m)
AWG 19 (0.65 mm ²)	59 ft (18 m)
AWG 18 (0.82 mm ²)	72 ft (22 m)
AWG 17 (1.04 mm ²)	92 ft (28 m)
AWG 16 (1.31 mm ²)	118 ft (36 m)

¹Actual distance must be calculated by installer. Must comply with NEC code.

Integral Driver Housing Information



Ordering Information for housing only	
NC	
Model	Driver
NC = New Construction Housing	S1 S2 SPH EM

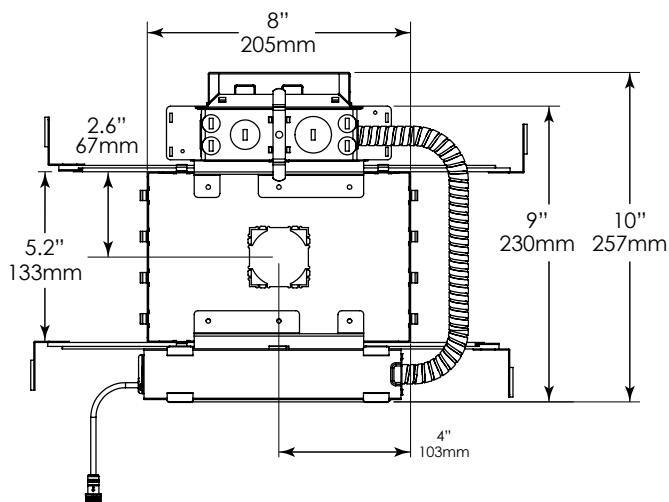
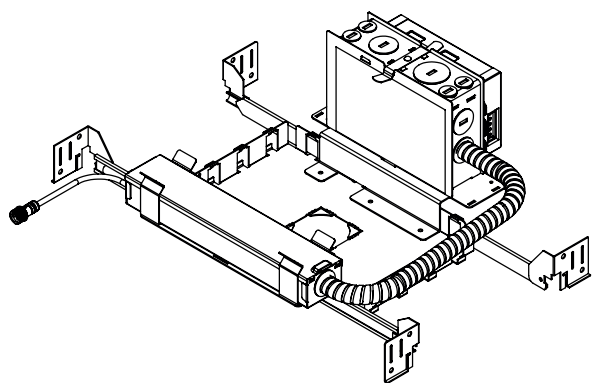
New Construction Housing

Driver

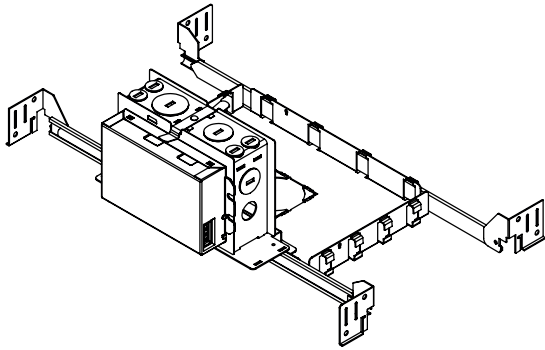
- New construction housing for accessible ceilings only
 - Housing compatible with round/ square insert for plaster/bezel
 - Integral junction box and driver accessible from adjacent accessible ceiling
 - Supplied with hanger bars that adjust between 13.6" and 24.5"
 - Galvanized steel constructions
- S1 = standard eldoLED non-dim or 1% 0-10V dimming, 120-277V, 12 W
 - S2 = standard eldoLED non-dim or 1% 0-10V dimming, 120-277V, 22W
 - SPH = standard phase (2-wire) 10% dimming, 120V only, 12W
 - EM = Emergency LED battery backup (remote only), 6W

Driver Part Number	Driver Wattage	Control Protocol	Dimming Level	Fixtures Per Driver	Housing [Integral]	Housing [Remote]
S1	12W	Non-Dim / 0-10V	1%	1	NC - IC - CP	LP - IC - CP
S2	22W	Non-Dim / 0-10V	1%	1 - 2	NC - IC - CP	LP - IC - CP
SPH	12W	Forward Phase	10%	1	NC - IC - CP	LP - IC - CP
EM	6W	Emergency	-	1	NC	X - LP - IC - CP

With Emergency Driver (EM)

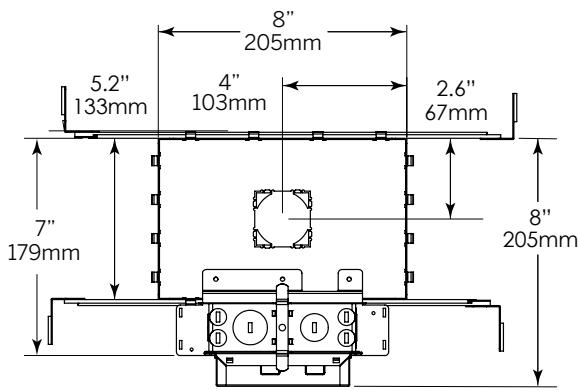


Integral Driver Housing Information



Ordering Information for housing only	
NC	
Model	Driver
NC = New Construction Housing	D010 PEQ0 DALI EM

Hanger bars adjustable from 13.6 to 24.5" (345 to 622mm)



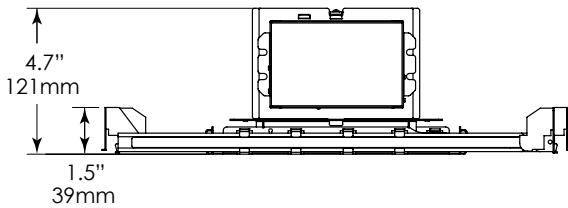
New Construction Housing

- New construction housing for accessible ceilings only
- Housing compatible with round/ square insert for plaster/bezel
- Integral junction box and driver accessible from adjacent accessible ceiling
- Supplied with hanger bars that adjust between 13.6" and 24.5"
- Galvanized steel constructions

Driver¹

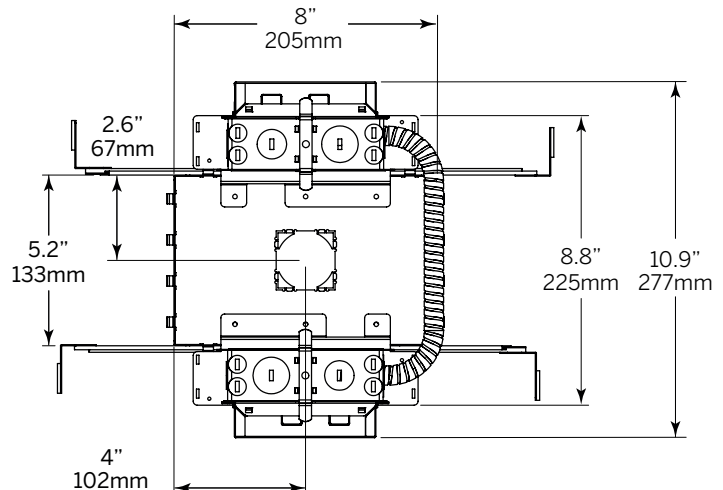
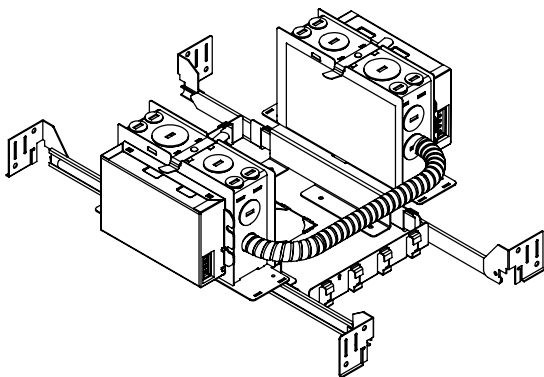
- D010 = EldoLED, 1% 0-10V dimming, 120-277V, 30W
- PEQ0 = Lutron Hi-lume Premier 0.1% EcoSystem. 120-277V, 20W
- DALI = eldoLED DALI-2 0.1% dimming 120-277V, 20W
- EM = Emergency LED battery backup (remote only), 6W

¹ PEQ0 driver will be mounted within junction box



Driver Part Number	Driver Wattage	Control Protocol	Dimming Level	Fixtures Per Driver	Housing [Integral]	Housing [Remote]
D010	30W	0-10V	1%	1 - 2	NC - IC - CP	LP - IC - CP
PEQ0	20W	EcoSystem	0.1%	1 - 2	NC - IC - CP	LP - IC - CP
DALI	20W	DALI-2	1%	1 - 2	NC - IC - CP	LP - IC - CP
EM	6W	Emergency	-	1	NC	X - LP - IC - CP

With Emergency Driver (EM)

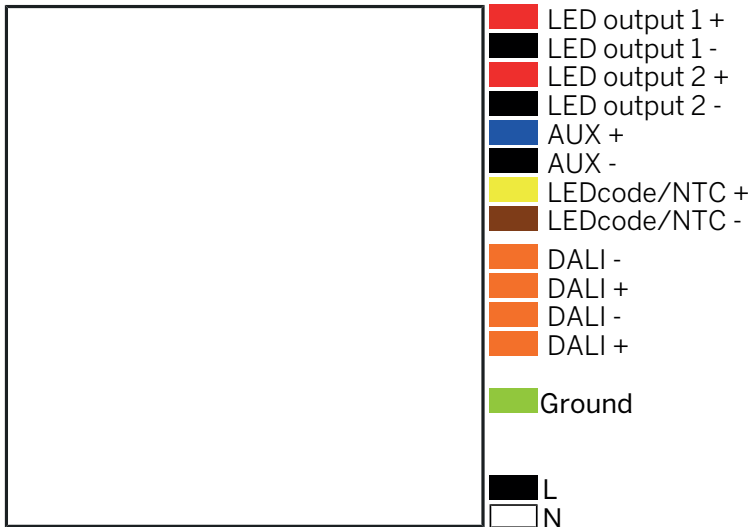


Remote Drivers

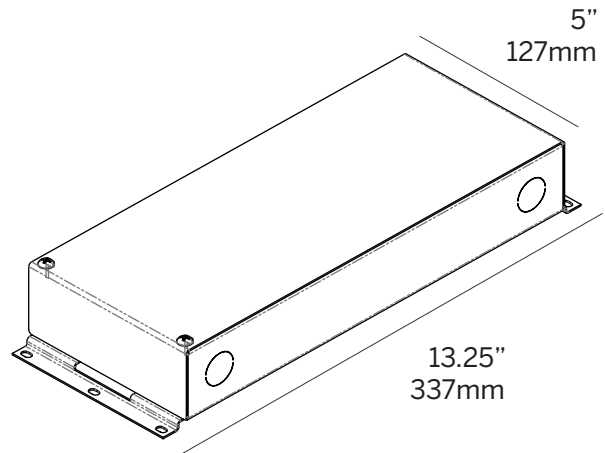
RDALI = Remote eldoLED DALI-2 0.1% dimming 120-277V

1-4 fixtures per driver

IMPORTANT: All fixtures must be wired in series!



Dry Location Enclosure
 surface mounting
 any orientation



NOTE: Driver Box has (4) knock-outs: (2) on each long side for Trade Size 1/2 conduit (7/8") diameter

Wire gauge	Maximum wiring distance ¹
AWG 20 (0.52 mm ²)	46 ft (14 m)
AWG 19 (0.65 mm ²)	59 ft (18 m)
AWG 18 (0.82 mm ²)	72 ft (22 m)
AWG 17 (1.04 mm ²)	92 ft (28 m)
AWG 16 (1.31 mm ²)	118 ft (36 m)

¹Actual distance must be calculated by installer. Must comply with NEC code.

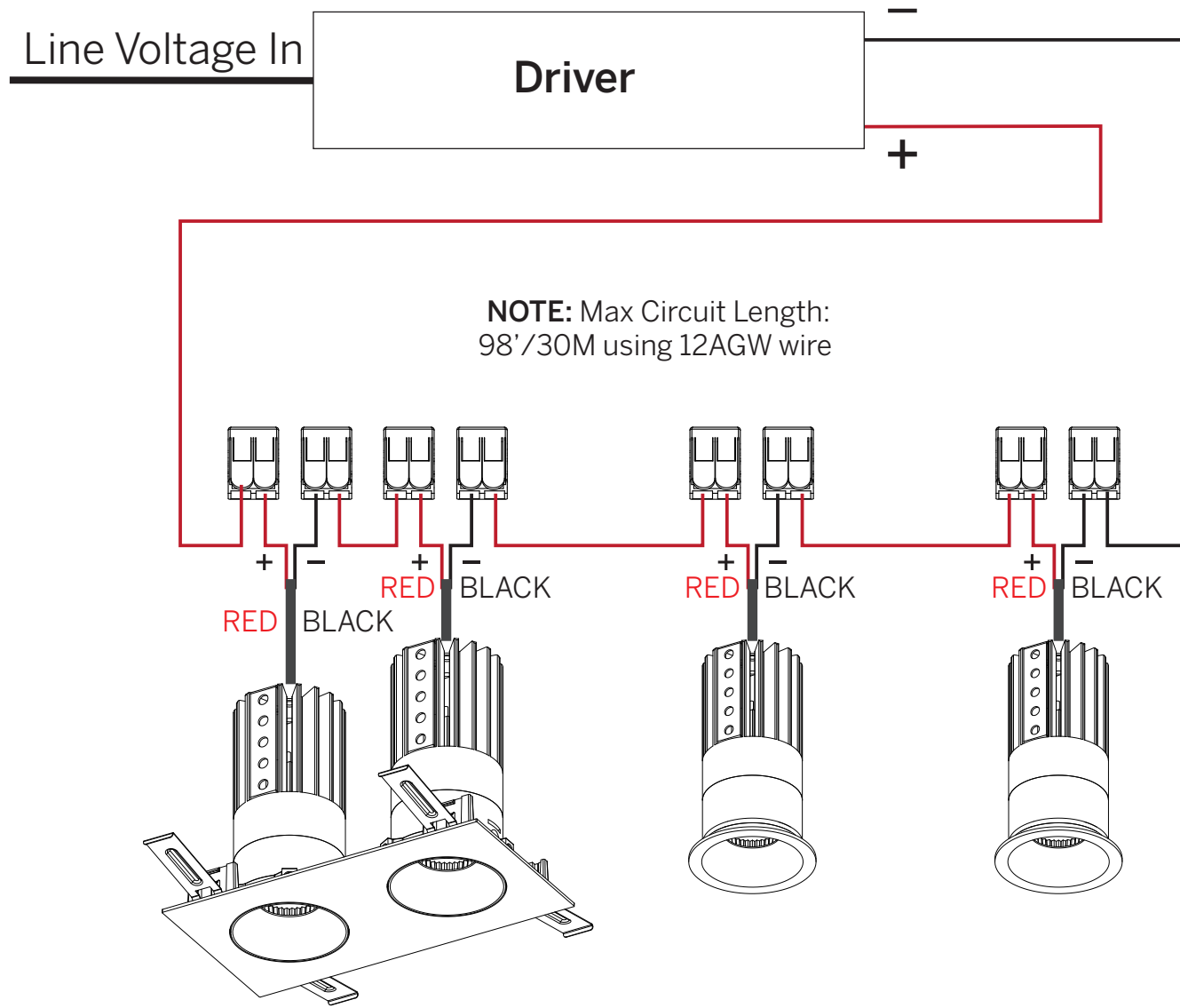
Driver & Wiring Information

Multiple Fixtures/One Driver

For Use With or Without Landing Pan

Refer to chart on pages 1 for total number of luminaires per driver

IMPORTANT: All fixtures must be wired in series!



Driver & Wiring Information

Multiple Fixtures/One Driver

For Use with Landing Pan and IC Box or Chicago Plenum

Refer to chart on pages 1 for total number of luminaires per driver

IMPORTANT: All fixtures must be wired in series!

NOTE:
Max Circuit Length:
98'/30M using
12AGW wire

