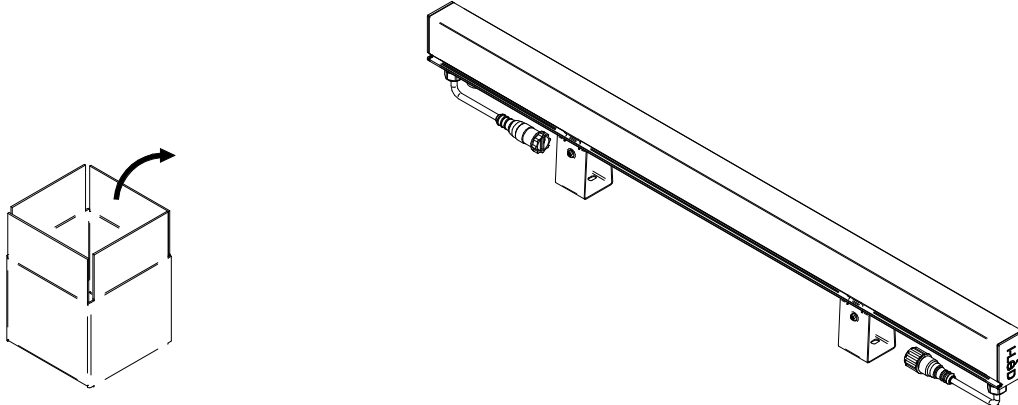




## PASEO DARK



**WARNING:** INSTALL PRODUCT IN ACCORDANCE WITH LOCAL AND NATIONAL ELECTRICAL CODES BY A QUALIFIED ELECTRICIAN

**WARNING:** FAILURE TO COMPLY WITH THE INSTALLATION INSTRUCTIONS MAY RESULT IN DEATH OR SEVERE INJURY.

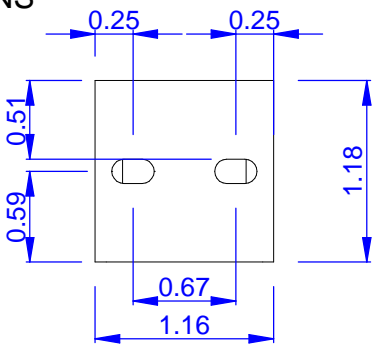
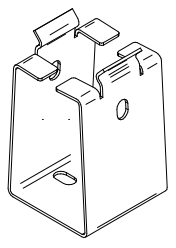
**WARNING:** READ ALL SAFETY INSTRUCTIONS INCLUDED WITH LUMINAIRE BEFORE INSTALLING LUMINAIRE. SAVE INSTRUCTIONS FOR FUTURE USE.

**CAUTION:** THIS IS AN ELECTRONIC DEVICE. CARE MUST BE TAKEN DURING STORAGE AND HANDLING. STORE IN A CLEAN, COOL AND DRY LOCATION. ELECTROSTATIC DISCHARGE (ESD) CAN HARM THIS PRODUCT. AVOID STATIC DISCHARGE WHILE HANDLING THIS PRODUCT.

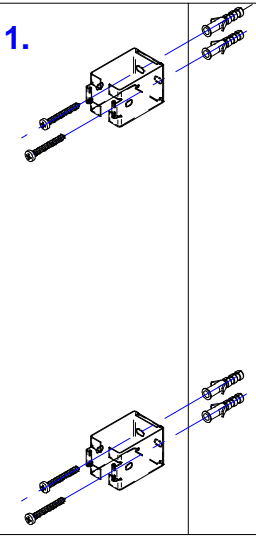
**CAUTION:** INTER-LUX IS NOT RESPONSIBLE FOR THE STRUCTURAL INTEGRITY OF THE BUILDING TO SUPPORT THE LUMINAIRE. ADDITIONAL BACKING MAY BE REQUIRED.

LOCATE AND REVIEW ANY CONSTRUCTION PLANS AND INTER-LUX RECORD DRAWINGS FOR ALL FIXTURE RUNS. IT IS RECOMMENDED TO LOCARE AND LAY OUT ALL COMPONENTS FOR EACH FIXTURE "RUN". A FIXTURE RUN TYPICALLY CONSISTS OF JOINERS, LENGTHS OF HOUSING, AND ENDCAPS. BE SURE TO IDENTIFY ALL CORRECT LENGTHS FOR EACH FIXTURE RUN.

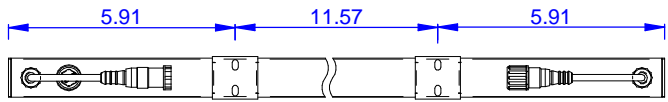
### INSTALLATION INSTRUCTIONS



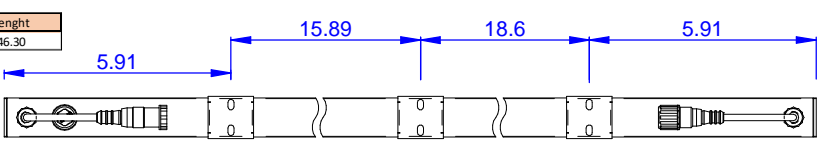
Anchors/screws included



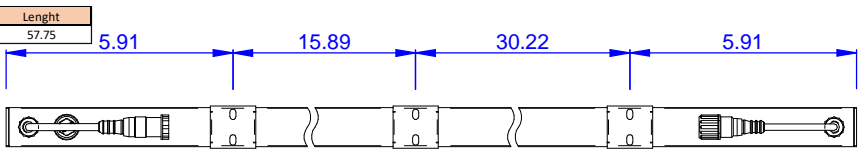
Part #	Length
E00060	23.38



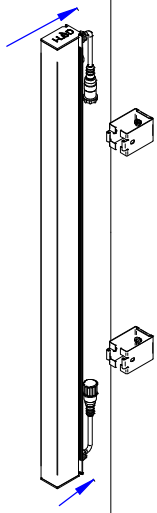
Part #	Length
E00061	46.30



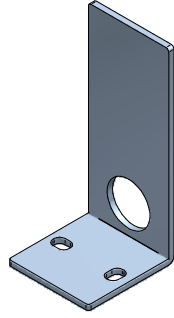
Part #	Length
E00062	57.75



2.

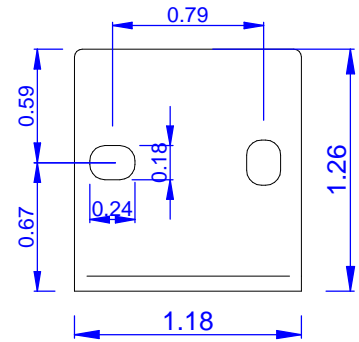


3.

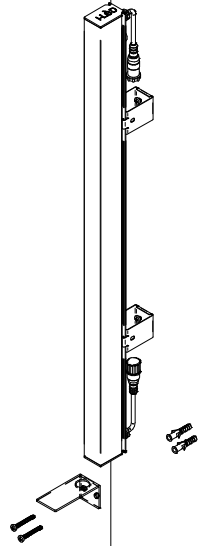


Part # E83162

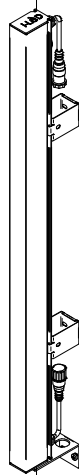
Screws/anchors not included.



4.



5.



For vertical installation, insert a bracket E83162 for every 4 items to prevent them from sliding on the clips.  
For horizontal installation two bracket E83162 are enough. Place one of them at the beginning and the other one at the end of the run.

THIS PRODUCT MUST BE INSTALLED IN ACCORDANCE WITH THE APPLICABLE INSTALLATION CODE BY A PERSON FAMILIAR WITH THE CONSTRUCTION AND OPERATION OF THE PRODUCT AND THE HAZARDS INVOLVED

### MOUNTING INSTRUCTIONS

READ ALL OF THESE INSTRUCTIONS BEFORE INSTALLING FIXTURES

- CAUTION: USE ONLY WITH CLASS 2 POWER UNIT
- Keep all of the instructions for future reference
- Turn off power before installing fixture
- Installation is to be performed by a qualified electrician only
- All installations must conform to the National Electrical Code as well as all local jurisdictional codes and regulations
- Any modification of the luminaire will void any and all written or implied warranties
- The manufacture accepts no responsibility for damage to persons or property arising through improper use or installation

# 24VDC REMOTE DRIVER

## Wiring procedure

- 1 Switch off the main switch.
- 2 Connect the Paseo to the power supply unit.
- 3 Connect the power supply unit to the mains line
- 4 Switch on the main switch

N.B

All maintenance and installation operations must be carried out with the main switch turned off

The Paseo must be powered at 24Vdc in constant voltage.



cod. E99216 (4.9ft)  
cod. E89190 (16.4ft)

POWER CABLE  
F 4 Pin M12

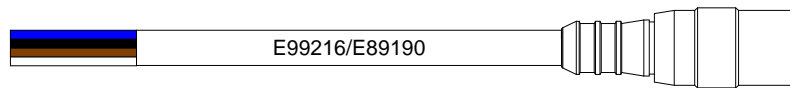


cod. E98437 (3.3ft)  
cod. E98149 (16.4ft)  
cod. E89188 (32.8ft)

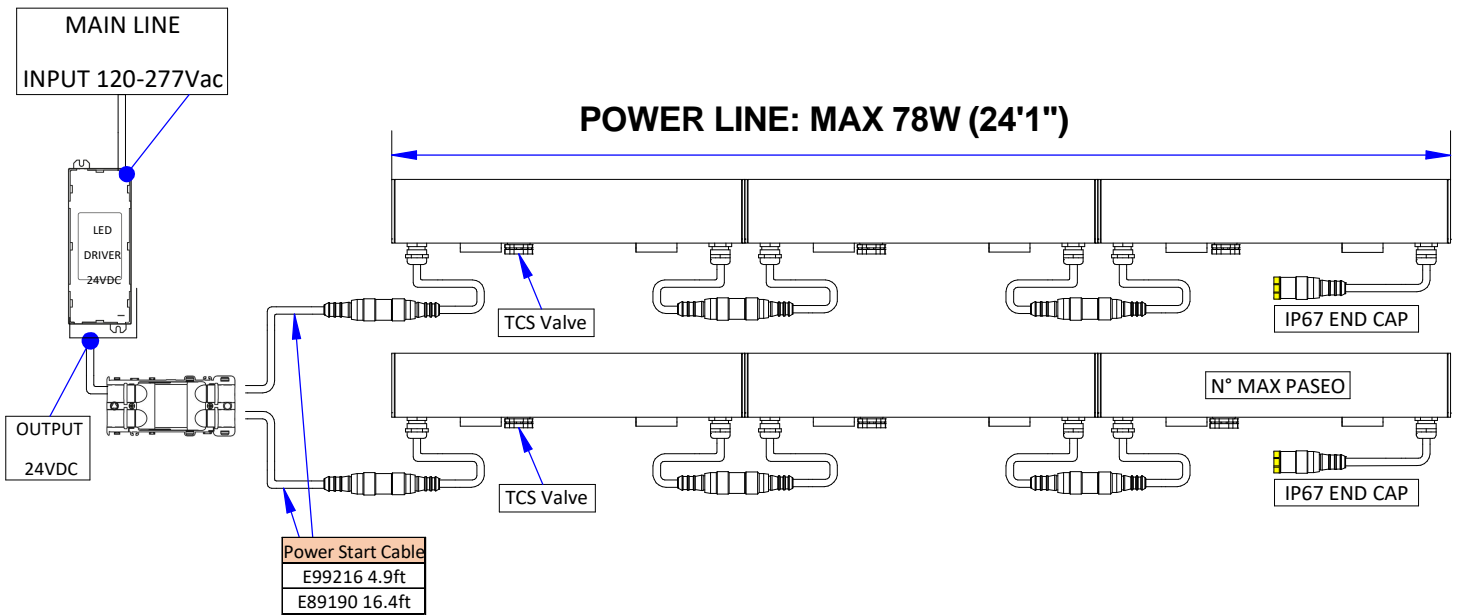
EXTENSION CABLE  
M + F 4 Pin M12

All power supply, wiring and accessories used for product installation shall be original Linea Light Group parts or approved by the company. The warranty will become void if non original or non approved parts are used.

- BLUE WIRE = NEGATIVE (-)
- BLACK WIRE = NEGATIVE (-)
- BROWN WIRE = POSITIVE (+)
- WHITE WIRE = POSITIVE (+)



Connect BLUE and BLACK wires of E99216 or E89190 to the power supply NEGATIVE.  
Connect BROWN and WHITE wires of E99216 or E89190 to the power supply POSITIVE.



MOD.	COD.	POWER W	LENGTH (inch)	MAX N° PASEO ON A SINGLE RUN
PASEO_DARK	PA-D-OB-23-6-CV-(cct)-GE (Old E00060)	6.25	23.38	12
	PA-D-OB-46-12-CV-(cct)-GE (Old E00061)	12	46.30	6
	PA-D-OB-58-15-CV-(cct)-GE (Old E00062)	15	57.75	5