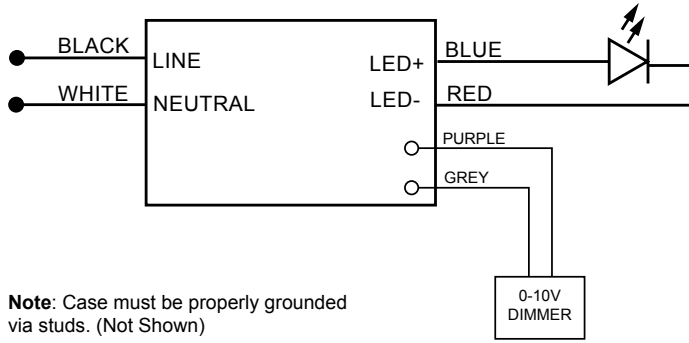


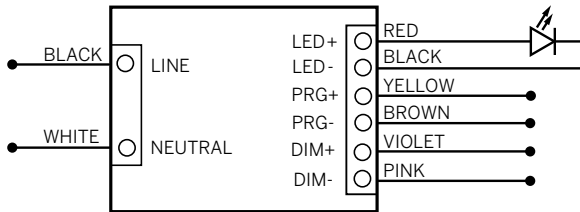
# 2.4" ProTools Cylinders - Integral driver information

Please refer to driver manufacturer's website for current data sheets and wiring guidelines.

**S2 = standard eldoLED non-dim or 1% 0-10V dimming, 120-277V, 22W** [spec sheet](#)



**SPH2 = standard phase (2-wire) 1% dimming, 120V only, 20W (M / H power only)** [spec sheet](#)

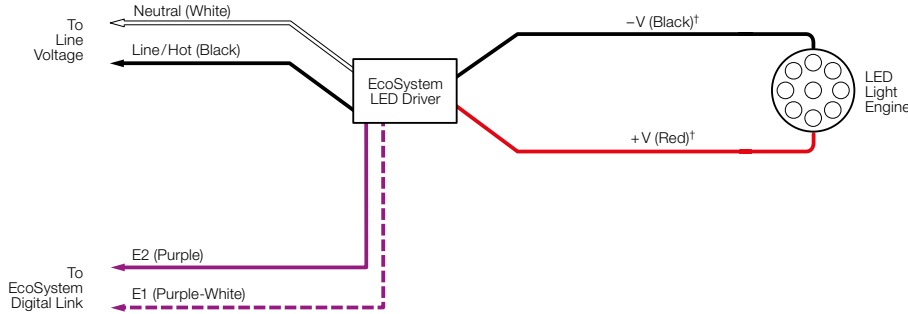


### Dimmer/Sensor Compatibility

Manufacturer	Model	Type
LUTRON	SCL-153P	Leading Edge (Forward Phase) / TRIAC
LEVITON	6674-P	Leading Edge (Forward Phase) / TRIAC
LUTRON	MACL-153M	Leading Edge (Forward Phase) / TRIAC
LUTRON	DVCL-153P	Leading Edge (Forward Phase) / TRIAC
LUTRON	PD-6WCL	Leading Edge (Forward Phase) / TRIAC
LEGRAND	RHCL453P	Leading Edge (Forward Phase) / TRIAC
LEVITON	IPE04-1LZ	Trailing Edge (Reverse Phase)
LUTRON	DVLV-600P	Trailing Edge (Reverse Phase)
LUTRON	MAELV-600	Trailing Edge (Reverse Phase)
LUTRON	SELV-300P	Trailing Edge (Reverse Phase)
LUTRON	RA2 RRD 6NA 600W	Trailing Edge (Reverse Phase)
LUTRON	DVELV-300P	Trailing Edge (Reverse Phase)

# 2.4" ProTools Cylinders - Integral driver information

PEQ0 = Lutron Hi-Lume Premier 0.1% EcoSystem, 120-277V, 20W [spec sheet](#)

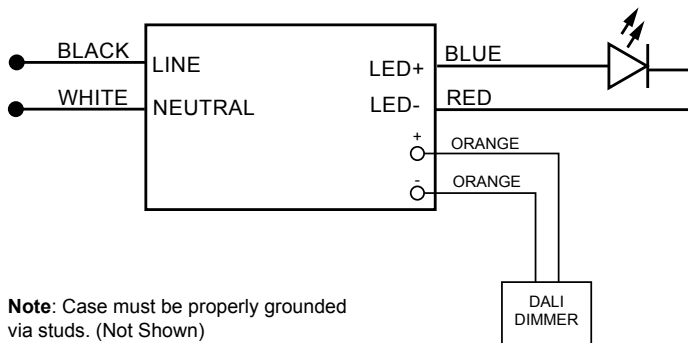


## Compatible Controls: Lutron EcoSystem Digital Controls

Lutron EcoSystem Compatible Controls	Part Number		Drivers per Control		
	120 V~	277 V~	EcoSystem Loops per Control	Drivers per EcoSystem Loop	Maximum Drivers per Control
PowPak Dimming Modules	RMJ-ECO32-DV-B		1	32	32
	FCJ/FCJS-ECO <sup>1</sup>		1	3	3
Energi Savr Node	QSN-1ECO-S	N/A	1	64	64
	QSN-2ECO-S		2	64	128
GRAFIK Eye QS / HomeWorks QS control unit	QSGRJ-_E (wireless) QSGR-_E	N/A	1	64	64
Quantum Hub	QP2-_ _ 2C	N/A	2	64	128
	QP2-_ _ 4C		4	64	256
	QP2-_ _ 6C		6	64	384
	QP2-_ _ 8C		8	64	512

<sup>1</sup> All devices connected to one FCJ/FCJS-ECO will be controlled together. Devices will dim to the same level as the result of a control command. For more detail on adjusting low-end light level refer to Application Note #556 (048556) at [www.lutron.com](http://www.lutron.com)

DALI = eldoLED DALI-2 1% dimming, 120-277V, 22W [spec sheet](#)



**Note:** Case must be properly grounded via studs. (Not Shown)