

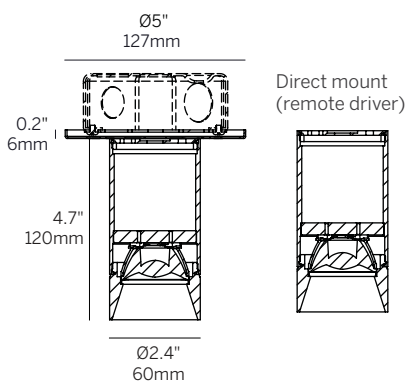
# 2.4" ProTools Downlight

## Round Cylinder

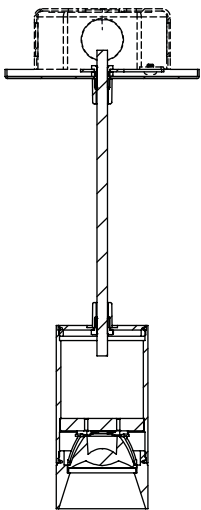


Ordering Information											
WG-60RPTDL							RRC				
Model	Mounting	Canopy	Power <sup>2</sup>	CRI	CCT <sup>3</sup>	Driver <sup>4</sup>	Cover	Lens	Beam	Finish	Options
WG-60RPTDL	SM SC1 <sup>1</sup> SC2 <sup>1</sup> SC3 <sup>1</sup> SR1 SR2 SR3 SRX	5 X	L M H	92 95	27 30 35 40 WD	RS2 RSPH2 RPEQ0 RDALI RDMX X <sup>5</sup>	RRC	OA SOL LSL HL	15 20 25 35 50	W (std) B S F	EM WL

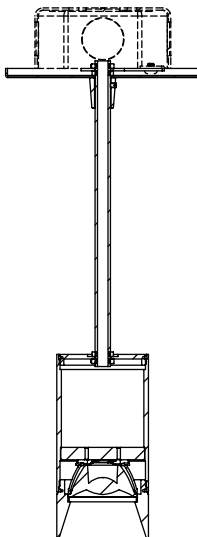
Surface mount (SM)



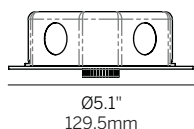
Suspended cable (SC)



Suspended rigid stem (SR)



Canopy (5" dia, 4" j-box)



### Luminaire

- 2.4" round ceiling mounted cylinder downlight.
- Surface, suspended cable and rigid stem mounting.
- Wide range of LED CCTs and reflectors.
- High lumen output and excellent color rendition for all applications. Efficacy up to 140 lumens per watt (delivered).
- UGR < 19 for some configurations to comply with WELL requirements.
- CREE 2 step McAdam LEDs.
- CRI >92+ standard, >95+ available.
- Warm Dim 1800 - 3000K.
- Long life L70 55,000 hrs based on LM-80 & TM-21 applicable test data.
- Constant current drivers.
- 0-10V, Phase, Lutron, DALI and DMX options available.
- 5 Year warranty.

### Mounting

- SM = Surface mounted
- SC1 = Suspended cable 39.4" (1m)<sup>1</sup>
- SC2 = Suspended cable 78.7" (2m)<sup>1</sup>
- SC3 = Suspended cable 118.1" (3m)<sup>1</sup>
- SR1 = Suspended rigid stem 39.4" (1m)
- SR2 = Suspended rigid stem 78.7" (2m)
- SR3 = Suspended rigid stem 118.1" (3m)
- SRX = Suspended rigid stem (specify to nearest 0.25", 118.1" max.)

### Canopy

- 5 = 5" dia. for 4" j-box
- X = No Canopy (surface mount only)

### Power<sup>2</sup>

- L = Low Power, 6.3W @ 350mA
- M = Mid Power, 9W @ 250mA
- H = High Power, 12W @ 350mA

### CRI

- 92 = 92 CRI
- 95 = 95 CRI (n/a for WD)

### CCT<sup>3</sup>

- 27 = 2700K
- 30 = 3000K
- 35 = 3500K
- 40 = 4000K
- WD = Warm Dimming 1800 - 3000K

### Remote Driver<sup>4</sup>

- RS2 = standard eldoLED non-dim or 1% 0-10V dimming, 120-277V, 22W
- RSPH2 = standard phase (2-wire) 1% dimming, 120V only, 20W (M / H power only)
- RPEQ0 = Lutron Hi-Lume Premier 0.1% EcoSystem, 120-277V, 20W
- RDALI = eldoLED DALI-2 1% dimming, 120-277V, 22W
- RDMX = eldoLED DMX 0.1% dimming, 120-277V, 30W
- X = No Driver<sup>5</sup>

### Cover

- RRC = Round Recessed Cone

### Lens (one accessory per fixture)

- OA = Open Aperture
- SOL = Solite Lens
- LSL = Linear Spread Lens
- HL = Honeycomb Louver

### Beam

- 15 = 15° Beam Angle (n/a for WD)
- 20 = 20° Beam Angle
- 25 = 25° Beam Angle
- 35 = 35° Beam Angle (40° for WD)
- 50 = 50° Beam Angle

### Housing / Reflector Finish

- W = White, RAL 9003 (standard)
- B = Black, RAL 9017
- S = Silver, RAL 9006
- F = Custom finish, specify RAL code

### Options

- EM = Emergency LED battery backup (remote only)
- WL = Wet location (IP65)

1. Suspended cable field adjustable.  
 2. Wattage shown is for LED only, system wattage varies depending on driver selected.  
 3. See photometric data sheet for delivered lumens.  
 4. See driver information for details.  
 5. Refer to driver information page for driver options that can power multiple fixtures. Ordered separately.