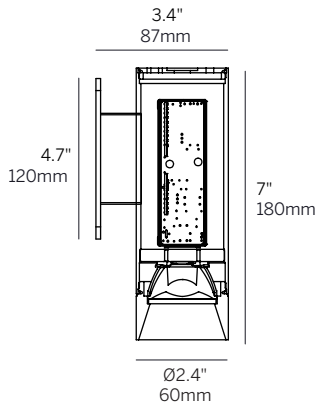


2.4" ProTools Downlight

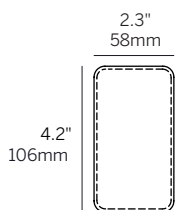
Round Cylinder Wall Mount



Surface wall mount (SW)



Surface wall mount (single gang J-box)



Ordering Information										
Model	Mounting	Power ¹	CRI	CCT ²	Driver ³	Cover	Lens	Beam	Finish	Options
WG-60RPTDL	SW	L M H	92 95	27 30 35 40 WD	S2 SPH2 PEQ0 DALI RDMX X ⁴	RRC	OA SOL LSL HL	15 20 25 35 50	W (std) B S F	EM

Luminaire

- Wall mounted 2.4" round cylinder downlight.
- High lumen output and excellent color rendition for all applications. Efficacy up to 140 lumens per watt (delivered).
- UGR < 19 for some configurations to comply with WELL requirements.
- CREE 2 step McAdam LEDs.
- CRI >92+ standard, >95+ available.
- Warm Dim 1800 - 3000K.
- Long life L70 55,000 hrs based on LM-80 & TM-21 applicable test data.
- Constant current drivers.
- 0-10V, Phase, Lutron, DALI and DMX options available.
- 5 Year warranty.

Mounting

- SW = Surface Wall Mount (single gang J-box)

Power¹

- L = Low Power, 6.3W @ 350mA
- M = Mid Power, 9W @ 250mA
- H = High Power, 12W @ 350mA

CRI

- 92 = 92 CRI
- 95 = 95 CRI (n/a for WD)

CCT²

- 27 = 2700K
- 30 = 3000K
- 35 = 3500K
- 40 = 4000K
- WD = Warm Dimming 1800 - 3000K

Integral Driver³

- S2 = standard eldoLED non-dim or 1% 0-10V dimming, 120-277V, 22W
- SPH2 = standard phase (2-wire) 1% dimming, 120V only, 20W (M / H power only)
- PEQ0 = Lutron Hi-Lume Premier 0.1% EcoSystem, 120-277V, 20W
- DALI = eldoLED DALI-2 1% dimming, 120-277V, 22W

Remote Driver³

- RDMX = eldoLED DMX 0.1% dimming, 120-277V, 30W
- X = No Driver⁴

Cover

- RRC = Round Recessed Cone

Lens (one accessory per fixture)

- OA = Open Aperture
- SOL = Solite Lens
- LSL = Linear Spread Lens
- HL = Honeycomb Louver

Beam

- 15 = 15° Beam Angle (n/a for WD)
- 20 = 20° Beam Angle
- 25 = 25° Beam Angle
- 35 = 35° Beam Angle (40° for WD)
- 50 = 50° Beam Angle

Housing / Reflector Finish

- W = White, RAL 9003 (standard)
- B = Black, RAL 9017
- S = Silver, RAL 9006
- F = Custom finish, specify RAL code

Options

- EM = Emergency LED battery backup (remote only)

1. Wattage shown is for LED only, system wattage varies depending on driver selected.
2. See photometric data sheet for delivered lumens.
3. See driver information for details.
4. Refer to driver information page for driver options that can power multiple fixtures. Ordered separately.