

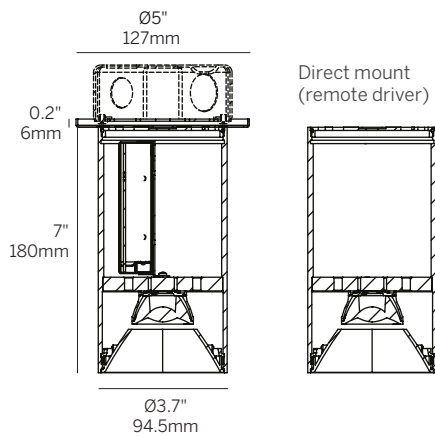
4" ProTools Downlight

Round Cylinder

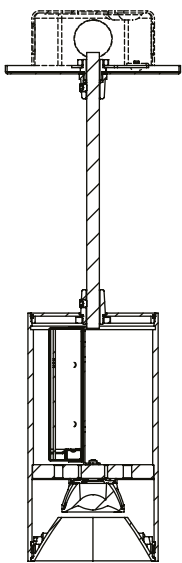


Ordering Information												
Model	Mounting	Canopy	Power ²	CRI	CCT ³	Driver ⁴	Cover	Lens	Beam	Housing Finish	Reflector Finish	Options
WG-100RPTDL							RRC					
WG-100RPTDL	SM SC1 ¹ SC2 ¹ SC3 ¹ SR1 SR2 SR3 SRX	5 X	L M H	92 95	27 30 35 40 WD	S2 ET15 DALI RPEQ0 RDMX X ⁵	RRC	OA SOL LSL HL	15 20 25 35 50	W (std) B S F	W (std) B S F	EM WL

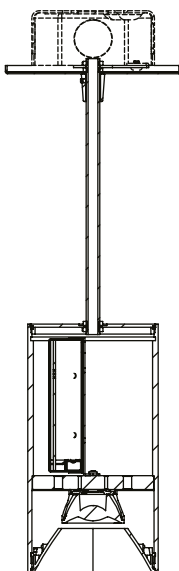
Surface mount (SM)



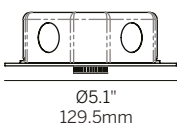
Suspended cable (SC)



Suspended rigid stem (SR)



Canopy (5" dia, 4" j-box)



Luminaire

- 4" round ceiling mounted cylinder downlight.
- Surface, suspended cable and rigid stem mounting.
- Wide range of LED CCTs and reflectors.
- High lumen output and excellent color rendition for all applications. Efficacy up to 140 lumens per watt (delivered).
- UGR < 19 for some configurations to comply with WELL requirements.
- CREE 2 step McAdam LEDs.
- CRI >92+ standard, >95+ available.
- Warm Dim 1800 - 3000K.
- Long life L70 55,000 hrs based on LM-80 & TM-21 applicable test data.
- Constant current drivers.
- 0-10V, Phase, Lutron, DALI and DMX options available.
- 5 Year warranty.

Mounting

- SM = Surface mounted
- SC1 = Suspended cable 39.4" (1m)¹
- SC2 = Suspended cable 78.7" (2m)¹
- SC3 = Suspended cable 118.1" (3m)¹
- SR1 = Suspended rigid stem 39.4" (1m)
- SR2 = Suspended rigid stem 78.7" (2m)
- SR3 = Suspended rigid stem 118.1" (3m)
- SRX = Suspended rigid stem (specify to nearest 0.25", 118.1" max.)

Canopy

- 5 = 5" dia. for 4" j-box
- X = No Canopy (surface mount only)

Power²

- L = Low Power, 6.3W @ 350mA
- M = Mid Power, 9W @ 250mA
- H = High Power, 12W @ 350mA

CRI

- 92 = 92 CRI
- 95 = 95 CRI (n/a for WD)

CCT³

- 27 = 2700K
- 30 = 3000K
- 35 = 3500K
- 40 = 4000K
- WD = Warm Dimming 1800 - 3000K

Integral Driver⁴

- S2 = standard eldoLED non-dim or 1% 0-10V dimming, 120-277V, 22W
- ET15 = standard phase (2-wire) 1% dimming, 120V only, 15W (M / H power only)
- DALI = eldoLED DALI-2 1% dimming, 120-277V, 22W

Remote Driver⁴

- RPEQ0 = Lutron Hi-Lume Premier 0.1% EcoSystem, 120-277V, 20W
- RDMX = eldoLED DMX 0.1% dimming, 120-277V, 30W
- X = No Driver⁵

Cover

- RRC = Round Recessed Cone

Lens (one accessory per fixture)

- OA = Open Aperture
- SOL = Solite Lens
- LSL = Linear Spread Lens
- HL = Honeycomb Louver

Beam

- 15 = 15° Beam Angle (n/a for WD)
- 20 = 20° Beam Angle
- 25 = 25° Beam Angle
- 35 = 35° Beam Angle (40° for WD)
- 50 = 50° Beam Angle

Housing Finish

- W = White, RAL 9003 (standard)
- B = Black, RAL 9017
- S = Silver, RAL 9006
- F = Custom finish, specify RAL code

Reflector Finish

- W = White, RAL 9003 (standard)
- B = Black, RAL 9017
- S = Silver, RAL 9006
- F = Custom finish, specify RAL code

Options

- EM = Emergency LED battery backup (remote only)
- WL = Wet location (IP65)

- Suspended cable field adjustable.
- Wattage shown is for LED only, system wattage varies depending on driver selected.
- See photometric data sheet for delivered lumens.
- See driver information for details.
- Refer to driver information page for driver options that can power multiple fixtures. Ordered separately.