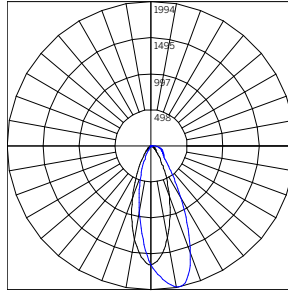


4" ProTools Wall Wash Round Cylinder

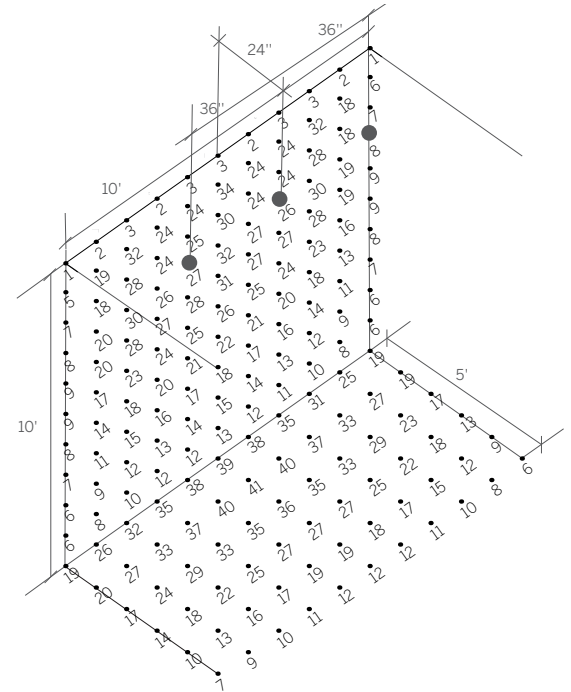
WG-100RPTWW-...-RWW-WW-W-SCW
Delivered Lumens

CRI-CCT ¹		Power		
		L [6.3W]	M [9W]	H [12W]
92-27		587	805	1089
92-30		612	839	1135
92-35		618	848	1147
92-40		619	850	1150



BEAM ANGLE (0-180) = 36.5°
BEAM ANGLE (90-270) = 39.0°

ISOILLUMINANCE - HIGH POWER 3500K RRW WW
WG-100RPTWW-...-H-92-35-...-RWW-WW-W-SCW²



CRI-CCT MULTIPLIER			
92-27	92-30	92-35	92-40
0.95	0.99	1.00	1.00

POWER MULTIPLIER		
L [6.3W]	M [9W]	H [12W]
0.53	0.72	1.00

- 1 95CRI LEDs provide approximately 5% less lumens than 92CRI LED values noted in Delivered Lumens chart.
- 2 Polar Plot and Isoillumination are applicable to part number noted; use Multiplier table(s) to approximate other CRI-CCT and Power options.