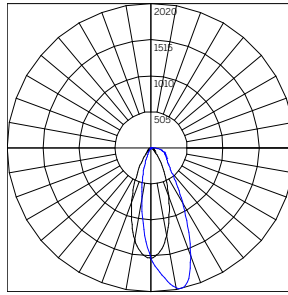


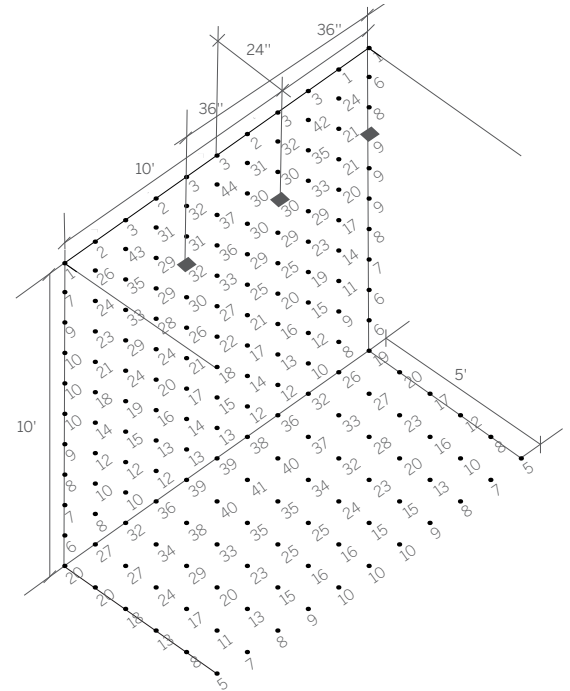
4" ProTools Wall Wash Square Cylinder

WG-100SPTWW-...-SWW-WW-W-SCW Delivered Lumens				
		Power		
		L [6.3W]	M [9W]	H [12W]
CRI-CCT ¹	92-27	602	826	1117
	92-30	628	861	1164
	92-35	634	870	1177
	92-40	635	872	1180



BEAM ANGLE (0-180) = 34.7°
BEAM ANGLE (90-270) = 38.8°

ISOILLUMINANCE - HIGH POWER 3500K SWW WW WG-100SPTWW-...-H-92-35-...-SWW-WW-W-SCW²



CRI-CCT MULTIPLIER			
92-27	92-30	92-35	92-40
0.95	0.99	1.00	1.00

POWER MULTIPLIER		
L [6.3W]	M [9W]	H [12W]
0.53	0.72	1.00

- 1 95CRI LEDs provide approximately 5% less lumens than 92CRI LED values noted in Delivered Lumens chart.
- 2 Polar Plot and Isoillumination are applicable to part number noted; use Multiplier table(s) to approximate other CRI-CCT and Power options.