

IMPORTANT: Fixture(s) must be wired in series! Refer to driver wiring document

Luminaires must be installed by a qualified electrician. Check with local and national codes for proper installation.

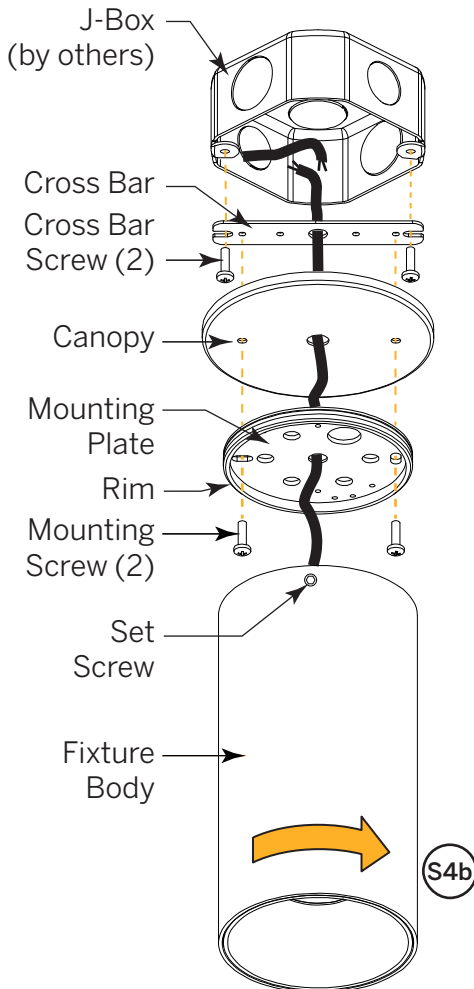


To prevent electrical shock disconnect electrical supply before installation or servicing.

Never connect a live fixture!!!

Contractor is responsible for adequately reinforcing walls and/or ceilings to support fixture weight. Provide blocking when necessary.

Integral Driver



Step 1

Confirm Power Supply is Off!

Unpack luminaire unit.

Step 2

Ceiling Preparation

Mark location, cut opening, and mount J-Box. Pull power (and control) cable(s) inside. Attach Cross Bar with supplied screws.

Step 3

Electrical Connection

- a** From Fixture, feed cable through center of Mounting Plate, followed by Canopy.
- b** Inside J-Box, connect to power (and control) wire(s) using suitable connectors.

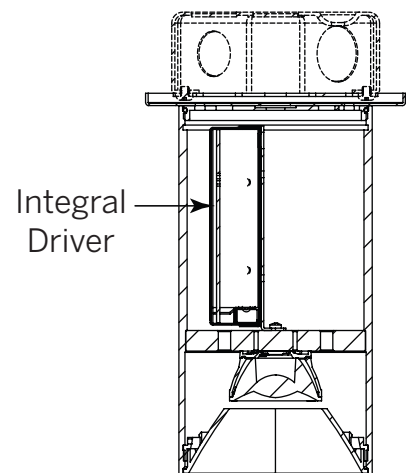
Step 4

Mount Luminaire

- a** Secure Canopy and Mounting Plate to Cross Bar with (2) Mounting Screws.
- b** Slip Fixture Body over Rim of Mounting Plate. Secure by rotating clockwise. Lock into place with Set Screw.

Included in Box

- (1) Fixture Body with Integral Driver & connected cable
- (1) Cross Bar
- (2) Cross Bar Screws
- (1) Mounting Plate
- (1) Canopy
- (2) Mounting Screws
- (1) Set Screw



Cross-Section of Fixture

Need Help?