

IMPORTANT: Fixture(s) must be wired in series! Refer to driver wiring document

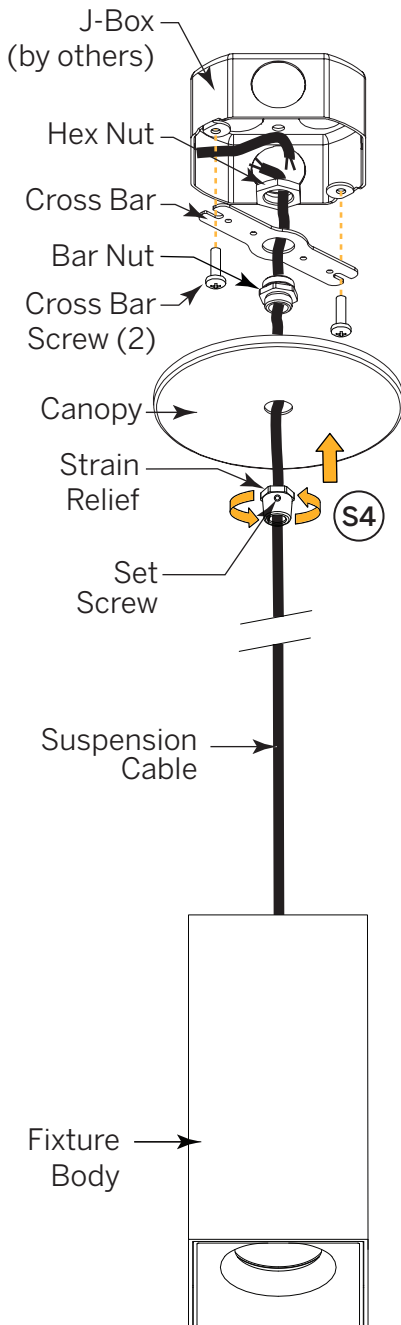
Luminaires must be installed by a qualified electrician. Check with local and national codes for proper installation.



To prevent electrical shock disconnect electrical supply before installation or servicing.

Never connect a live fixture!!!

Contractor is responsible for adequately reinforcing walls and/or ceilings to support fixture weight. Provide blocking when necessary.



Step 1

Confirm Power Supply is Off!

Unpack luminaire unit. Remote drivers and housings are supplied by Inter-lux.

Step 2

Ceiling Preparation

- a** Mark location, cut opening, and mount J-Box. Pull power (and control) cable(s) inside. Attach Cross Bar with supplied screws.
- b** Screw Bar Nut to bottom of Cross Bar. Secure with Hex Nut above Bar.

Step 3

Electrical Connection

- a** From fixture, feed cable through Strain Relief and Canopy into J-Box.

NOTE: Hex Side of Strain Relief to contact canopy, as shown.

- b** Connect power (and control) wire(s) using suitable connectors.

Step 4

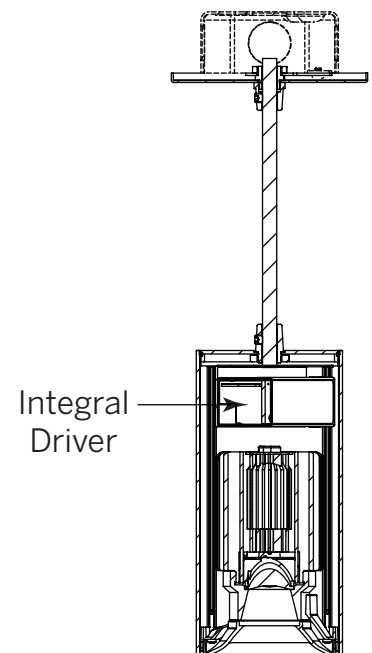
Secure Luminaire

Slide Canopy and Strain Relief up the suspension cable to the ceiling. Screw Strain Relief to Bar Nut. Lock in place with Set Screw.

Need Help?

Included in Box

- (1) Fixture Body with Integral Driver (or none, if remote driver specified) with connected cable.
- (1) Cross Bar
- (2) Cross Bar Screws
- (1) Bar Nut
- (1) Bar Hex Nut
- (1) Canopy
- (1) Strain Relief with Set Screw



Cross-Section of Fixture