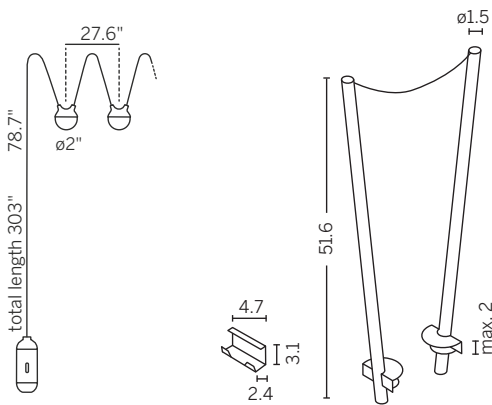


Suspension Lights (includes 7 lights)



cherry bubbls canes	color	item no.	system performance
	black	93853	1.5 W/60 lm



accessory	article	item no.
	Powerbank (included)	US53400

technical information:

LED
NiMH battery
3x 2400 mAh
2700K
power pack

battery operating time:

- approx. 10 hrs at 100% (level 3)
- approx. 20 hrs at 50% (level 2)
- approx. 40 hrs at 25% (level 1)

3-step-dimming

6.6ft USB-C-cable included
(US-ET-93000-USB-C-BL)

material:

mouth-blown crystal glass
aluminum die-casting
powder-coated

protection class:
IP65

EEC:



light direction:

