

4" ProTools Downlights



whitegoods



whitegoods

Whitegoods has developed a complete range of Downlights which utilize the form factor of LED to reduce even further their visual impact, and of course they all hold true to our constant principles.

Our Philosophy

- Reduction of detail
- Seamless architectural integration
- Logical, modular systems and families of products
- Ease of specification, installation and maintenance

4" ProTools Downlights

Whitegoods offers a comprehensive range of 4" downlights with functionality and performance characteristics to suit all applications.

All our luminaires are designed and manufactured to the highest possible standards, incorporating many unique features and utilizing the best available materials and components. We are constantly seeking to deliver the best possible quality of light with our luminaires, so you can be sure that the light engines we select are as good as it gets: market leading performance across the range.

Made in the USA and in stock in Maryland.



Introduction

Application Guide

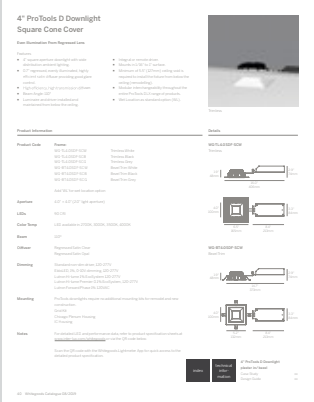
Whitegoods products are extremely versatile and can be integrated in a multitude of ways. Within this section of the book, you will find examples of a range of luminaires used in varying applications, including examples of the detailing used to achieve them.

Product Details

Within this section, you will find detailed information for all Whitegoods products, including key features, selectable options, critical dimensions, mounting possibilities and aesthetic choices. The information you need to help select the perfect luminaire for your application, without the clutter of every last technical detail. But, we also know that ultimately you and your team will need all the technical details, so we have developed a unique way to access and share detailed product specifications. Have a look at the section below, which explains how it works. It's simple and quick.

Design Guide

We have provided performance data and characteristics for Whitegoods luminaires, as well as providing expected light levels and typical scenarios based on set parameters. The results are intended as a handy reference to help the specifier plan a project quickly, efficiently and with confidence.



4" ProTools D Downlight Square Cone Cover











Whitegoods has developed a unique and innovative way to access and share product specifications, design guides and photometric files of the products you select.

Simply click the technical information button and you will be taken to the product page, where you can view and download technical information.





















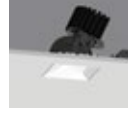

4" ProTools Downlights Range





Fixed Downlights

| | | |
|--|---|---------------|
|  | 4" ProTools D Downlight Square Flush Diffuser Product details Design guide | 32 106-113 |
|  | 4" ProTools D Downlight Round Flush Diffuser Product details Design guide | 34 106-109 |
|  | 4" ProTools D Downlight Square Recessed Cone Product details | 36 |
|  | 4" ProTools D Downlight Round Recessed Cone Product details | 38 |
|  | 4" ProTools D Downlight Square Regressed Pinhole Product details | 40 |
|  | 4" ProTools D Downlight Round Regressed Pinhole Product details | 42 |
|  | 4" ProTools DL Downlight Square Recessed Cone Product details Design guide | 44 106-109 |
|  | 4" ProTools DL Downlight Round Recessed Cone Product details Design guide | 46 106-109 |
|  | 4" ProTools DL Downlight Square Regressed Pinhole Product details Design guide | 48 106-109 |
|  | 4" ProTools DL Downlight Round Regressed Pinhole Product details Design guide | 50 106-109 |



Adjustable Downlights

| | | |
|--|--|---------------|
|  | 4" ProTools DL Adjustable Square Recessed Cone Product details Design guide | 52 106-109 |
|  | 4" ProTools DL Adjustable Round Recessed Cone Product details Design guide | 54 106-109 |
|  | 4" ProTools DL Adjustable Square Regressed Pinhole Product details Design guide | 56 106-109 |
|  | 4" ProTools DL Adjustable Round Regressed Pinhole Product details Design guide | 58 106-109 |
|  | 4" ProTools DL Adjustable Square Asymmetric Cone Product details Design guide | 60 106-109 |
|  | 4" ProTools DL Adjustable Round Asymmetric Cone Product details Design guide | 62 106-109 |
|  | 4" ProTools DLX Adjustable Square Recessed Cone Product details Design guide | 68 106-109 |
|  | 4" ProTools DLX Adjustable Square Recessed Cone - Narrow Product details Design guide | 70 106-109 |
|  | 4" ProTools DLX Adjustable Square Recessed Cone - Zoom Product details Design guide | 72 106-109 |
|  | 4" ProTools DLX Adjustable Round Recessed Cone Product details Design guide | 74 106-109 |

| | | |
|---|--|---------------|
|  | 4" ProTools DLX Adjustable Round Recessed Cone - Narrow Product details Design guide | 76 106-109 |
|  | 4" ProTools DLX Adjustable Round Recessed Cone - Zoom Product details Design guide | 78 106-109 |
|  | 4" ProTools DLX Adjustable Square Regressed Pinhole Product details Design guide | 80 106-109 |
|  | 4" ProTools DLX Adjustable Square Regressed Pinhole - Narrow Product details Design guide | 82 106-109 |
|  | 4" ProTools DLX Adjustable Square Regressed Pinhole - Zoom Product details Design guide | 84 106-109 |
|  | 4" ProTools DLX Adjustable Round Regressed Pinhole Product details Design guide | 86 106-109 |
|  | 4" ProTools DLX Adjustable Round Regressed Pinhole - Narrow Product details Design guide | 88 106-109 |
|  | 4" ProTools DLX Adjustable Round Regressed Pinhole - Zoom Product details Design guide | 90 106-109 |
|  | 4" ProTools DLX Adjustable Square Asymmetric Cone Product details Design guide | 92 106-109 |
|  | 4" ProTools DLX Adjustable Square Asymmetric Cone - Narrow Product details Design guide | 94 106-109 |

| | | |
|---|---|----------------|
|  | 4" ProTools DLX Adjustable Square Asymmetric Cone - Zoom Product details Design guide | 96 106-109 |
|  | 4" ProTools DLX Adjustable Round Asymmetric Cone Product details Design guide | 98 106-109 |
|  | 4" ProTools DLX Adjustable Round Asymmetric Cone - Narrow Product details Design guide | 100 106-109 |
|  | 4" ProTools DLX Adjustable Round Asymmetric Cone - Zoom Product details Design guide | 102 106-109 |

Washlights

| | | |
|--|---|---------------|
|  | 4" ProTools DL Wall Wash Square Wall Wash Product details Design guide | 64 114-117 |
|  | 4" ProTools DL Wall Wash Round Wall Wash Product details Design guide | 66 114-117 |

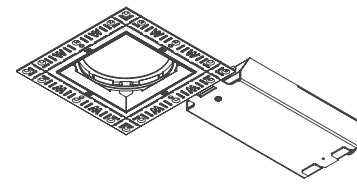
ProTools Modularity

The ProTools range of professional lighting tools has been developed as a flexible and adaptable system.

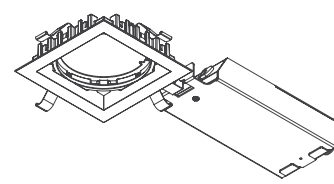
One unified range can meet the demands of all spaces within a project, from the simplest requirements to the most demanding, all with a genuinely matching aesthetic appearance.

By designing interchangeability into the range, inventory can be efficiently controlled to minimize costs and lead times.

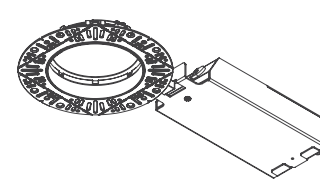
Frame



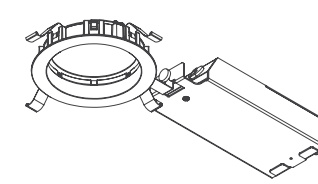
Square
Plaster Trim



Square
Bezel Trim



Round
Plaster Trim



Round
Bezel Trim

The Frame installs into the ceiling and accepts any Insert and Driver option. Available in round or square, the Frame will install seamlessly into drywall, ACT and hard ceilings. The Frames are stocked at the factory to meet delivery requirements.

Select from Plaster Trim or Bezel Once the mounting frame is fitted, it can accept any insert within the range, all of which can be installed and accessed from below.

The same is true for their driver box.

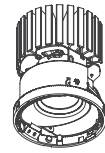
Insert



Wall Wash



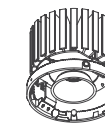
Adjustable



Full Feature
Adjustable



Shallow
Downlight



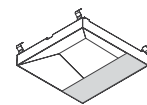
Fixed
Downlight

The Insert is available in various light distributions, lumen output and color temperatures suited to the project.

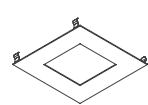
All Inserts fit the selected Frame and are installed after the Frame is in place.

- Choose the insert to suit your needs:
- Simple ambient light from the D insert.
 - Various beam angles from fixed or adjustable.
 - Ultimate performance, superb glare control, lens options and a unique void shielding system with the DLX insert.

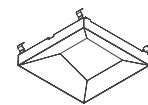
Cover



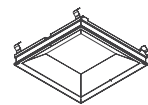
Wall Wash



Flush
Pinhole



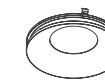
Asymmetric
Adjustable



Cone



Flush
Lens



Cone

A variety of Covers fit the Inserts for optical control, light distribution options and glare control. The Covers are also stocked for timely delivery to the site when needed.

- Complete with your choice of cover:
- Flush Satin Opal
 - Recessed Cone
 - Wall Wash
 - Regressed Pinhole
 - Asymmetric
 - Wet Location

ProTools 4" Downlights shown



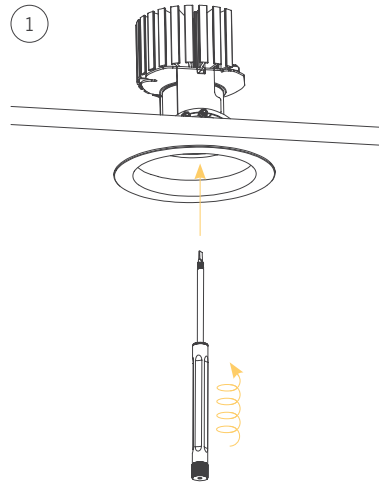
Aim Stick & Aim Stick Laser

"Hot aiming" has been a buzzword in the lighting industry for decades. However, these days, it is something of a misnomer, as luminaires with LED technology run much cooler than their predecessors. Moreover, the traditional requirement for "lockable" fixtures related to the fact that their carefully aimed position would inevitably be disturbed during re-lamping every few thousand hours. The locking mechanism was there to minimize this. As LEDs will now more than likely outlast the serviceable life of an installation, this requirement is redundant. Market leading COB LEDs mean that, once set, the luminaire is unlikely to need servicing.

Instead, we have ensured that the position of our adjustable downlights is "fixed as set" by default. The 365 degree rotation is incrementally defined by a spring-loaded ratchet system, ensuring that the position achieved is fixed the moment it is set. The aiming angle is likewise held fast by four, factory torque set, friction points.

Whitegoods products are designed with input from lighting designers who have years of real life, first hand experience of specifying and using luminaires of all kinds. We know that construction sites can be difficult places to work. Focusing a project when the BMS or lighting control system is also being commissioned can mean wasted hours waiting for the lights to come on. With ProTools the designer can focus the project with lights on or off, utilizing the unique aiming stick with laser sight, allowing total confidence that the luminaire will hit its target.

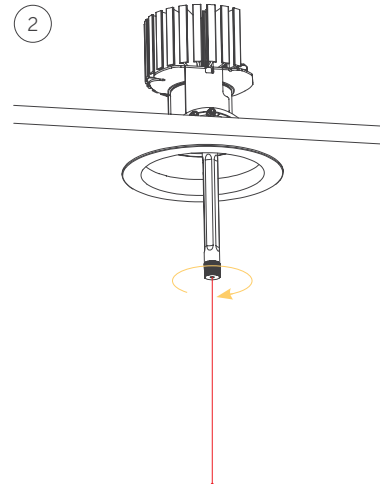
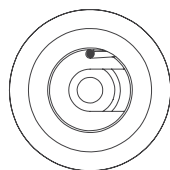
If you don't have one on hand, don't worry. A long thin screwdriver can be used to do the same job, albeit without the laser aiming of course.



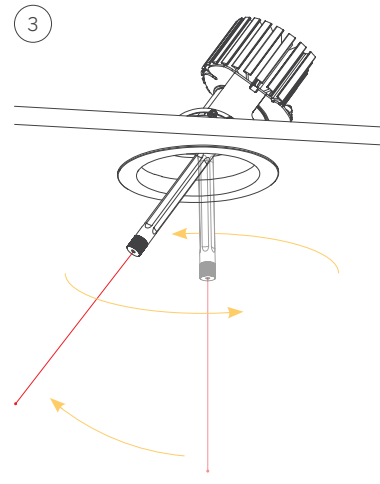
1 Locate the designated hole for the tool. Insert the ProTools Aim Stick into the housing and screw in a few short twists.

View from under the ProTools DLX.

The designated hole for the Aim Stick is highlighted in yellow.



2 Activate the laser by rotating the black dial on the bottom of the Aim Stick clockwise.



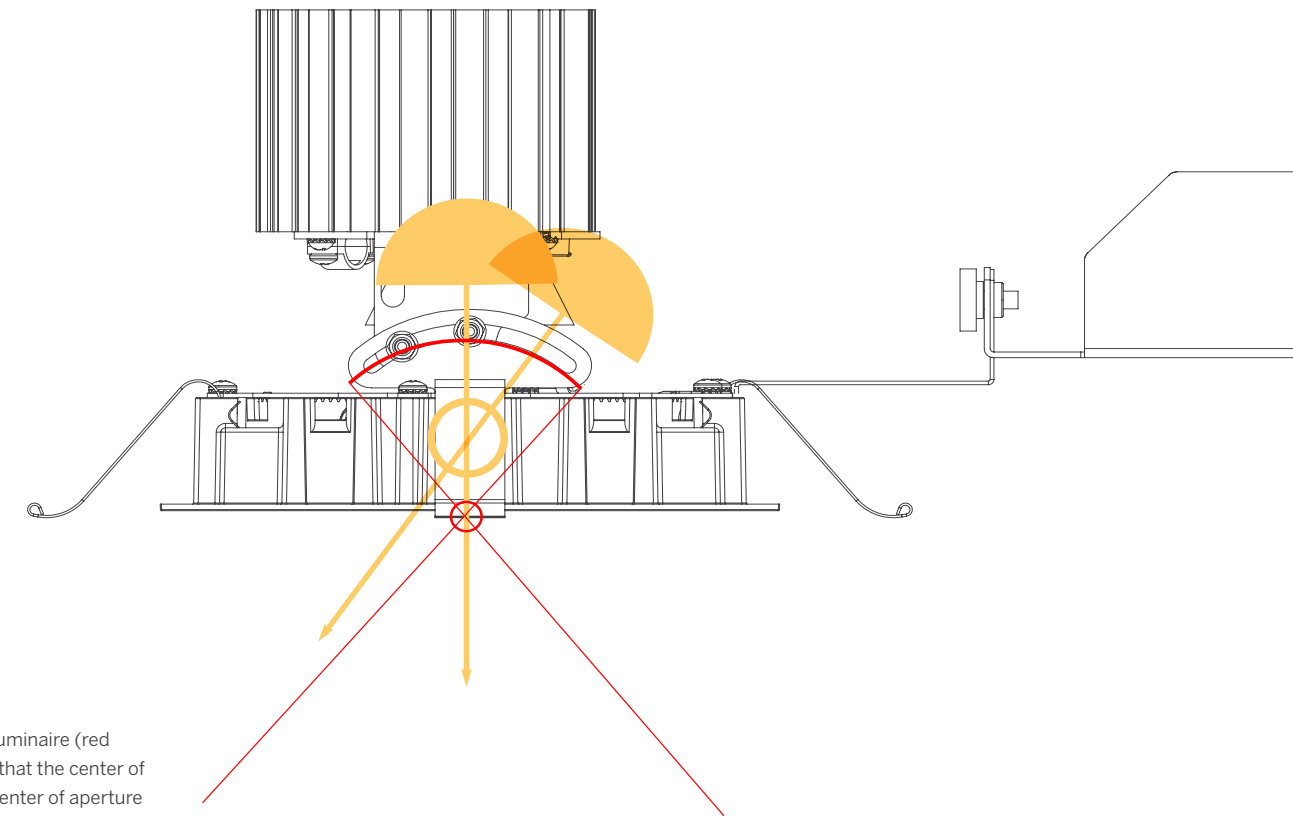
3 Use the tool to rotate the direction of the beam to the desired point. The ProTools DLX can rotate 365° and has a tilt of 45°; the ProTools DL Adjustable can rotate 365° and has a tilt of 40°.

Once the required adjustment has been made, repeat steps 3-6 in reverse.

Aiming Geometry

ProTools Adjustable Downlights are designed with perfect aiming geometry. An innovative geometry ensures that the center of the beam passes through the center of the aperture, without the need for complicated gear driven mechanisms, just smart design.

40 degree tilt
365 degree rotation



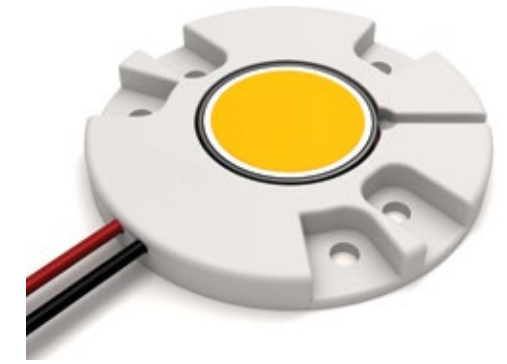
The focus of tilt is outside the luminaire (red reference lines), thus ensuring that the center of the beam passes through the center of aperture (green reference lines), regardless of the angle of illumination selected.



LED Technology

ProTools Downlights are designed with a flexible led platform so that the light engine can be easily installed, field exchanged and updated as new technology evolves. ProTools Downlights utilize world-class COB led devices that deliver consistent performance and the highest quality of light available in a configuration that will work effectively with today's optical systems.

- 600-2000 lumen output range.
- 92 CRI as standard with 98CRI as an option.
- 3 step MacAdam binning.
- Paired with highest quality drivers that deliver flicker-free, full-range dimming.
- Four standard color temperatures from 2700K-4000K.
- Warm-Dim available to emulate incandescent while dimming.
- Tunable White technology allows the occupant to dial in the color temperature.
- Compatible with all common dimmer and control standards such as 0-10V, 3-wire, forward-phase with neutral, ELV, DALI and DMX.
- Wireless control capability using Casambi components.
- High efficiency design delivers a range of excellent performance characteristics, with output available exceeding 140 lumens per watt.
- Used throughout Whitegoods Downlights for consistent color and performance throughout the range.
- 5-year warranty.
- Made in the USA, Stocked in Maryland.



Tunable White

ProTools DL and DLX are available in Tunable White to allow you to select any color temperature between 1800K and 4000K, while maintaining the same high quality color rendering as the standard led. This feature is often used in health and wellness applications, as well as work spaces to increase productivity, architectural spaces to match natural light, and for design focus in retail and hospitality environments.

| Color Temperature | Description | Typical Usage |
|-------------------|----------------------------|---------------------|
| 4000K | Cool | Office, Exterior |
| 3500K | Neutral Cool | Office |
| 3000K | Neutral Warm | Office, Residential |
| 2700K | Warm: Halogen Incandescent | Residential, Hotel |
| 1800K | Very Warm Incandescent | Residential |



Warm Dim

Whitegoods Warm Dim lighting provides LED dimming and warm LED lights virtually indistinguishable from an incandescent light source. Designed to precisely mimic the black body curve of a standard 100W A19 lamp by gradually transitioning from 1800K to 3000K.

| Color Temperature | Description | Typical Usage |
|-------------------|----------------------------|---------------------|
| 3000K | Neutral Warm | Office, Residential |
| 2700K | Warm: Halogen Incandescent | Residential, Hotel |
| 1800K | Very Warm Incandescent | Residential |



Multiple Luminaire Configurations

Multiple fixture configurations can be accomplished using standard plaster-trim Downlight Frames.

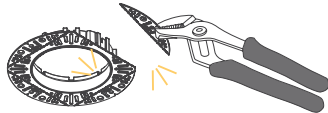
With ProTools Downlights you never have to purchase a specialized housing in order to realize a multiple configuration. In fact, you can simply snap off segments of the plaster-trim on standard product and field join the Frames during installation.

You simply specify the standard product.

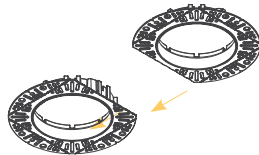
1 Select which side of the plaster trim to remove.



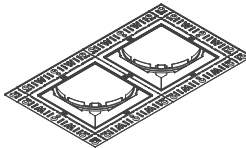
2 Use a pair of multi-grip pliers and firmly snap off the trim with one swift movement.



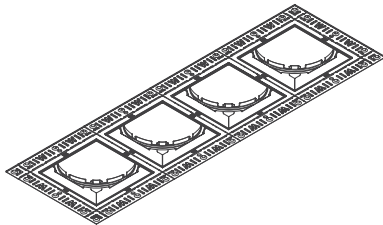
3 Installation frames can now be fixed directly next to one another...



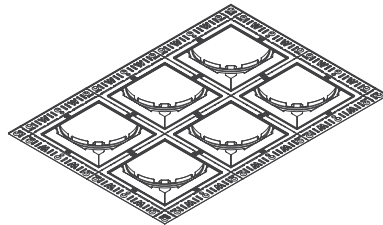
4 ...to create "multiple" configurations, which would usually require additional dedicated housings.



5 Any number of frames can be grouped together to form linear configurations.



6 There are really no limits to the ways in which the installation frames can be combined.

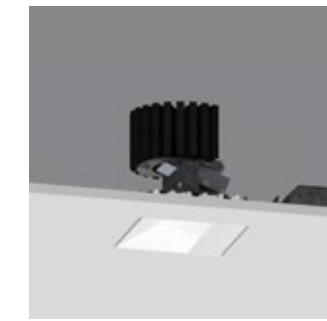




Future Proofing

The ProTools Downlight range is designed to allow complete flexibility of application, today, next month, next year, and beyond.

The modular design means that any combination of insert and cover can be fitted into the mounting frame, and at any time. For example, imagine an installation called for Wall Wash inserts and covers initially, but some years on the customer has a different requirement – adjustable downlights are now needed. No problem! Simply follow these few simple steps and the installation can be completely re-purposed, quickly and easily.

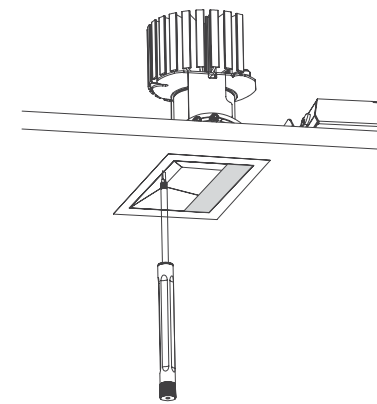


4" ProTools DL Wall Wash Round Wall Wash Cover

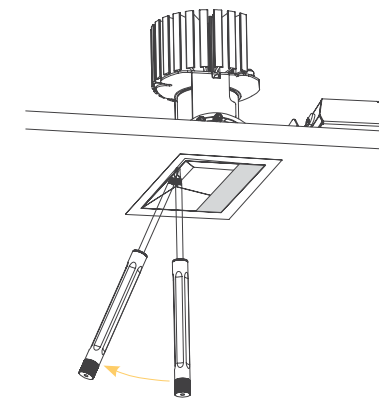


4" ProTools DL Adjustable Round Regressed Cone Cover

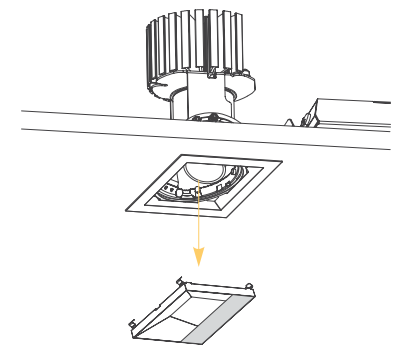
- ① Insert the edge of the Aim Stick into the gap between the housing and the cover.



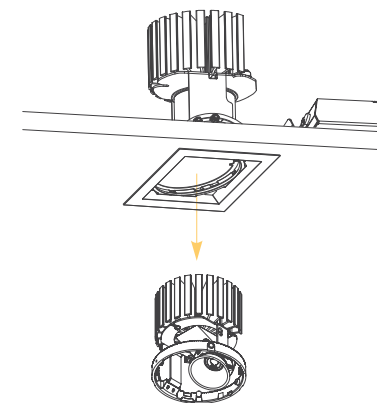
- ② Lever out the cover.



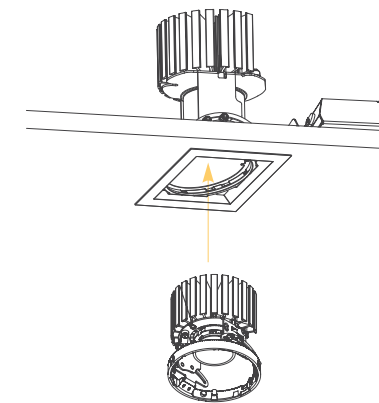
- ③ Remove the cover.



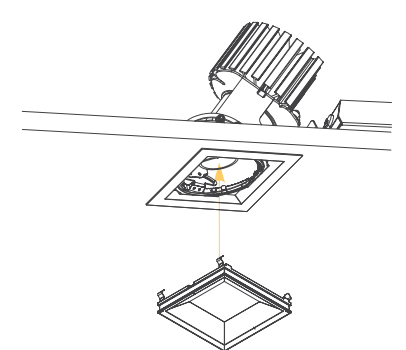
- ④ Remove Wall Wash insert and disconnect in-line connector (tool free) from driver / junction box.



- ⑤ Connect replacement insert via inline connector (tool free) to driver / junction box, then snap into the housing.



- ⑥ Fit new / preferred cover by simply snapping it home into the housing trim.



Application Guide

Whitegoods products are extremely versatile and can be integrated in a multitude of ways. Within this section of the book, you will find examples of a range of luminaires used in varying applications, including examples of the detailing used to achieve them.

In the following pages, you can find out how Whitegoods products have been used to create continuous apertures in the ceiling with no apparent edge (or upstand) visible from below, how they can be used to transition from a wood paneled wall into a gypsum ceiling, or create layers of geometric patterns which overlap, light flowing from between the layers.

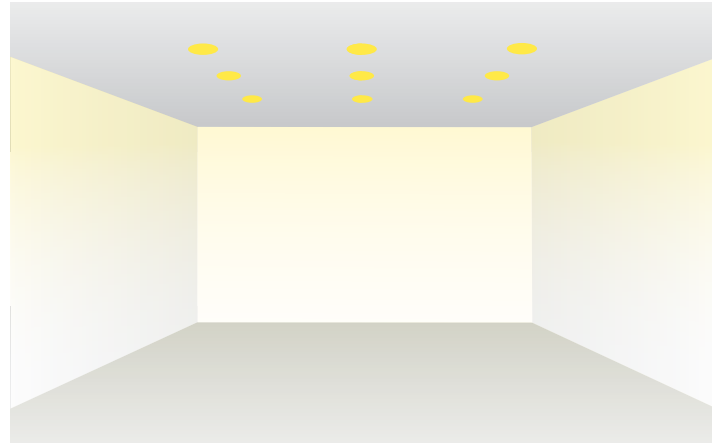
In short, Whitegoods luminaires and integration options allow the designer free reign when it comes to imagining innovative and fresh ways to breath light into a space.

You bring the vision to us, and we help you realize it.



Downlight Applications

Downlight



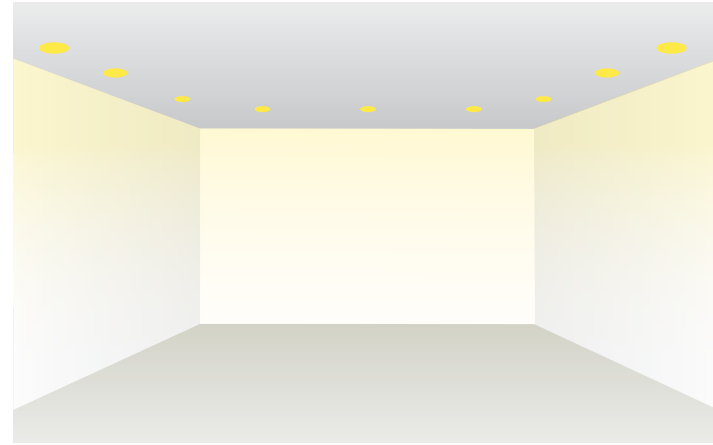
Perhaps the most common lighting solution utilized for general area lighting, arranging a group of lights in a grid to give even illumination to the surface below.

Of course, the popularity of a technique is not always a sign of best practice, and in this case it typically has more to do with economy and ease of implementation.

However, when applied to a space with some consideration it can be an effective technique. One thing to consider for this type of solution is "how much light will fall on the walls?". A space can have a lot of light being delivered into it, but if the walls are not sufficiently illuminated, there is a good chance that the space will feel gloomy, even though there is plenty of light falling on horizontal surfaces like desks or the floor.

Fortunately, many Whitegoods luminaires have good 'high angle distribution', which can help to deal with this common issue.

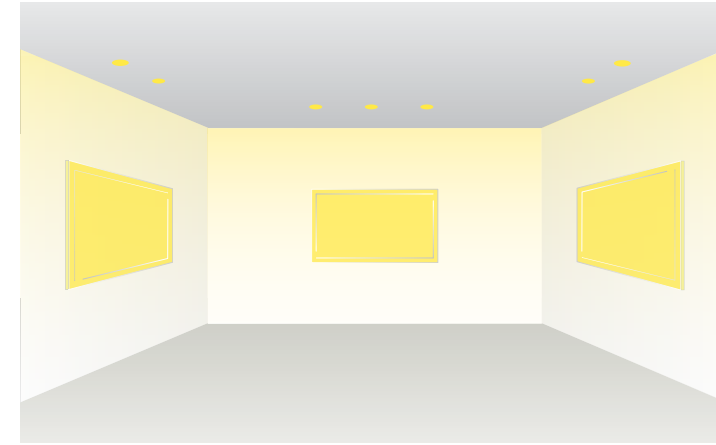
Washlight



The aim of wall washing, or in fact washing any surface with light (wall, ceiling or floor), is to create an even 'wash' of light across the surface. The wall wash is a great way to introduce light into a room as the brightness of the vertical surfaces around us play a crucial role in our perception of a space. You can use linear or point sources, and both will need to emit a wide, even beam of light which is directed towards the wall, to create the effect.

Downlights need to be correctly positioned, both in terms of distance from the wall, and their relative distance to one another. There are helpful guides for this in the Design Guide section of this book. Linear sources also need careful placing in terms of their offset from the wall, and can be used in a continuous format, or as a series of linear elements. A continuous linear source will achieve the most consistent overall effect, although downlights might better suit the architecture or construction method.

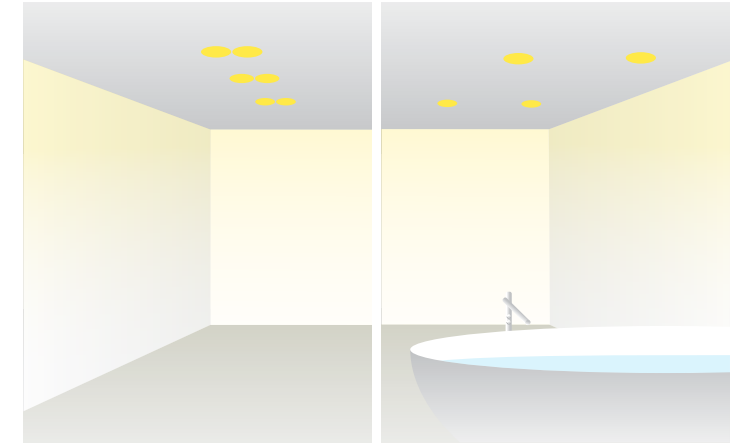
Adjustable



Of course, although considering whole surfaces is a highly effective way to start thinking about light within your project, it is equally possible to think in terms of specific pieces of architecture, art, sculpture, ornamentation or furniture, and treat these as focal objects, drawing the viewers attention to them naturally and simply by highlighting them against their background scenario.

A useful 'rule of thumb' here is that if you allow ten times more light to fall on an object relative to the surrounding light level, it will seem to be 'popping' out of the scene and will tend to draw the eye.

Multiple Luminaire Configurations / Wet Location



Multiple Luminaire Configurations

Multiple Fixture Configurations can be accomplished using standard plastertrim downlight Frames.

With Protocols 3" and 4" Downlights you never have to purchase a specialized housing in order to realize a multiple configuration. In fact, you can simply snap off segments of the plaster-trim on standard product and field join the Frames during installation.

Wet Location

Most Whitegoods downlights are available in wet location for use outdoors as well as in showers and other applications where they may be exposed to moisture. Specialized silicon seal rings protect against moisture ingress, and are impervious to degradation caused by UV. See the specific product data sheet for availability on the specific model.

4" ProTools Downlights

The 4" ProTools downlight family offers trimless and trim, round or square, ambient light, or adjustable, wall washers, ultimate performance, superb glare control, lens options and the Whitegoods attention to integration with surrounding materials.

- D - Shallow Ceiling Downlight
- Open Downlight
- Flush Lens Downlight

- DL - Full Range
- Downlight
- Wallwash
- Adjustable
- Wet Location

- DLX - Fully Featured
- Adjustable Downlight

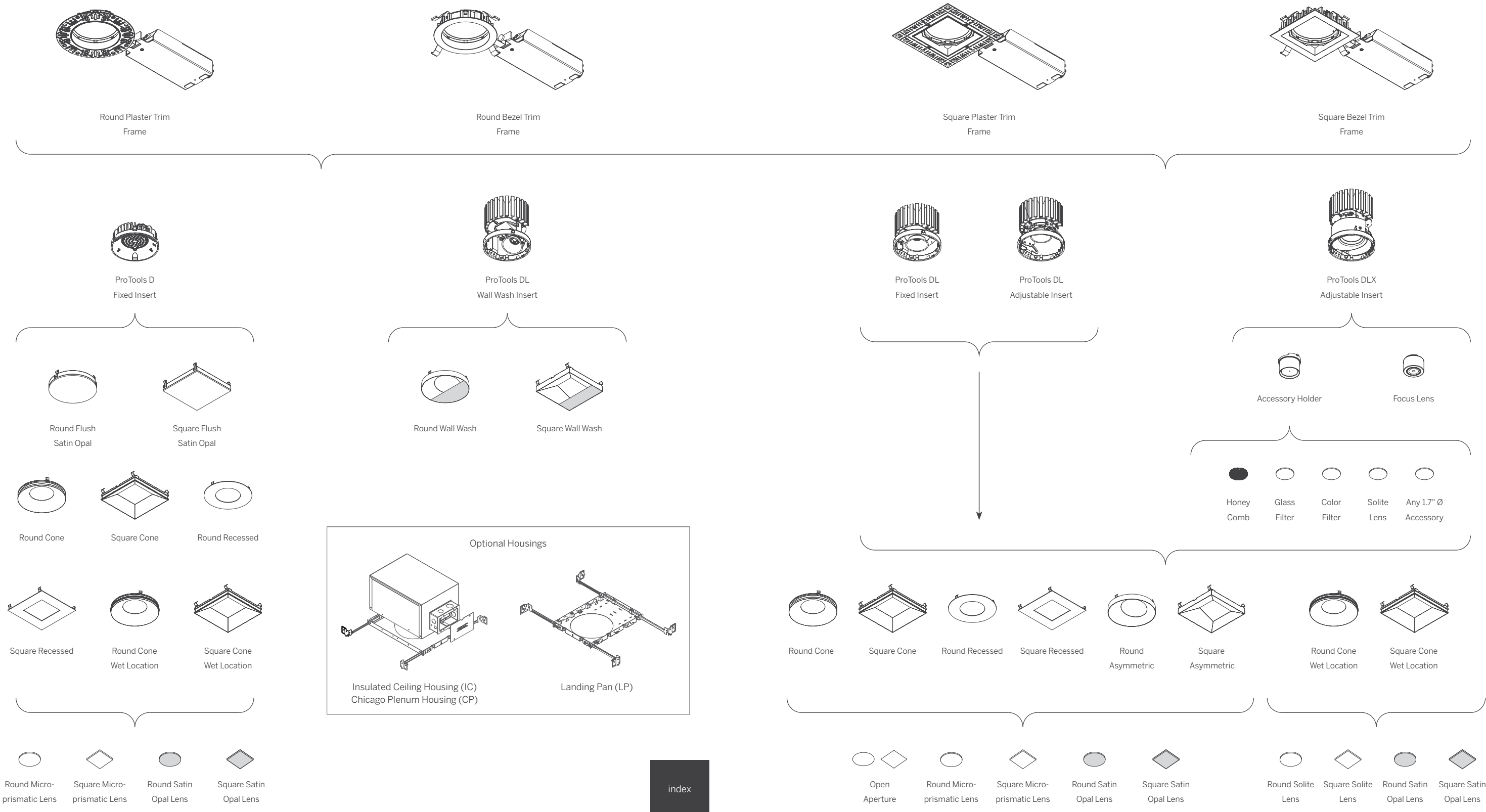
- Application guide
- Product details
- Design guide

- 22-25
- 32-103
- 106-117



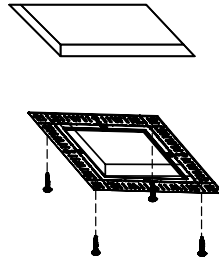
4" ProTools Range Logic

The ProTools range allows the specifier freedom to design for all spaces and environments within a project from one succinct, logical and aesthetically congruent range of luminaires. The comprehensive options cover all of the designer's needs.

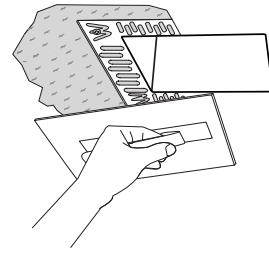


index

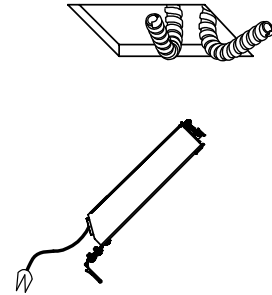
4" ProTools ease of Installation



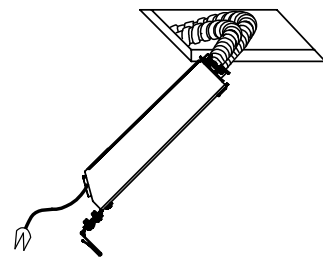
Cut a hole in the ceiling and clear insulation. Insert Frame into ceiling and secure with at least 4 drywall Screws.



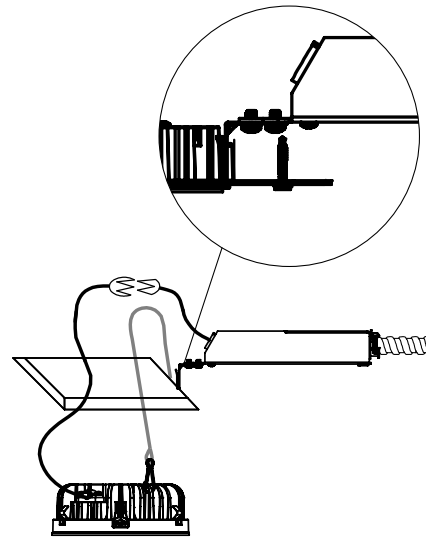
Install using 'tape-and-joint' method, or plaster finish. Clean excess plaster while still wet.



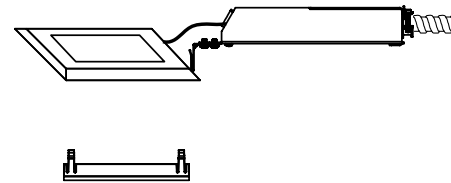
Pull power cable and control cable through the ceiling opening and make connections.



Push the Driver Box through the Housing. Insert the tab from the Driver into one of the slots located on the Housing.



Attach the Safety Cable and make the electrical connection between the Driver and the Light Engine.



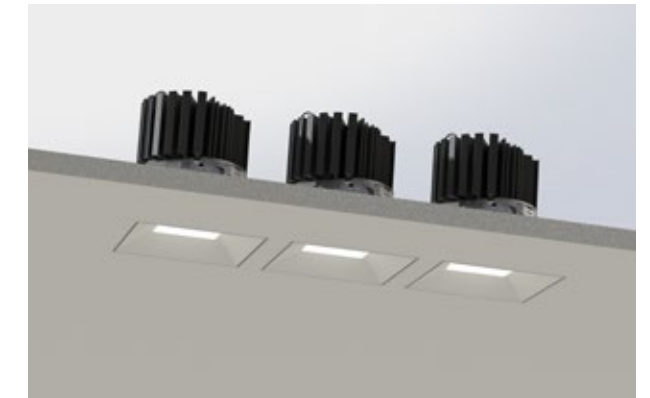
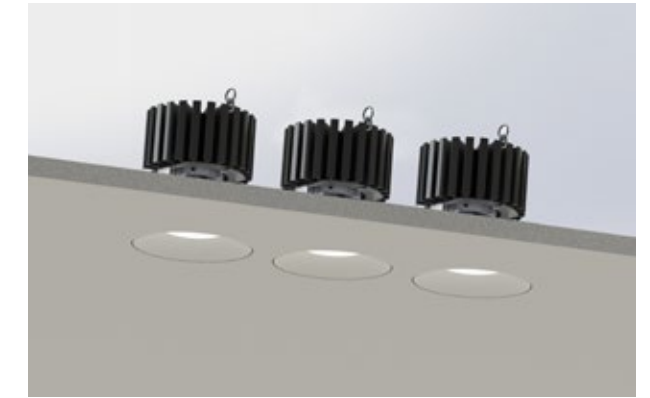
Push the Diffuser into Light Engine locking it into place.

4" ProTools Multiple Luminaire Configurations

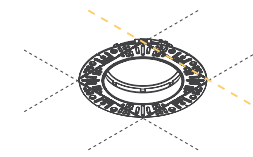
Multiple fixture configurations can be accomplished using standard plaster-trim Downlight Frames.

With ProTools 4" Downlights you never have to purchase a specialized housing in order to realize a multiple configuration. In fact, you can simply snap off segments of the plaster-trim on standard product and field join the Frames during installation.

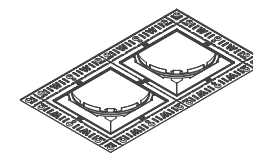
You simply specify the standard product.



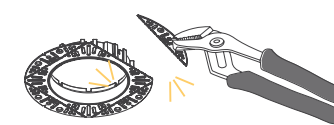
1 Select which side of the plaster trim to remove.



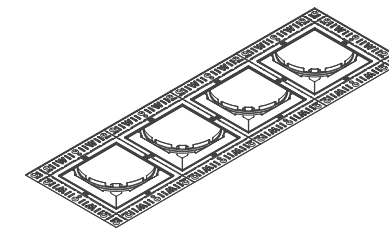
4 ...to create "multiple" configurations, which would usually require additional dedicated housings.



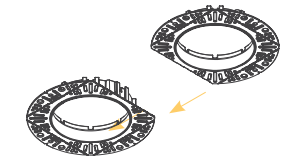
2 Use a pair of multi-grip pliers and firmly snap off the trim with one swift movement.



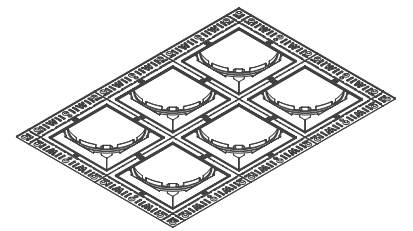
5 Any number of frames can be grouped together to form linear configurations.



3 Installation frames can now be fixed directly next to one another...



6 There are really no limits to the ways in which the installation frames can be combined.



4" ProTools D Downlight Square Flush Diffuser

High-Angle Distribution Ambient Lighting

- 4" aperture square downlight for wide distribution ambient lighting.
- High angle distribution giving good vertical illumination.
- High transmission, evenly illuminated Flush Satin Diffuser.
- Beam Angle: Lambertian
- Luminaire and driver installed and maintained from below the ceiling.
- Mounts in 1/16" to 1" surface.
- Modular interchangeability throughout the entire ProTools range of products.

Housing Die-caste aluminum for precision fit and heat dissipation
Mounting hardware for all ceiling types; trim and trimless
EZ clip mounting for secure installation
Snap-in cover
Trimless housing with Quick-Snap feature allows endless multiple combinations without specialized housings

Covers Square aperture with minimal ceiling interruption and flush lens

LED 90+ CRI
Low/Mid/High output choices
2700K, 3000K, 3500K, 4000K

Beam Lambertian

Driver Integral and remote drivers for all dimming and non-dimming applications
Through-wire integral driver enclosure installed from below without the need for bulky housing
POE driver compatibility

Installation Not required when using the Driver Enclosure

Housing Optional: IC and Chicago plenum
Optional: new construction (with j-box and driver attached)
Optional: Landing pan for use with Driver Enclosure to locate cut-out locations

Warranty 5-year Limited (see complete company warranty information)

Certifications ETL and ETL-C for dry and damp location, CE



Recessed Plaster Trim



Recessed Bezel Trim

4" ProTools D Downlight Square Flush Diffuser

| Model | Fixation | Power ^{1,2} | CRI/ CCT ³ | Driver ⁴ | Lens | Beam | Finish ⁵ | Options |
|------------|------------|----------------------|--------------------------|------------------------|------|------|---------------------|----------------|
| WG-100SPTD | RPT RBT | L M H | 927 930 935 940 | X S D010 PEQ0 | FSOD | LAM | W S ⁶ | LP CP IC |

Model

- WG-100SPTD = 4" ProTools D Downlight

Fixation

- RPT = Recessed Plaster Trim
- RBT = Recessed Bezel Trim

Power^{1,2}

- L = Low Power, 11W @ 350mA
- M = Mid Power, 15W @ 500mA
- H = High Power, 22.5W @ 700mA

CRI/CCT³

- 90+ CRI (Low/Mid/High Power)
- 927 = 2700K, (850/1187/1612 lm)
- 930 = 3000K, (875/1220/1657 lm)
- 935 = 3500K, (922/1286/1747 lm)
- 940 = 4000K, (972/1356/1842 lm)

Driver⁴

- X = Remote driver, ordered separately
- S = Standard non-dim driver, 120-277V
- D010 = EldoLED, 1%, 0-10V Driver, 120-277V
- PEQ0 = Lutron Hi-lume Premier 0.1% EcoSystem, SoftOn/FadeToBlack, 120-277V (low and mid power only)

Lens

- FSOD = Flush Square Satin Opal Lens

Beam

- LAM = Lambertian

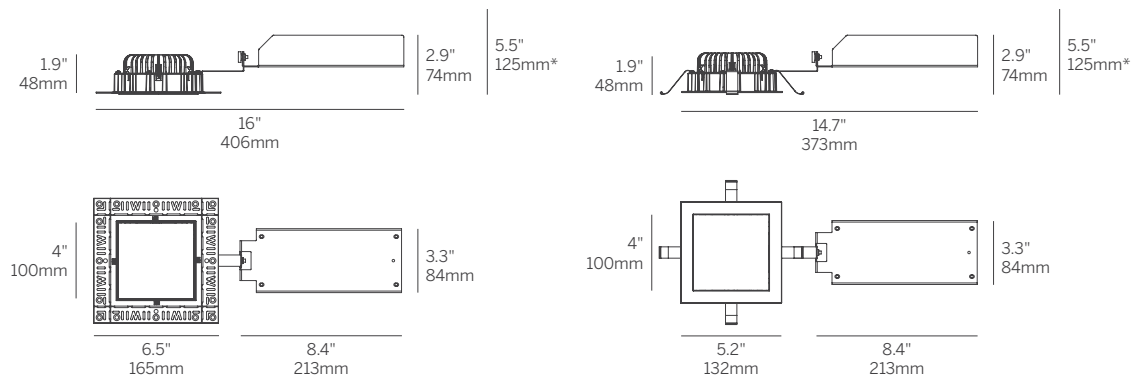
Finish⁵

- W = White, 15% gloss, Tiger Drylac 49/11350 (standard)
- S = Silver, 15% gloss, Tiger Drylac49/90500⁶

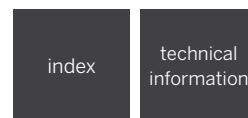
Options

ProTools downlights require no additional options kits for remodel & new construction

- LP = Landing Pan (specify for Acoustic Ceiling Tile installation)
- CP = Chicago Plenum Housing
- IC = IC/NC Housing



*Minimum of 5.5" (127mm) ceiling void is required to install the integral driver from below the ceiling.



Design Guide
106-113

Whitegoods reserves the right to change any information without prior notice.

Notes

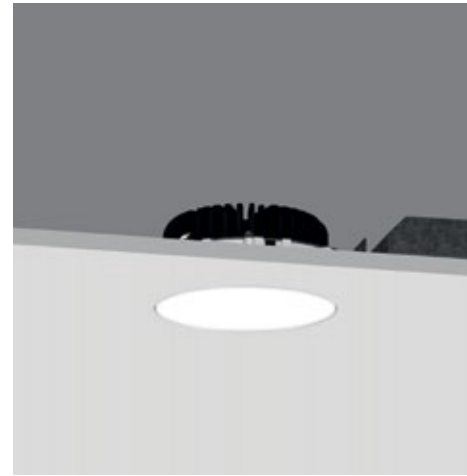
- 1 Other lumen packages available, consult factory.
- 2 Wattage shown does not include power supplies/drivers. System wattage adds 10-20%.
- 3 Delivered lumens shown for WG-100SPTD-...-FSOD-LAM-W. See Page 2 of specsheet for additional details.
- 4 See power supply page for details.
- 5 See Tiger Drylac color chart: inter-lux.com/tiger
- 6 Plaster trim version includes white frame and silver cover.

4" ProTools D Downlight Round Flush Diffuser

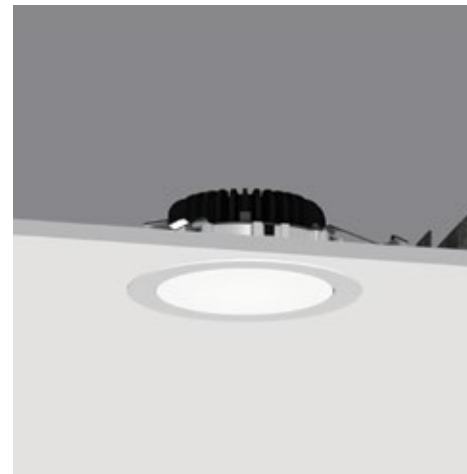
High-Angle Distribution Ambient Lighting

- 4" aperture square downlight for wide distribution ambient lighting.
- High angle distribution giving good vertical illumination.
- High transmission, evenly illuminated Flush Satin Diffuser.
- Beam Angle: Lambertian
- Luminaire and driver installed and maintained below the ceiling.
- Mounts in 1/16" to 1" surface.
- Modular interchangeability throughout the entire ProTools range of products.

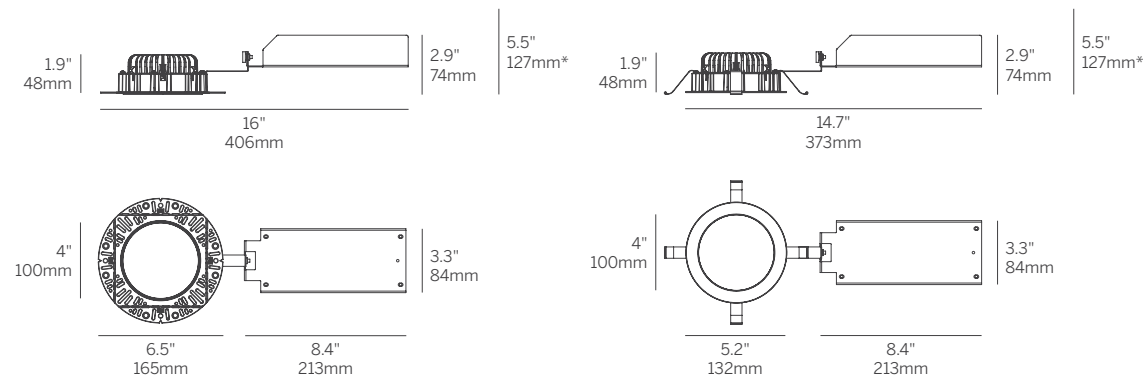
- Housing** Die-cast aluminum for precision fit and heat dissipation
Mounting hardware for all ceiling types; trim and trimless
EZ clip mounting for secure installation
Snap-in cover
Trimless housing with Quick-Snap feature allows endless multiple combinations without specialized housings
- Covers** Round aperture with minimal ceiling interruption and flush lens
- LED** 90+ CRI
Low/Mid/High output choices
2700K, 3000K, 3500K, 4000K
- Beam** Lambertian
- Driver** Integral and remote drivers for all dimming and non-dimming applications
Through-wire integral driver enclosure installed from below without the need for bulky housing
POE driver compatibility
- Installation** Not required when using the Driver Enclosure
- Housing** Optional: IC and Chicago plenum
Optional: new construction (with j-box and driver attached)
Optional: Landing pan for use with Driver Enclosure to locate cut-out locations
- Warranty** 5-year Limited (see complete company warranty information)
- Certifications** ETL and ETL-C for dry and damp location, CE



Recessed Plaster Trim

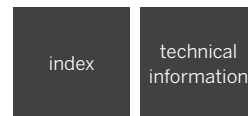


Recessed Bezel Trim



Plaster Trim

Bezel Trim



Design Guide
106-113

4" ProTools D Downlight Round Flush Diffuser

| Model | Fixation | Power ^{1,2} | CRI/ CCT ³ | Driver ⁴ | Lens | Beam | Finish ⁵ | Options |
|------------|------------|----------------------|--------------------------|------------------------|------|------|---------------------|----------------|
| WG-100RPTD | RPT RBT | L M H | 927 930 935 940 | X S D010 PEQ0 | FROD | LAM | W S ⁶ | LP CP IC |

Model

- WG-100RPTD = 4" ProTools D Downlight

Fixation

- RPT = Recessed Plaster Trim
- RBT = Recessed Bezel Trim

Power^{1,2}

- L = Low Power, 11W @ 350mA
- M = Mid Power, 15W @ 500mA
- H = High Power, 22.5W @ 700mA

CRI/CCT³

- 927 = 2700K, (849/1185/1609 lm)
- 930 = 3000K, (873/1218/1655 lm)
- 935 = 3500K, (920/1284/1744 lm)
- 940 = 4000K, (971/1354/1839 lm)

Driver^c

- X = Remote driver, ordered separately
- S = Standard non-dim driver, 120-277V
- D010 = EldoLED, 1%, 0-10V Driver, 120-277V
- PEQ0 = Lutron Hi-lume Premier 0.1% EcoSystem, SoftOn/FadeToBlack, 120-277V (low and mid power only)

Lens

- FROD = Flush Round Satin Opal Lens

Beam

- LAM = Lambertian

Finish⁵

- W = White, 15% gloss, Tiger Drylac 49/11350 (standard)
- S = Silver, 15% gloss, Tiger Drylac49/90500⁶

Options

ProTools downlights require no additional options kits for remodel & new construction

- LP = Landing Pan (specify for Acoustic Ceiling Tile installation)
- CP = Chicago Plenum Housing
- IC = IC/NC Housing

Whitegoods reserves the right to change any information without prior notice.

Notes

- 1 Other lumen packages available, consult factory.
- 2 Wattage shown does not include power supplies/drivers. System wattage adds 10-20%.
- 3 Delivered lumen data shown for 100RPTD-...-FROD-LAM-W. See Page 2 of specsheet for additional details.
- 4 See power supply page for details.
- 5 See Tiger Drylac color chart: inter-lux.com/tiger
- 6 Plaster trim version includes white frame and silver cover.

4" ProTools D Downlight Square Recessed Cone

Even Illumination From Regressed Lens

- 4" square aperture downlight with wide distribution ambient lighting.
- 0.7" regressed, evenly illuminated, highly efficient Satin Opal Diffuser providing good glare control.
- High efficiency, high transmission diffuser.
- Beam Angle: 110°
- Luminaire and driver installed and maintained from below the ceiling.
- Mounts in 1/16" to 1" surface.
- Modular interchangeability throughout the entire ProTools range of products.
- Wet Location as standard option (WL).

Housing Die-cast aluminum for precision fit and heat dissipation
Mounting hardware for all ceiling types; trim and trimless
EZ clip mounting for secure installation
Snap-in cover
Trimless housing with Quick-Snap feature allows endless multiple combinations without specialized housings

Covers Square aperture with minimal ceiling interruption and recessed lens

LED 90+ CRI
Low/Mid/High output choices
2700K, 3000K, 3500K, 4000K

Beam 110 degree beam spread

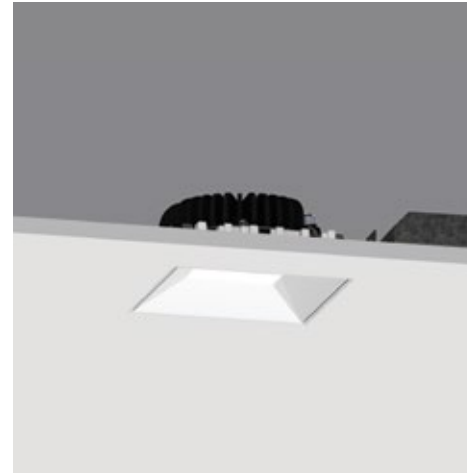
Driver Integral and remote drivers for all dimming and non-dimming applications
Through-wire integral driver enclosure installed from below without the need for bulky housing
POE driver compatibility

Installation Not required when using the Driver Enclosure

Housing Optional: IC and Chicago plenum
Optional: new construction (with j-box and driver attached)
Optional: Landing pan for use with Driver Enclosure to locate cut-out locations

Warranty 5-year Limited (see complete company warranty information)

Certifications ETL and ETL-C for dry and damp location, CE, Wet Location rated



Recessed Plaster Trim



Recessed Bezel Trim

4" ProTools D Downlight Square Recessed Cone

| Model | Fixation | Power ^{1,2} | CRI/ CCT ³ | Driver ⁴ | Cover | Lens | Beam | Finish ⁵ | Options |
|------------|------------|----------------------|--------------------------|------------------------|-------|------|------|----------------------|----------------------|
| WG-100SPTD | RPT RBT | L M H | 927 930 935 940 | X S D010 PEQ0 | SRC | RSO | 110 | W S ⁵⁶ | LP CP IC WL |

Model

- WG-100SPTD = 4" ProTools D Downlight

Fixation

- RPT = Recessed Plaster Trim
- RBT = Recessed Bezel Trim

Power^{1,2}

- L = Low Power, 11W @ 350mA
- M = Mid Power, 15W @ 500mA
- H = High Power, 22.5W @ 700mA

CRI/CCT³

- 927 = 2700K, (760/1060/1440 lm)
- 930 = 3000K, (781/1090/1481 lm)
- 935 = 3500K, (824/1149/1561 lm)
- 940 = 4000K, (868/1212/1646 lm)

Driver⁴

- X = Remote driver, ordered separately
- S = Standard non-dim driver, 120-277V
- D010 = EldoLED, 1%, 0-10V Driver, 120-277V
- PEQ0 = Lutron Hi-lume Premier 0.1% EcoSystem, SoftOn/FadeToBlack, 120-277V (low and mid power only)

Cover

- SRC = Square Recessed Cone

Lens

- RSO = Satin Opal

Beam

- 110 = 110° Beam Angle

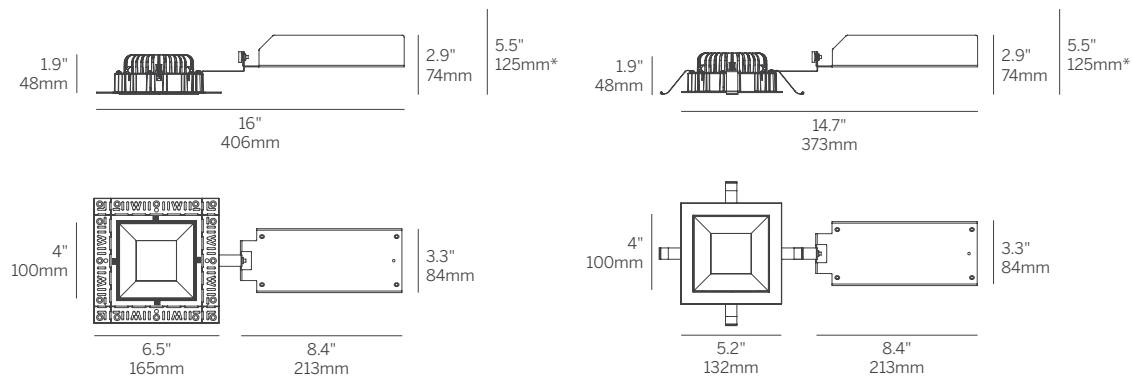
Finish⁵

- W = White, 15% gloss, Tiger Drylac 49/11350 (standard)
- S = Silver, 15% gloss, Tiger Drylac49/90500⁶

Options

ProTools downlights require no additional options kits for remodel & new construction

- LP = Landing Pan (specify for Acoustic Ceiling Tile installation)
- CP = Chicago Plenum Housing
- IC = IC/NC Housing
- WL = Wet Location



*Minimum of 5.5" (127mm) ceiling void is required to install the integral driver from below the ceiling.

Whitegoods reserves the right to change any information without prior notice.

Notes

- 1 Other lumen packages available, consult factory.
- 2 Wattage shown does not include power supplies/drivers. System wattage adds 10-20%.
- 3 Delivered lumens shown fro 100SPTD-...-SRC-RSO-110-W. See Page 2 of specsheet for additional details.
- 4 See power supply page for details.
- 5 See Tiger Drylac color chart: inter-lux.com/tiger
- 6 Plaster trim version includes white frame and silver cover.

4" ProTools D Downlight Round Recessed Cone

Even Illumination From Regressed Lens

- 4" round aperture downlight with wide distribution ambient lighting.
- 0.7" regressed, evenly illuminated, highly efficient Satin Opal Diffuser providing good glare control.
- High efficiency, high transmission diffuser.
- Beam Angle: 110°
- Luminaire and driver installed and maintained from below the ceiling.
- Mounts in 1/16" to 1" surface.
- Modular interchangeability throughout the entire ProTools range of products.
- Wet Location as standard option (WL).

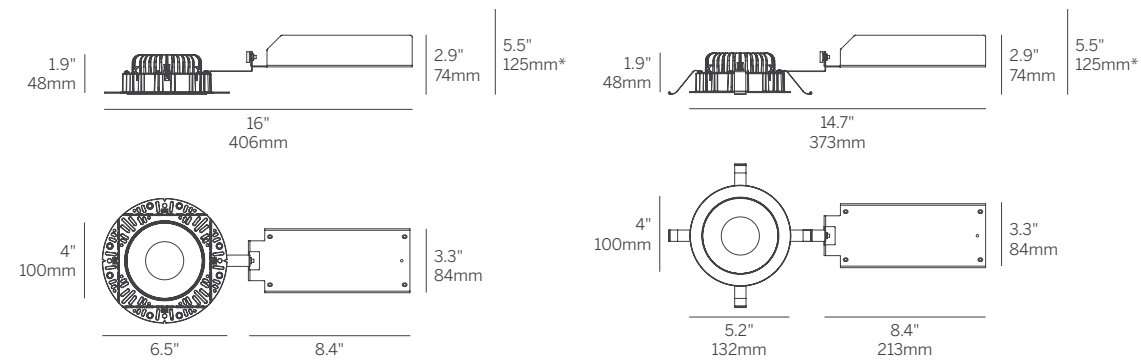
- Housing** Die-cast aluminum for precision fit and heat dissipation
Mounting hardware for all ceiling types; trim and trimless
EZ clip mounting for secure installation
Snap-in cover
Trimless housing with Quick-Snap feature allows endless multiple combinations without specialized housings
- Covers** Round aperture with minimal ceiling interruption and recessed lens
- LED** 90+ CRI
Low/Mid/High output choices
2700K, 3000K, 3500K, 4000K
- Beam** 110 degree beam spread
- Driver** Integral and remote drivers for all dimming and non-dimming applications
Through-wire integral driver enclosure installed from below without the need for bulky housing
POE driver compatibility
- Installation** Not required when using the Driver Enclosure
- Housing** Optional: IC and Chicago plenum
Optional: new construction (with j-box and driver attached)
Optional: Landing pan for use with Driver Enclosure to locate cut-out locations
- Warranty** 5-year Limited (see complete company warranty information)
- Certifications** ETL and ETL-C for dry and damp location, CE, Wet Location rated



Recessed Plaster Trim



Recessed Bezel Trim



Plaster Trim

Bezel Trim

*Minimum of 5.5" (127mm) ceiling void is required to install the integral driver from below the ceiling.

index technical information

4" ProTools D Downlight Round Recessed Cone

| Model | Fixation | Power ^{1,2} | CRI/CCT ³ | Driver ⁴ | Cover | Lens | Beam | Finish ⁵ | Options |
|------------|------------|----------------------|--------------------------|------------------------|-------|------|------|---------------------|----------------------|
| WG-100RPTD | RPT RBT | L M H | 927 930 935 940 | X S D010 PEQ0 | RRC | RSO | 110 | W S ⁶ | LP CP IC WL |

Model

- WG-100RPTD = 4" ProTools D Downlight

Fixation

- RPT = Recessed Plaster Trim
- RBT = Recessed Bezel Trim

Power^{1,2}

- L = Low Power, 11W @ 350mA
- M = Mid Power, 15W @ 500mA
- H = High Power, 22.5W @ 700mA

CRI/CCT³

- 927 = 2700K, (700/976/1326 lm)
- 930 = 3000K, (719/1004/1364 lm)
- 935 = 3500K, (758/1058/1437 lm)
- 940 = 4000K, (800/1116/1516 lm)

Driver⁴

- X = Remote driver, ordered separately
- S = Standard non-dim driver, 120-277V
- D010 = EldoLED, 1%, 0-10V Driver, 120-277V
- PEQ0 = Lutron Hi-lume Premier 0.1% EcoSystem, SoftOn/FadeToBlack, 120-277V (low and mid power only)

Cover

- RRC = Round Recessed Cone

Lens

- RSO = Satin Opal

Beam

- 110 = 110° Beam Angle

Finish⁵

- W = White, 15% gloss, Tiger Drylac 49/11350 (standard)
- S = Silver, 15% gloss, Tiger Drylac49/90500⁶

Options

- ProTools downlights require no additional options kits for remodel & new construction
- LP = Landing Pan (specify for Acoustic Ceiling Tile installation)
- CP = Chicago Plenum Housing
- IC = IC/NC Housing
- WL = Wet Location

Whitegoods reserves the right to change any information without prior notice.

Notes

- 1 Other lumen packages available, consult factory.
- 2 Wattage shown does not include power supplies/drivers. System wattage adds 10-20%.
- 3 Delivered lumen data shown for 100RPTD...-RRC-RSO-110-W. See Page 2 of specsheet for additional details.
- 4 See power supply page for details.
- 5 See Tiger Drylac color chart: inter-lux.com/tiger
- 6 Plaster trim version includes white frame and silver cover.

4" ProTools D Downlight Square Regressed Pinhole

Even Illumination From Regressed Lens

- 4" square aperture downlight with wide distribution ambient lighting.
- 0.7" regressed, evenly illuminated, highly efficient Satin Opal Diffuser providing good glare control.
- High efficiency, high transmission diffuser.
- Beam Angle: 110°
- Luminaire and driver installed and maintained from below the ceiling.
- Mounts in 1/16" to 1" surface.
- Modular interchangeability throughout the entire ProTools range of products.

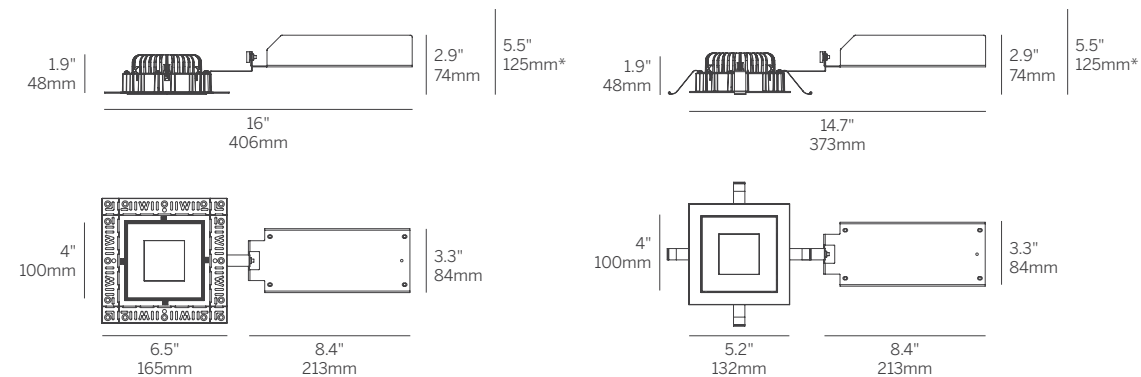
- Housing** Die-cast aluminum for precision fit and heat dissipation
Mounting hardware for all ceiling types; trim and trimless
EZ clip mounting for secure installation
Snap-in cover
Trimless housing with Quick-Snap feature allows endless multiple combinations without specialized housings
- Covers** Square regressed pinhole with minimal ceiling interruption and satin opal lens
- LED** 90+ CRI
Low/Mid/High output choices
2700K, 3000K, 3500K, 4000K
- Beam** 110 degree beam spread
- Driver** Integral and remote drivers for all dimming and non-dimming applications
Through-wire integral driver enclosure installed from below without the need for bulky housing
POE driver compatibility
- Installation** Not required when using the Driver Enclosure
- Housing** Optional: IC and Chicago plenum
Optional: new construction (with j-box and driver attached)
Optional: Landing pan for use with Driver Enclosure to locate cut-out locations
- Warranty** 5-year Limited (see complete company warranty information)
- Certifications** ETL and ETL-C for dry and damp location, CE



Recessed Plaster Trim



Recessed Bezel Trim



*Minimum of 5.5" (127mm) ceiling void is required to install the integral driver from below the ceiling.

Plaster Trim

Bezel Trim

index technical information

4" ProTools D Downlight Square Regressed Pinhole

| Model | Fixation | Power ^{1,2} | CRI/ CCT ³ | Driver ⁴ | Cover | Lens | Beam | Finish ⁵ | Options |
|------------|------------|----------------------|--------------------------|------------------------|-------|------|------|---------------------|----------------|
| WG-100SPTD | RPT RBT | L M H | 927 930 935 940 | X S D010 PEQ0 | SRP | RSO | 110 | W S ⁶ | LP CP IC |

Model

- WG-100SPTD = 4" ProTools D Downlight

Fixation

- RPT = Recessed Plaster Trim
- RBT = Recessed Bezel Trim

Power^{1,2}

- L = Low Power, 11W @ 350mA
- M = Mid Power, 15W @ 500mA
- H = High Power, 22.5W @ 700mA

CRI/CCT³

- 927 = 2700K, (741/1034/1405 lm)
- 930 = 3000K, (762/1064/1445 lm)
- 935 = 3500K, (803/1121/1523 lm)
- 940 = 4000K, (847/1182/1606 lm)

Driver⁴

- X = Remote driver, ordered separately
- S = Standard non-dim driver, 120-277V
- D010 = EldoLED, 1%, 0-10V Driver, 120-277V
- PEQ0 = Lutron Hi-lume Premier 0.1% EcoSystem, SoftOn/FadeToBlack, 120-277V (low and mid power only)

Cover

- SRP = Square Regressed Pinhole

Lens

- RSO = Satin Opal

Beam

- 110 = 110° Beam Angle

Finish⁵

- W = White, 15% gloss, Tiger Drylac 49/11350 (standard)
- S = Silver, 15% gloss, Tiger Drylac49/90500⁶

Options

ProTools downlights require no additional options kits for remodel & new construction

- LP = Landing Pan (specify for Acoustic Ceiling Tile installation)
- CP = Chicago Plenum Housing
- IC = IC/NC Housing

Whitegoods reserves the right to change any information without prior notice.

Notes

- 1 Other lumen packages available, consult factory.
- 2 Wattage shown does not include power supplies/drivers. System wattage adds 10-20%.
- 3 Delivered lumen data shown for 100SPTD-...-SRP-RSO-110-W. See Page 2 of specsheet for additional details.
- 4 See power supply page for details.
- 5 See Tiger Drylac color chart: inter-lux.com/tiger
- 6 Plaster trim version includes white frame and silver cover.

4" ProTools D Downlight Round Regressed Pinhole

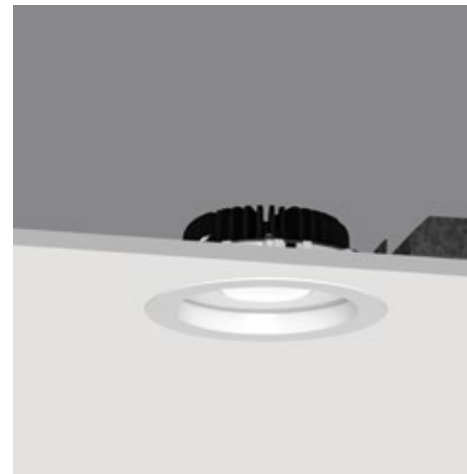
Even Illumination From Regressed Lens

- 4" round aperture downlight with wide distribution ambient lighting.
- 0.7" regressed, evenly illuminated, highly efficient Satin Opal Diffuser providing good glare control.
- High efficiency, high transmission diffuser.
- Beam Angle: 110°
- Luminaire and driver installed and maintained from below the ceiling.
- Mounts in 1/16" to 1" surface.
- Modular interchangeability throughout the entire ProTools range of products.

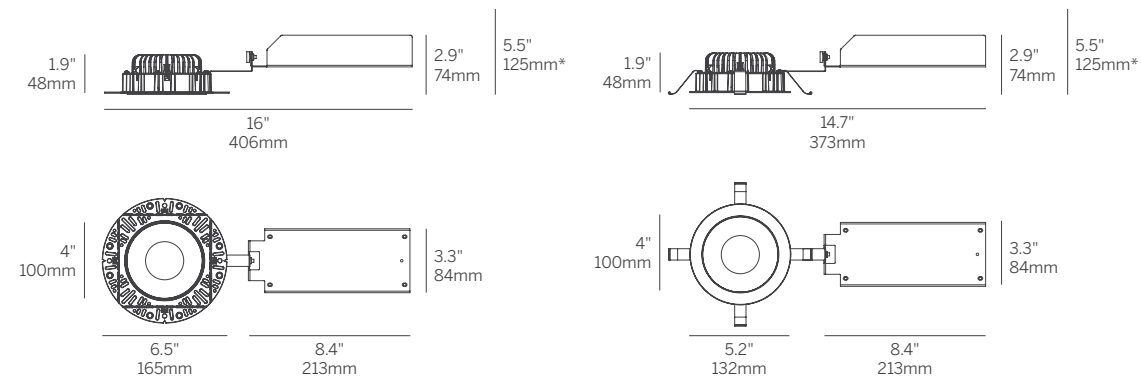
| | |
|-----------------------|--|
| Housing | Die-caste aluminum for precision fit and heat dissipation Mounting hardware for all ceiling types; trim and trimless EZ clip mounting for secure installation Snap-in cover Trimless housing with Quick-Snap feature allows endless multiple combinations without specialized housings |
| Covers | Round regressed pinhole with minimal ceiling interruption and satin opal lens |
| LED | 90+ CRI Low/Mid/High output choices 2700K, 3000K, 3500K, 4000K |
| Beam | 110 degree beam spread |
| Driver | Integral and remote drivers for all dimming and non-dimming applications Through-wire integral driver enclosure installed from below without the need for bulky housing POE driver compatibility |
| Installation | Not required when using the Driver Enclosure |
| Housing | Optional: IC and Chicago plenum Optional: new construction (with j-box and driver attached) Optional: Landing pan for use with Driver Enclosure to locate cut-out locations |
| Warranty | 5-year Limited (see complete company warranty information) |
| Certifications | ETL and ETL-C for dry and damp location, CE |



Recessed Plaster Trim



Recessed Bezel Trim



Plaster Trim

Bezel Trim

*Minimum of 5.5" (127mm) ceiling void is required to install the integral driver from below the ceiling.

index technical information

4" ProTools D Downlight Round Regressed Pinhole

| Model | Fixation | Power ^{1,2} | CRI/ CCT ³ | Driver ⁴ | Cover | Lens | Beam | Finish ⁵ | Options |
|------------|------------|----------------------|--------------------------|------------------------|-------|------|------|---------------------|----------------|
| WG-100RPTD | RPT RBT | L M H | 927 930 935 940 | X S D010 PEQ0 | RRP | RSO | 110 | W S ⁶ | LP CP IC |

Model

- WG-100SRTD = 4" ProTools D Downlight

Fixation

- RPT = Recessed Plaster Trim
- RBT = Recessed Bezel Trim

Power^{1,2}

- L = Low Power, 11W @ 350mA
- M = Mid Power, 15W @ 500mA
- H = High Power, 22.5W @ 700mA

CRI/CCT³

- 927 = 2700K, (657/916/1245 lm)
- 930 = 3000K, (675/942/1280 lm)
- 935 = 3500K, (712/993/1349 lm)
- 940 = 4000K, (751/1047/1423 lm)

Driver⁴

- X = Remote driver, ordered separately
- S = Standard non-dim driver, 120-277V
- D010 = EidoLED, 1%, 0-10V Driver, 120-277V
- PEQ0 = Lutron Hi-lume Premier 0.1% EcoSystem, SoftOn/FadeToBlack, 120-277V (low and mid power only)

Cover

- RRP = Round Regressed Pinhole

Lens

- RSO = Satin Opal

Beam

- 110 = 110° Beam Angle

Finish⁵

- W = White, 15% gloss, Tiger Drylac 49/11350 (standard)
- S = Silver, 15% gloss, Tiger Drylac49/90500⁶

Options

ProTools downlights require no additional options kits for remodel & new construction

- LP = Landing Pan (specify for Acoustic Ceiling Tile installation)
- CP = Chicago Plenum Housing
- IC = IC/NC Housing

Whitegoods reserves the right to change any information without prior notice.

Notes

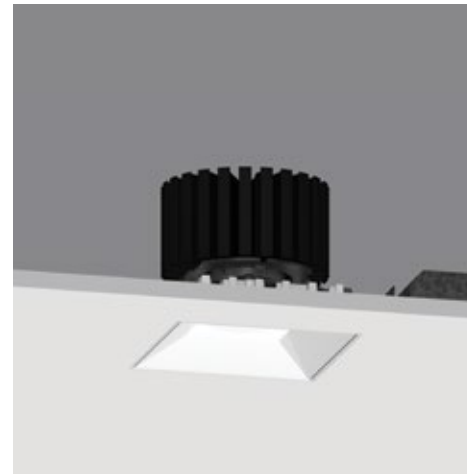
- 1 Other lumen packages available, consult factory.
- 2 Wattage shown does not include power supplies/drivers. System wattage adds 10-20%.
- 3 Delivered lumens shown for 100RPTD...RRP-RSO-110-W. See Page 2 of specsheet for additional details.
- 4 See power supply page for details.
- 5 See Tiger Drylac color chart: inter-lux.com/tiger
- 6 Plaster trim version includes white frame and silver cover.

4" ProTools DL Downlight Square Recessed Cone

Multiple Beam Options From Recessed Source

- 4" square downlight with 2" light aperture.
- 0.7" regressed aperture / lens position provides good glare control.
- Beam Angle: Various, Cut Off: 55°.
- Open aperture, clear lens or high transmission diffuser.
- Luminaire and driver installed and maintained from below the ceiling.
- Mounts in 1/16" to 1" surface.
- Tunable White and Warm Dim.
- Modular interchangeability throughout the entire ProTools range of products.
- Wet Location as standard option (WL).

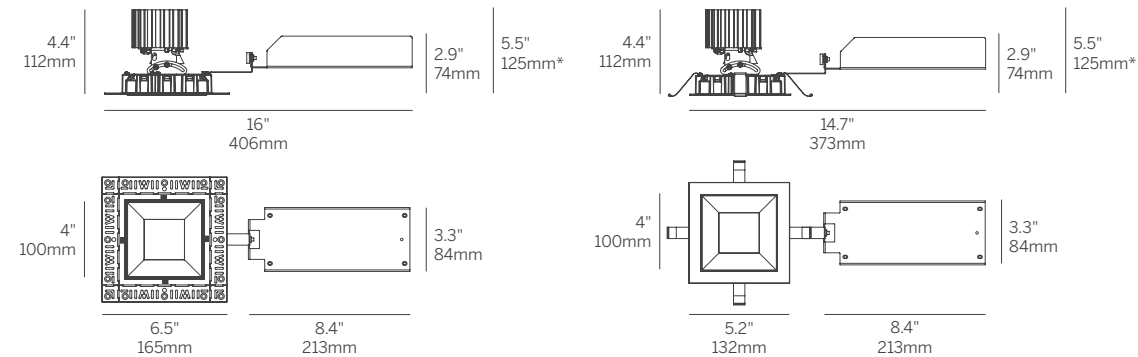
- Housing** Die-caste aluminum for precision fit and heat dissipation
Mounting hardware for all ceiling types; trim and trimless
EZ clip mounting for secure installation
Snap-in cover
Trimless housing with Quick-Snap feature allows endless multiple combinations without specialized housings
- Covers** Square recessed cone - low brightness, general illumination
- LED** 90+ CRI
Low/Mid/High/Extra High output choices
2700K, 3000K, 3500K, 4000K
Tunable White from 1800K - 4000K
Warm Dim from 1800 - 3000K
- Beam** 16, 32, 41 and 65 degree beam spreads
- Driver** Integral and remote drivers for all dimming and non-dimming applications
Through-wire integral driver enclosure installed from below without the need for bulky housing
POE driver compatibility
- Installation** Not required when using the Driver Enclosure
- Housing** Optional: IC and Chicago plenum
Optional: new construction (with j-box and driver attached)
Optional: Landing pan for use with Driver Enclosure to locate cut-out locations
- Warranty** 5-year Limited (see complete company warranty information)
- Certifications** ETL and ETL-C for dry and damp location, CE, Wet Location rated



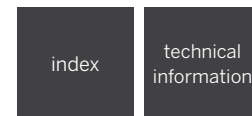
Recessed Plaster Trim



Recessed Bezel Trim



*Minimum of 5.5" (127mm) ceiling void is required to install the integral driver from below the ceiling.



Design Guide
106-109

4" ProTools DL Downlight Square Recessed Cone

| Model | Fixation | Power ^{1,2} | CRI/ CCT ⁴ | Driver ⁵ | Cover | Lens | Beam | Finish ⁶ | Options |
|--------------|------------|--|---|------------------------------|-------|------------------|----------------------|---------------------|----------------------|
| WG-100SPTDLF | RPT RBT | L M H XH TW WD ³ | 927 930 935 940 TW WD ³ | X S D010 PEQO TW | SRC | OA MPL RSC | 16 32 41 65 | W S ⁷ | LP CP IC WL |

Model

- WG-100SPTDLF = 4" ProTools DL Downlight

Fixation

- RPT = Recessed Plaster Trim
- RBT = Recessed Bezel Trim

Power^{1,2}

- L = Low Power, 5.7W @ 350mA
- M = Mid Power, 8.4W @ 500mA
- H = High Power, 12W @ 700mA
- XH = Extra High Power, 17.8W @ 1050mA
- TW = 9W @ 500mA
- WD = 0.4 - 11.8W @ 350mA³

CRI/CCT⁴

- 90+ CRI (Low/Mid/High/Extra High)
- 927 = 2700K, (552/766/1031/1445 lm)
- 930 = 3000K, (594/824/1110/1555 lm)
- 935 = 3500K, (594/824/1110/1555 lm)
- 940 = 4000K, (636/883/1188/1664 lm)
- TW = Tunable White 1800 - 4000K, (610 - 1060 lm)
- WD = Warm Dimming 1800 - 3000K, (31 - 1150 lm)³

Driver⁵

- X = Remote driver, ordered separately
- S = Standard non-dim driver, 120-277V
- D010 = EldoLED, 1%, 0-10V Driver, 120-277V
- PEQO = Lutron Hi-lume Premier 0.1% EcoSystem, SoftOn/FadeToBlack, 120-277V
- TW = EldoLED, 0.1%, DALI dimming (TW), 120-277V

Cover

- SRC = Square Recessed Cone

Lens

- OA = Open Aperture
- MPL = Micro-prismatic Lens
- RSC = Satin Clear

Beam

- 16 = 16° Beam Angle
- 32 = 32° Beam Angle
- 41 = 41° Beam Angle
- 65 = 65° Beam Angle

Finish⁶

- W = White, 15% gloss, Tiger Drylac 49/11350 (standard)
- S = Silver, 15% gloss, Tiger Drylac49/90500⁷

Options

- ProTools downlights require no additional options kits for remodel & new construction
- LP = Landing Pan (specify for Acoustic Ceiling Tile installation)
 - CP = Chicago Plenum Housing
 - IC = IC/NC Housing
 - WL = Wet Location (not available with open aperture)

Whitegoods reserves the right to change any information without prior notice.

Notes

- Other lumen packages available, consult factory.
- Wattage shown does not include power supplies/drivers. System wattage adds 10-20%.
- Delivered lumen data shown fro WG-100RPTDLF-...-SRC-OA-16-W. See page 2 of specsheet for delivered lumen data for other product configurations.
- See power supply page for details.
- See Tiger Drylac color chart: inter-lux.com/tiger
- Plaster trim version includes white frame and silver cover.

4" ProTools DL Downlight Round Recessed Cone

Multiple Beam Options From Recessed Source

- 4" round downlight with 2" light aperture.
- 0.7" regressed aperture / lens position provides good glare control.
- Beam Angle: Various, Cut Off: 50°.
- Open aperture, clear lens or high transmission diffuser.
- Luminaire and driver installed and maintained from below the ceiling.
- Mounts in 1/16" to 1" surface.
- Tunable White and Warm Dim.
- Modular interchangeability throughout the entire ProTools range of products.
- Wet Location as standard option (WL).

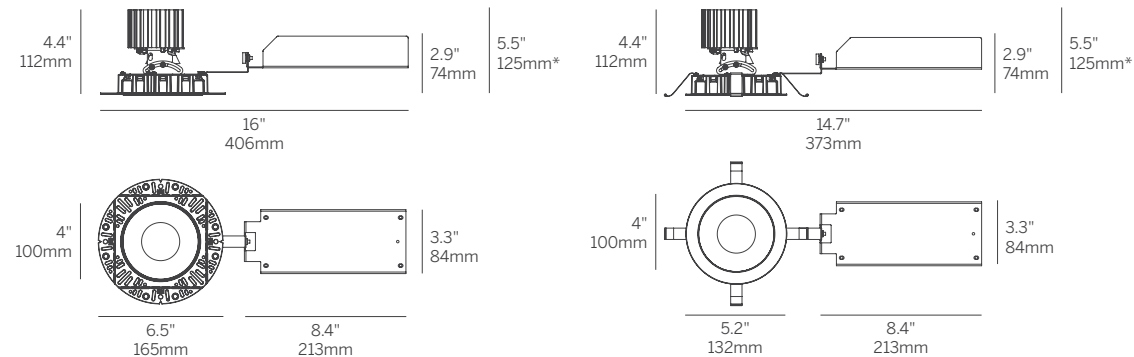
- Housing** Die-cast aluminum for precision fit and heat dissipation
Mounting hardware for all ceiling types; trim and trimless
EZ clip mounting for secure installation
Snap-in cover
Trimless housing with Quick-Snap feature allows endless multiple combinations without specialized housings
- Covers** Round recessed cone - low brightness, general illumination
- LED** 90+ CRI
Low/Mid/High/Extra High output choices
2700K, 3000K, 3500K, 4000K
Tunable White from 1800K - 4000K
Warm Dim from 1800 - 3000K
- Beam** 16, 32, 41 and 65 degree beam spreads
- Driver** Integral and remote drivers for all dimming and non-dimming applications
Through-wire integral driver enclosure installed from below without the need for bulky housing
POE driver compatibility
- Installation** Not required when using the Driver Enclosure
- Housing** Optional: IC and Chicago plenum
Optional: new construction (with j-box and driver attached)
Optional: Landing pan for use with Driver Enclosure to locate cut-out locations
- Warranty** 5-year Limited (see complete company warranty information)
- Certifications** ETL and ETL-C for dry and damp location, CE, Wet Location rated



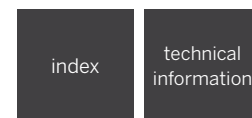
Recessed Plaster Trim



Recessed Bezel Trim



*Minimum of 5.5" (127mm) ceiling void is required to install the integral driver from below the ceiling.



Design Guide
106-109

4" ProTools DL Downlight Round Recessed Cone

| Model | Fixation | Power ^{1,2} | CRI/ CCT ⁴ | Driver ⁵ | Cover | Lens | Beam | Finish ⁶ | Options |
|--------------|------------|--|---|------------------------------|-------|------------------|----------------------|---------------------|----------------------|
| WG-100RPTDLF | RPT RBT | L M H XH TW WD ³ | 927 930 935 940 TW WD ³ | X S D010 PEQO TW | RRC | OA MPL RSC | 16 32 41 65 | W S ⁷ | LP CP IC WL |

- Model**
- WG-100RPTDLF = 4" ProTools DL Downlight
- Fixation**
- RPT = Recessed Plaster Trim
 - RBT = Recessed Bezel Trim
- Power^{1,2}**
- L = Low Power, 5.7W @ 350mA
 - M = Mid Power, 8.4W @ 500mA
 - H = High Power, 12W @ 700mA
 - XH = Extra High Power, 17.8W @ 1050mA
 - TW = 9W @ 500mA
 - WD = 0.4 - 11.8W @ 350mA³
- CRI/CCT⁴**
- 90+ CRI (Low/Mid/High/Extra High)
- 927 = 2700K, (492/683/919/1287 lm)
 - 930 = 3000K, (529/734/989/1385 lm)
 - 935 = 3500K, (529/734/989/1385 lm)
 - 940 = 4000K, (567/786/1058/1483 lm)
 - TW = Tunable White 1800 - 4000K, (610 - 1060 lm)
 - WD = Warm Dimming 1800 - 3000K, (31 - 1150 lm)³
- Driver⁵**
- X = Remote driver, ordered separately
 - S = Standard non-dim driver, 120-277V
 - D010 = EldoLED, 1%, 0-10V Driver, 120-277V
 - PEQO = Lutron Hi-lume Premier 0.1% EcoSystem, SoftOn/FadeToBlack, 120-277V
 - TW = EldoLED, 0.1%, DALI dimming (TW), 120-277V
- Cover**
- RRC = Round Recessed Cone
- Lens**
- OA = Open Aperture
 - MPL = Micro-prismatic Lens
 - RSC = Satin Clear
- Beam**
- 16 = 16° Beam Angle
 - 32 = 32° Beam Angle
 - 41 = 41° Beam Angle
 - 65 = 65° Beam Angle
- Finish⁶**
- W = White, 15% gloss, Tiger Drylac 49/11350 (standard)
 - S = Silver, 15% gloss, Tiger Drylac49/90500⁷
- Options**
- ProTools downlights require no additional options kits for remodel & new construction
- LP = Landing Pan (specify for Acoustic Ceiling Tile installation)
 - CP = Chicago Plenum Housing
 - IC = IC/NC Housing
 - WL = Wet Location (not available with open aperture)

Whitegoods reserves the right to change any information without prior notice.

Notes

- 1 Other lumen packages available, consult factory.
- 2 Wattage shown does not include power supplies/drivers. System wattage adds 10-20%.
- 3 Available with PEQO drivers only.
- 4 Delivered lumen data shown for WG-100RPTDLF-...-SRC-OA-16-W. See page 2 of specsheet for delivered lumen data for other product configurations.
- 5 See power supply page for details.
- 6 See Tiger Drylac color chart: inter-lux.com/tiger
- 7 Plaster trim version includes white frame and silver cover.

4" ProTools DL Downlight Square Regressed Pinhole

Multiple Beam Options From Regressed Source

- 4" square downlight with 2" light aperture.
- 1/2" regressed aperture / lens position provides good glare control.
- Beam Angle: Various, Cut Off: 55°.
- Open aperture, clear lens or high transmission diffuser.
- Luminaire and driver installed and maintained from below the ceiling.
- Mounts in 1/16" to 1" surface.
- Tunable White and Warm Dim.
- Modular interchangeability throughout the entire ProTools range of products.

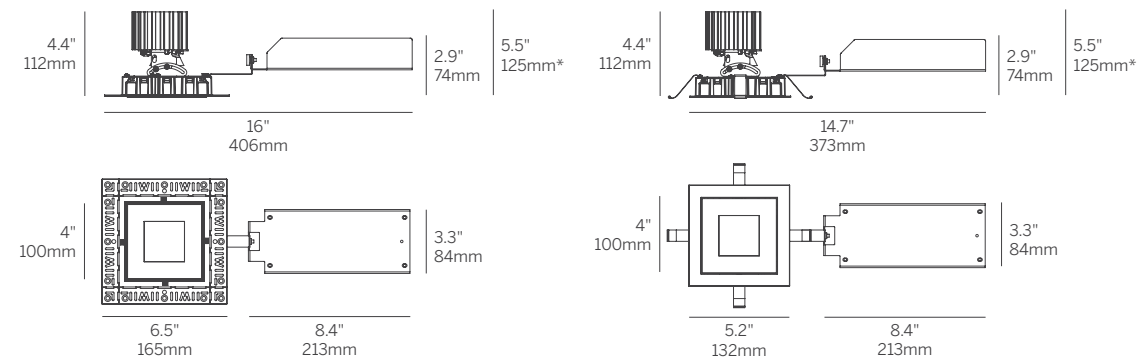
- Housing** Die-caste aluminum for precision fit and heat dissipation
Mounting hardware for all ceiling types; trim and trimless
EZ clip mounting for secure installation
Snap-in cover
Trimless housing with Quick-Snap feature allows endless multiple combinations without specialized housings
- Covers** Square regressed pinhole - smallest aperture, maximum glare control
- LED** 90+ CRI
Low/Mid/High/Extra High output choices
2700K, 3000K, 3500K, 4000K
Tunable White from 1800K - 4000K
Warm Dim from 1800 - 3000K
- Beam** 16, 32, 41 and 65 degree beam spreads
- Driver** Integral and remote drivers for all dimming and non-dimming applications
Through-wire integral driver enclosure installed from below without the need for bulky housing
POE driver compatibility
- Installation** Not required when using the Driver Enclosure
- Housing** Optional: IC and Chicago plenum
Optional: new construction (with j-box and driver attached)
Optional: Landing pan for use with Driver Enclosure to locate cut-out locations
- Warranty** 5-year Limited (see complete company warranty information)
- Certifications** ETL and ETL-C for dry and damp location, CE



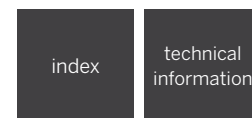
Recessed Plaster Trim



Recessed Bezel Trim



*Minimum of 5.5" (127mm) ceiling void is required to install the integral driver from below the ceiling.



Design Guide
106-109

4" ProTools DL Downlight Square Regressed Pinhole

| Model | Fixation | Power ^{1,2} | CRI/ CCT ⁴ | Driver ⁵ | Cover | Lens | Beam | Finish ⁶ | Options |
|--------------|------------|--|---|------------------------------|-------|------------------|----------------------|---------------------|----------------|
| WG-100SPTDLF | RPT RBT | L M H XH TW WD ³ | 927 930 935 940 TW WD ³ | X S D010 PEQO TW | SRP | OA MPL RSC | 16 32 41 65 | W S ⁷ | LP CP IC |

- Model**
- WG-100SPTDLF = 4" ProTools DL Downlight
- Fixation**
- RPT = Recessed Plaster Trim
 - RBT = Recessed Bezel Trim
- Power^{1,2}**
- L = Low Power, 5.7W @ 350mA
 - M = Mid Power, 8.4W @ 500mA
 - H = High Power, 12W @ 700mA
 - XH = Extra High Power, 17.8W @ 1050mA
 - TW = 9W @ 500mA
 - WD = 0.4 - 11.8W @ 350mA³
- CRI/CCT⁴**
- 90+ CRI (Low/Mid/High/Extra High)
- 927 = 2700K, (494/686/923/1293 lm)
 - 930 = 3000K, (532/738/ 993/1391 lm)
 - 935 = 3500K, (532/738/993/1391 lm)
 - 940 = 4000K, (569/790/1063/1489 lm)
 - TW = Tunable White 1800 - 4000K, (610 - 1060 lm)
 - WD = Warm Dimming 1800 - 3000K, (31 - 1150 lm)³
- Driver⁵**
- X = Remote driver, ordered separately
 - S = Standard non-dim driver, 120-277V
 - D010 = EldoLED, 1%, 0-10V Driver, 120-277V
 - PEQO = Lutron Hi-lume Premier 0.1% EcoSystem, SoftOn/FadeToBlack, 120-277V
 - TW = EldoLED, 0.1%, DALI dimming (TW), 120-277V

- Cover**
- SRP = Square Regressed Pinhole
- Lens**
- OA = Open Aperture
 - MPL = Micro-prismatic Lens
 - RSC = Satin Clear
- Beam**
- 16 = 16° Beam Angle
 - 32 = 32° Beam Angle
 - 41 = 41° Beam Angle
 - 65 = 65° Beam Angle
- Finish⁶**
- W = White, 15% gloss, Tiger Drylac 49/11350 (standard)
 - S = Silver, 15% gloss, Tiger Drylac49/90500⁷
- Options**
- ProTools downlights require no additional options kits for remodel & new construction
- LP = Landing Pan (specify for Acoustic Ceiling Tile installation)
 - CP = Chicago Plenum Housing
 - IC = IC/NC Housing

Whitegoods reserves the right to change any information without prior notice.

Notes

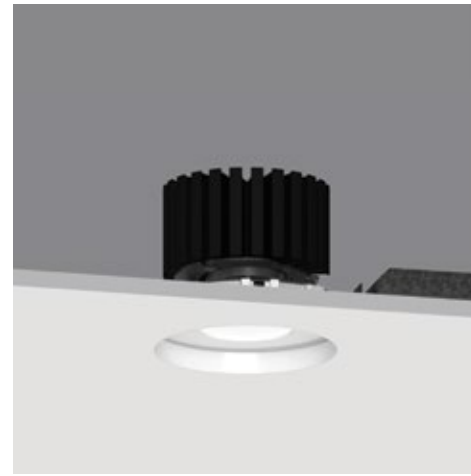
- 1 Other lumen packages available, consult factory.
- 2 Wattage shown does not include power supplies/drivers. System wattage adds 10-20%.
- 3 Available with PEQO drivers only.
- 4 Delivered lumen data shown for WG-100RPTDLF-...-SRP-OA-16-W. See page 2 of specsheet for delivered lumen data for other product configurations.
- 5 See power supply page for details.
- 6 See Tiger Drylac color chart: inter-lux.com/tiger
- 7 Plaster trim version includes white frame and silver cover.

4" ProTools DL Downlight Round Regressed Pinhole

Multiple Beam Options From Regressed Source

- 4" round downlight with 2" light aperture.
- 1/2" regressed aperture / lens position provides good glare control.
- Beam Angle: Various, Cut Off: 55°.
- Open aperture, clear lens or high transmission diffuser.
- Luminaire and driver installed and maintained from below the ceiling.
- Mounts in 1/16" to 1" surface.
- Tunable White and Warm Dim.
- Modular interchangeability throughout the entire ProTools range of products.

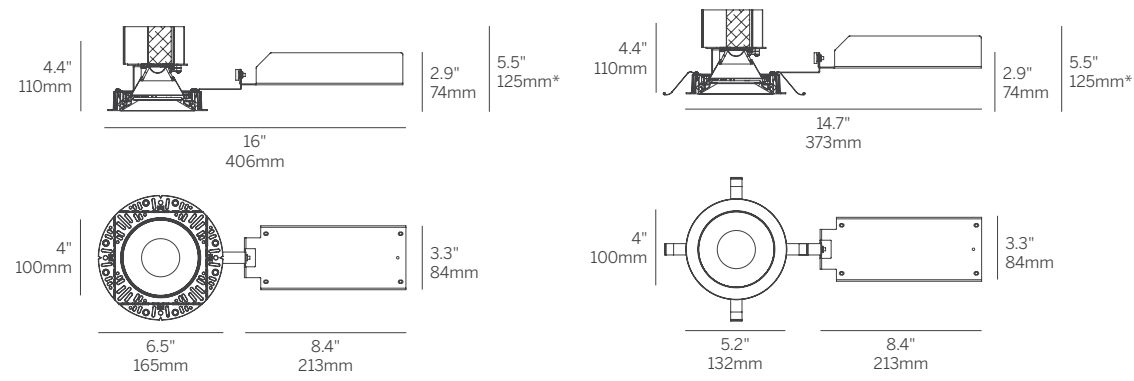
- Housing** Die-caste aluminum for precision fit and heat dissipation
Mounting hardware for all ceiling types; trim and trimless
EZ clip mounting for secure installation
Snap-in cover
Trimless housing with Quick-Snap feature allows endless multiple combinations without specialized housings
- Covers** Round regressed pinhole - smallest aperture, maximum glare control
- LED** 90+ CRI
Low/Mid/High/Extra High output choices
2700K, 3000K, 3500K, 4000K
Tunable White from 1800K - 4000K
Warm Dim from 1800 - 3000K
- Beam** 16, 32, 41 and 65 degree beam spreads
- Driver** Integral and remote drivers for all dimming and non-dimming applications
Through-wire integral driver enclosure installed from below without the need for bulky housing
POE driver compatibility
- Installation** Not required when using the Driver Enclosure
- Housing** Optional: IC and Chicago plenum
Optional: new construction (with j-box and driver attached)
Optional: Landing pan for use with Driver Enclosure to locate cut-out locations
- Warranty** 5-year Limited (see complete company warranty information)
- Certifications** ETL and ETL-C for dry and damp location, CE



Recessed Plaster Trim



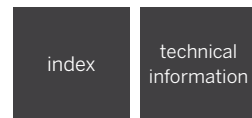
Recessed Bezel Trim



Plaster Trim

Bezel Trim

*Minimum of 5.5" (127mm) ceiling void is required to install the integral driver from below the ceiling.



Design Guide
106-109

4" ProTools DL Downlight Round Regressed Pinhole

| Model | Fixation | Power ^{1,2} | CRI/ CCT ⁴ | Driver ⁵ | Cover | Lens | Beam | Finish ⁶ | Options |
|--------------|------------|--|---|------------------------------|-------|------------------|----------------------|---------------------|----------------|
| WG-100RPTDLF | RPT RBT | L M H XH TW WD ³ | 927 930 935 940 TW WD ³ | X S D010 PEQ0 TW | RRP | OA MPL RSC | 16 32 41 65 | W S ⁷ | LP CP IC |

- Model**
- WG-100RPTDLF = 4" ProTools DL Downlight
- Fixation**
- RPT = Recessed Plaster Trim
 - RBT = Recessed Bezel Trim
- Power^{1,2}**
- L = Low Power, 5.7W @ 350mA
 - M = Mid Power, 8.4W @ 500mA
 - H = High Power, 12W @ 700mA
 - XH = Extra High Power, 17.8W @ 1050mA
 - TW = 9W @ 500mA
 - WD = 0.4 - 11.8W @ 350mA³
- CRI/CCT³**
- 90+ CRI (Low/Mid/High/Extra High)
- 927 = 2700K, (492/683/919/1287 lm)
 - 930 = 3000K, (529/734/989/1385 lm)
 - 935 = 3500K, (529/734/989/1385 lm)
 - 940 = 4000K, (567/786/1058/1483 lm)
 - TW = Tunable White 1800 - 4000K, (610 - 1060 lm)
 - WD = Warm Dimming 1800 - 3000K, (31 - 1150 lm)³
- Driver⁴**
- X = Remote driver, ordered separately
 - S = Standard non-dim driver, 120-277V
 - D010 = EldoLED, 1%, 0-10V Driver, 120-277V
 - PEQ0 = Lutron Hi-lume Premier 0.1% EcoSystem, SoftOn/FadeToBlack, 120-277V
 - TW = EldoLED, 0.1%, DALI dimming (TW), 120-277V

- Cover**
- RRP = Round Regressed Pinhole
- Lens**
- OA = Open Aperture
 - MPL = Micro-prismatic Lens
 - RSC = Satin Clear
- Beam**
- 16 = 16° Beam Angle
 - 32 = 32° Beam Angle
 - 41 = 41° Beam Angle
 - 65 = 65° Beam Angle
- Finish⁶**
- W = White, 15% gloss, Tiger Drylac 49/11350 (standard)
 - S = Silver, 15% gloss, Tiger Drylac49/90500⁷
- Options**
- ProTools downlights require no additional options kits for remodel & new construction
- LP = Landing Pan (specify for Acoustic Ceiling Tile installation)
 - CP = Chicago Plenum Housing
 - IC = IC/NC Housing

Whitegoods reserves the right to change any information without prior notice.

Notes

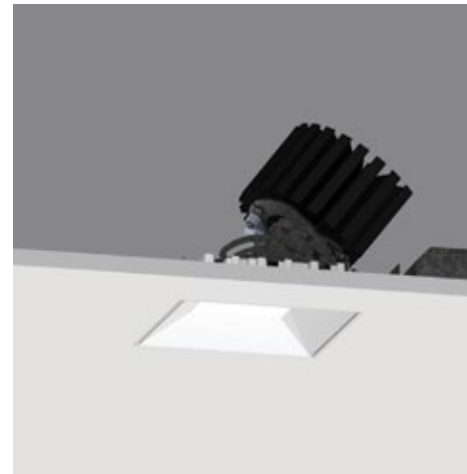
- 1 Other lumen packages available, consult factory.
- 2 Wattage shown does not include power supplies/drivers. System wattage adds 10-20%.
- 3 Delivered lumen data shown for WG-100RPTDLF -...-RRP-OA-16-W. See page 2 of specsheet for delivered lumen data for other product configurations.
- 4 See power supply page for details.
- 5 See Tiger Drylac color chart: inter-lux.com/tiger
- 5 Plaster trim version includes white frame and silver cover.

4" ProTools DL Adjustable Square Recessed Cone

Multiple Beam Options With Pan And Tilt Adjustment From Regressed Source

- 4" square downlight with 2" light aperture.
- 0.7" regressed aperture / lens position provides good glare control.
- Beam Angle: Various, Cut Off: 35°.
- Open aperture, clear lens or high transmission diffuser.
- Luminaire and driver installed and maintained from below the ceiling.
- Mounts in 1/16" to 1" surface.
- Tunable White and Warm Dim.
- Modular interchangeability throughout the entire ProTools range of products.
- Tilt 40°, rotation 365°, 144 step.
- Wet Location as standard option (WL).

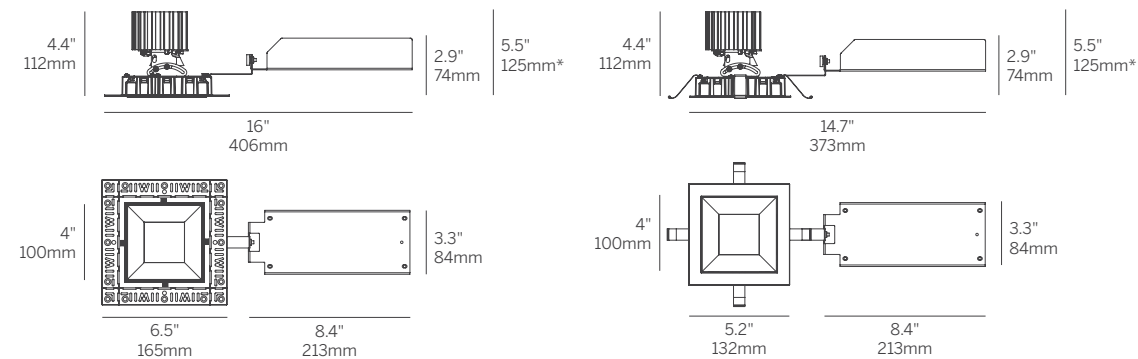
- Housing** Die-caste aluminum for precision fit and heat dissipation
Mounting hardware for all ceiling types; trim and trimless
EZ clip mounting for secure installation
Snap-in cover
Trimless housing with Quick-Snap feature allows endless multiple combinations without specialized housings
- Covers** Square recessed cone - low brightness, general illumination
- LED** 90+ CRI
Low/Mid/High/Extra High output choices
2700K, 3000K, 3500K, 4000K
Tunable White from 1800K - 4000K
Warm Dim from 1800 - 3000K
- Beam** 16, 32 and 41 degree beam spreads
- Driver** Integral and remote drivers for all dimming and non-dimming applications
Through-wire integral driver enclosure installed from below without the need for bulky housing
POE driver compatibility
- Installation** Not required when using the Driver Enclosure
- Housing** Optional: IC and Chicago plenum
Optional: new construction (with j-box and driver attached)
Optional: Landing pan for use with Driver Enclosure to locate cut-out locations
- Warranty** 5-year Limited (see complete company warranty information)
- Certifications** ETL and ETL-C for dry and damp location, CE, Wet Location rated



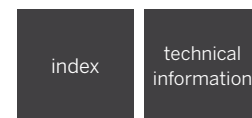
Recessed Plaster Trim



Recessed Bezel Trim



*Minimum of 5.5" (127mm) ceiling void is required to install the integral driver from below the ceiling.



Design Guide 106-109

4" ProTools DL Adjustable Square Recessed Cone

| Model | Fixation | Power ^{1,2} | CRI/CCT ⁴ | Driver ⁵ | Cover | Lens | Beam | Finish ⁵ | Options |
|--------------|------------|--|---|------------------------------|-------|------------------|----------------|---------------------|----------------------|
| WG-100SPTDLA | RPT RBT | L M H XH TW WD ³ | 927 930 935 940 TW WD ³ | X S D010 PEQ0 TW | SRC | OA MPL RSC | 16 32 41 | W S ⁷ | LP CP IC WL |

- Model**
- WG-100SPTDLA = 4" ProTools DL Adjustable
- Fixation**
- RPT = Recessed Plaster Trim
 - RBT = Recessed Bezel Trim
- Power^{1,2}**
- L = Low Power, 5.7W @ 350mA
 - M = Mid Power, 8.4W @ 500mA
 - H = High Power, 12W @ 700mA
 - XH = Extra High Power, 17.8W @ 1050mA
 - TW = 9W @ 500mA
 - WD = 0.4 - 11.8W @ 350mA³
- CRI/CCT⁴**
- 90+ CRI (Low/Mid/High/Extra High)
- 927 = 2700K, (552/766/1031/1445 lm)
 - 930 = 3000K, (594/824/1110/1555 lm)
 - 935 = 3500K, (594/824/1110/1555 lm)
 - 940 = 4000K, (636/883/1188/1664 lm)
 - TW = Tunable White 1800 - 4000K, (610 - 1060 lm)
 - WD = Warm Dimming 1800 - 3000K, (31 - 1150 lm)³
- Driver⁵**
- X = Remote driver, ordered separately
 - S = Standard non-dim driver, 120-277V
 - D010 = EldoLED, 1%, 0-10V Driver, 120-277V
 - PEQ0 = Lutron Hi-lume Premier 0.1% EcoSystem, SoftOn/FadeToBlack, 120-277V
 - TW = EldoLED, 0.1%, DALI dimming (TW), 120-277V

- Cover**
- SRC = Square Recessed Cone
- Lens**
- OA = Open Aperture
 - MPL = Micro-prismatic Lens
 - RSC = Satin Clear
- Beam**
- 16 = 16° Beam Angle
 - 32 = 32° Beam Angle
 - 41 = 41° Beam Angle
- Finish⁶**
- W = White, 15% gloss, Tiger Drylac 49/11350 (standard)
 - S = Silver, 15% gloss, Tiger Drylac49/90500⁷
- Options**
- ProTools downlights require no additional options kits for remodel & new construction
- LP = Landing Pan (specify for Acoustic Ceiling Tile installation)
 - CP = Chicago Plenum Housing
 - IC = IC/NC Housing
 - WL = Wet Location (not available with open aperture)

Whitegoods reserves the right to change any information without prior notice.

Notes

- 1 Other lumen packages available, consult factory.
- 2 Wattage shown does not include power supplies/drivers. System wattage adds 10-20%.
- 3 Delivered lumen data shown for WG-100SPTDLA-...-SRC-OA-16-W. See page 2 of specsheet for delivered lumen data for other product configurations.
- 4 See power supply page for details.
- 5 See Tiger Drylac color chart: inter-lux.com/tiger
- 6 Plaster trim version includes white frame and silver cover.

4" ProTools DL Adjustable Round Recessed Cone

Multiple Beam Options With Pan And Tilt Adjustment From Regressed Source

- 4" round downlight with 2" light aperture.
- 0.7" regressed aperture / lens position provides good glare control.
- Beam Angle: Various, Cut Off: 35°.
- Open aperture, clear lens or high transmission diffuser.
- Luminaire and driver installed and maintained from below the ceiling.
- Mounts in 1/16" to 1" surface.
- Tunable White and Warm Dim.
- Modular interchangeability throughout the entire ProTools range of products.
- Tilt 40°, rotation 365°, 144 step.
- Wet Location as standard option (WL).

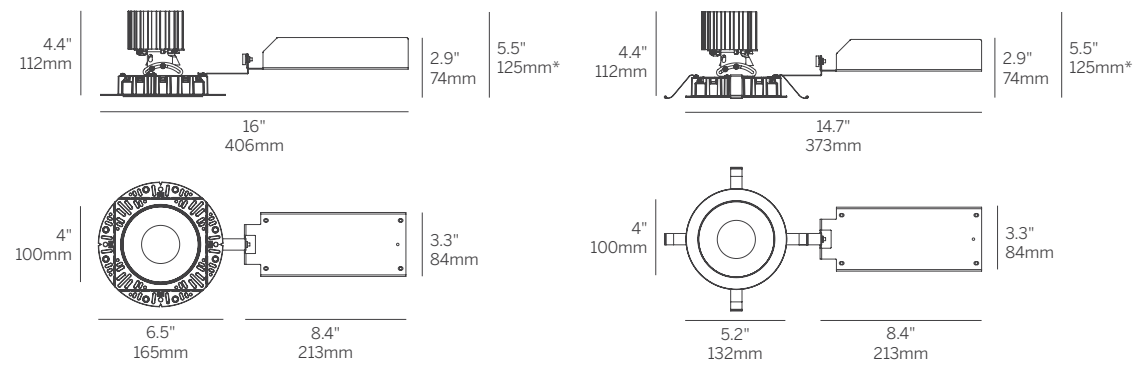
- Housing** Die-caste aluminum for precision fit and heat dissipation
Mounting hardware for all ceiling types; trim and trimless
EZ clip mounting for secure installation
Snap-in cover
Trimless housing with Quick-Snap feature allows endless multiple combinations without specialized housings
- Covers** Round recessed cone - low brightness, general illumination
- LED** 90+ CRI
Low/Mid/High/Extra High output choices
2700K, 3000K, 3500K, 4000K
Tunable White from 1800K - 4000K
Warm Dim from 1800 - 3000K
- Beam** 16, 32 and 41 degree beam spreads
- Driver** Integral and remote drivers for all dimming and non-dimming applications
Through-wire integral driver enclosure installed from below without the need for bulky housing
POE driver compatibility
- Installation** Not required when using the Driver Enclosure
- Housing** Optional: IC and Chicago plenum
Optional: new construction (with j-box and driver attached)
Optional: Landing pan for use with Driver Enclosure to locate cut-out locations
- Warranty** 5-year Limited (see complete company warranty information)
- Certifications** ETL and ETL-C for dry and damp location, CE, Wet Location rated



Recessed Plaster Trim



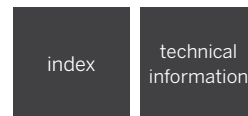
Recessed Bezel Trim



Plaster Trim

Bezel Trim

*Minimum of 5.5" (127mm) ceiling void is required to install the integral driver from below the ceiling.



Design Guide 106-109

4" ProTools DL Adjustable Round Recessed Cone

| Model | Fixation | Power ^{1,2} | CRI/CCT ⁴ | Driver ⁵ | Cover | Lens | Beam | Finish ⁶ | Options |
|--------------|------------|--|---|------------------------------|-------|------------------|----------------|---------------------|----------------------|
| WG-100SPTDLA | RPT RBT | L M H XH TW WD ³ | 927 930 935 940 TW WD ³ | X S D010 PEQO TW | RRC | OA MPL RSC | 16 32 41 | W S ⁷ | LP CP IC WL |

Model

- WG-100SPTDLA = 4" ProTools DL Adjustable

Fixation

- RPT = Recessed Plaster Trim
- RBT = Recessed Bezel Trim

Power^{1,2}

- L = Low Power, 5.7W @ 350mA
- M = Mid Power, 8.4W @ 500mA
- H = High Power, 12W @ 700mA
- XH = Extra High Power, 17.8W @ 1050mA
- TW = 9W @ 500mA
- WD = 0.4 - 11.8W @ 350mA³

CRI/CCT⁴

- 90+ CRI (Low/Mid/High/Extra High)
- 927 = 2700K, (492/683/919/1287 lm)
 - 930 = 3000K, (529/734/989/1385 lm)
 - 935 = 3500K, (529/734/989/1385 lm)
 - 940 = 4000K, (567/786/1058/1483 lm)
 - TW = Tunable White 1800 - 4000K, (610 - 1060 lm)
 - WD = Warm Dimming 1800 - 3000K, (31 - 1150 lm)³

Driver⁴

- X = Remote driver, ordered separately
- S = Standard non-dim driver, 120-277V
- D010 = EldoLED, 1%, 0-10V Driver, 120-277V
- PEQO = Lutron Hi-lume Premier 0.1% EcoSystem, SoftOn/FadeToBlack, 120-277V
- TW = EldoLED, 0.1%, DALI dimming (TW), 120-277V

Cover

- RRC = Round Recessed Cone

Lens

- OA = Open Aperture
- MPL = Micro-prismatic Lens
- RSC = Satin Clear

Beam

- 16 = 16° Beam Angle
- 32 = 32° Beam Angle
- 41 = 41° Beam Angle

Finish⁶

- W = White, 15% gloss, Tiger Drylac 49/11350 (standard)
- S = Silver, 15% gloss, Tiger Drylac49/90500⁷

Options

- ProTools downlights require no additional options kits for remodel & new construction
- LP = Landing Pan (specify for Acoustic Ceiling Tile installation)
 - CP = Chicago Plenum Housing
 - IC = IC/NC Housing
 - WL = Wet Location (not available with open aperture)

Whitegoods reserves the right to change any information without prior notice.

Notes

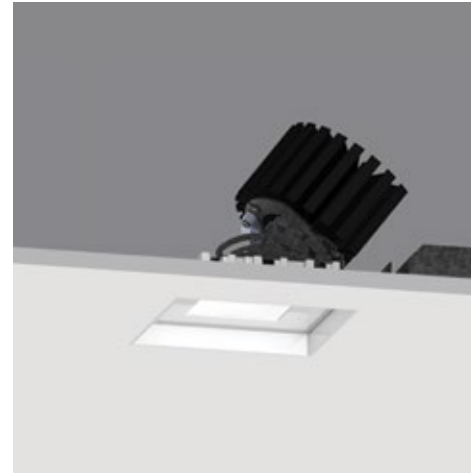
- 1 Other lumen packages available, consult factory.
- 2 Wattage shown does not include power supplies/drivers. System wattage adds 10-20%.
- 3 Delivered lumen data shown for WG-100RPTDLA-...-RRC-OA-16-W. See page 2 of specsheet for delivered lumen data for other product configurations.
- 4 See power supply page for details.
- 5 See Tiger Drylac color chart: inter-lux.com/tiger
- 6 Plaster trim version includes white frame and silver cover.

4" ProTools DL Adjustable Square Regressed Pinhole

Multiple Beam Options With Pan And Tilt Adjustment From Regressed Source

- 4" square downlight with 2" light aperture.
- 1/2" regressed aperture / lens position provides good glare control.
- Beam Angle: Various, Cut Off: 35°.
- Open aperture, clear lens or high transmission diffuser.
- Luminaire and driver installed and maintained from below the ceiling.
- Mounts in 1/16" to 1" surface.
- Tunable White and Warm Dim.
- Modular interchangeability throughout the entire ProTools range of products.
- Tilt 40°, rotation 365°, 144 step.

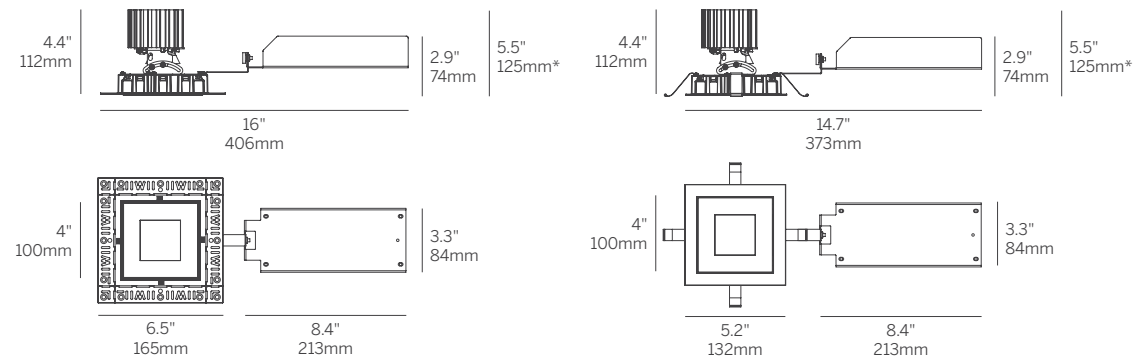
- Housing** Die-caste aluminum for precision fit and heat dissipation
Mounting hardware for all ceiling types; trim and trimless
EZ clip mounting for secure installation
Snap-in cover
Trimless housing with Quick-Snap feature allows endless multiple combinations without specialized housings
- Covers** Square regressed pinhole - smallest aperture, maximum glare control
- LED** 90+ CRI
Low/Mid/High/Extra High output choices
2700K, 3000K, 3500K, 4000K
Tunable White from 1800K - 4000K
Warm Dim from 1800 - 3000K
- Beam** 16, 32 and 41 degree beam spreads
- Driver** Integral and remote drivers for all dimming and non-dimming applications
Through-wire integral driver enclosure installed from below without the need for bulky housing
POE driver compatibility
- Installation** Not required when using the Driver Enclosure
- Housing** Optional: IC and Chicago plenum
Optional: new construction (with j-box and driver attached)
Optional: Landing pan for use with Driver Enclosure to locate cut-out locations
- Warranty** 5-year Limited (see complete company warranty information)
- Certifications** ETL and ETL-C for dry and damp location, CE



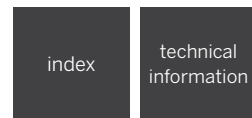
Recessed Plaster Trim



Recessed Bezel Trim



*Minimum of 5.5" (127mm) ceiling void is required to install the integral driver from below the ceiling.



Design Guide 106-109

4" ProTools DL Adjustable Square Regressed Pinhole

| Model | Fixation | Power ^{1,2} | CRI/CCT ⁴ | Driver ⁵ | Cover | Lens | Beam | Finish ⁷ | Options |
|--------------|------------|--|---|------------------------------|-------|------------------|----------------|---------------------|----------------|
| WG-100SPTDLA | RPT RBT | L M H XH TW WD ³ | 927 930 935 940 TW WD ³ | X S D010 PEQ0 TW | SRP | OA MPL RSC | 16 32 41 | W S ⁷ | LP CP IC |

- Model**
- WG-100SPTDLA = 4" ProTools DL Adjustable
- Fixation**
- RPT = Recessed Plaster Trim
 - RBT = Recessed Bezel Trim
- Power^{1,2}**
- L = Low Power, 5.7W @ 350mA
 - M = Mid Power, 8.4W @ 500mA
 - H = High Power, 12W @ 700mA
 - XH = Extra High Power, 17.8W @ 1050mA
 - TW = 9W @ 500mA
 - WD = 0.4 - 11.8W @ 350mA
- CRI/CCT⁴**
- 90+ CRI (Low/Mid/High/Extra High)
- 927 = 2700K, (494/686/923/1293 lm)
 - 930 = 3000K, (532/738/993/1391 lm)
 - 935 = 3500K, (532/738/993/1391 lm)
 - 940 = 4000K, (569/790/1063/1489 lm)
 - TW = Tunable White 1800 - 4000K, (610 - 1060 lm)
 - WD = Warm Dimming 1800 - 3000K, (31 - 1150 lm)
- Driver⁵**
- X = Remote driver, ordered separately
 - S = Standard non-dim driver, 120-277V
 - D010 = EldoLED, 1%, 0-10V Driver, 120-277V
 - PEQ0 = Lutron Hi-lume Premier 0.1% EcoSystem, SoftOn/FadeToBlack, 120-277V
 - TW = EldoLED, 0.1%, DALI dimming (TW), 120-277V
- Cover**
- SRP = Square Regressed Pinhole
- Lens**
- OA = Open Aperture
 - MPL = Micro-prismatic Lens
 - RSC = Satin Clear
- Beam**
- 16 = 16° Beam Angle
 - 32 = 32° Beam Angle
 - 41 = 41° Beam Angle
- Finish⁶**
- W = White, 15% gloss, Tiger Drylac 49/11350 (standard)
 - S = Silver, 15% gloss, Tiger Drylac49/90500⁷
- Options**
- ProTools downlights require no additional options kits for remodel & new construction
- LP = Landing Pan (specify for Acoustic Ceiling Tile installation)
 - CP = Chicago Plenum Housing
 - IC = IC/NC Housing

Whitegoods reserves the right to change any information without prior notice.

Notes

- 1 Other lumen packages available, consult factory.
- 2 Wattage shown does not include power supplies/drivers. System wattage adds 10-20%.
- 3 Delivered lumen data shown for WG-00SPTDLA...SRP-OA-16-W. See page 2 of specsheet for delivered lumen data for other product configurations.
- 4 See power supply page for details.
- 5 See Tiger Drylac color chart: inter-lux.com/tiger
- 6 Plaster trim version includes white frame and silver cover.

4" ProTools DL Adjustable Round Regressed Pinhole

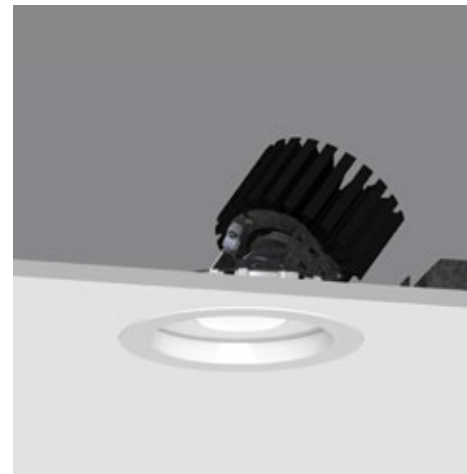
Multiple Beam Options With Pan And Tilt Adjustment From Regressed Source

- 4" round downlight with 2" light aperture.
- 1/2" regressed aperture / lens position provides good glare control.
- Beam Angle: Various, Cut Off: 35°.
- Open aperture, clear lens or high transmission diffuser.
- Luminaire and driver installed and maintained from below the ceiling.
- Mounts in 1/16" to 1" surface.
- Tunable White and Warm Dim.
- Modular interchangeability throughout the entire ProTools range of products.
- Tilt 40°, rotation 365°, 144 step.

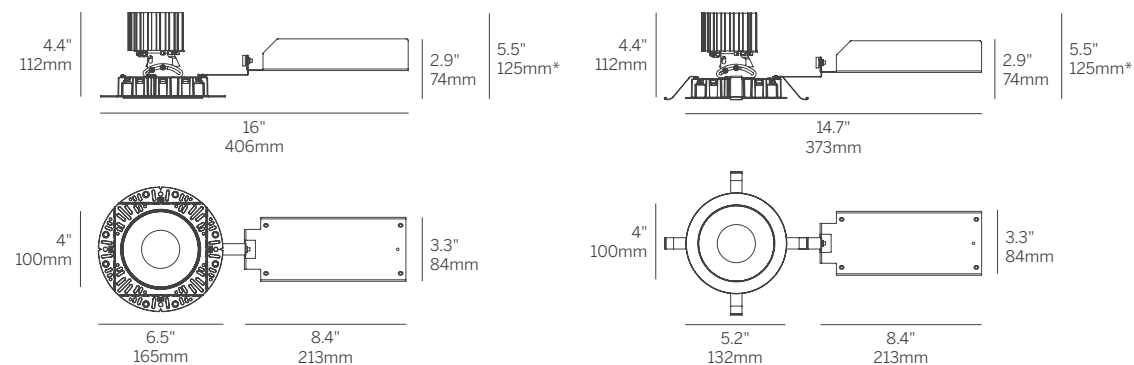
- Housing** Die-caste aluminum for precision fit and heat dissipation
Mounting hardware for all ceiling types; trim and trimless
EZ clip mounting for secure installation
Snap-in cover
Trimless housing with Quick-Snap feature allows endless multiple combinations without specialized housings
- Covers** Round regressed pinhole - smallest aperture, maximum glare control
- LED** 90+ CRI
Low/Mid/High/Extra High output choices
2700K, 3000K, 3500K, 4000K
Tunable White from 1800K - 4000K
Warm Dim from 1800 - 3000K
- Beam** 16, 32 and 41 degree beam spreads
- Driver** Integral and remote drivers for all dimming and non-dimming applications
Through-wire integral driver enclosure installed from below without the need for bulky housing
POE driver compatibility
- Installation** Not required when using the Driver Enclosure
- Housing** Optional: IC and Chicago plenum
Optional: new construction (with j-box and driver attached)
Optional: Landing pan for use with Driver Enclosure to locate cut-out locations
- Warranty** 5-year Limited (see complete company warranty information)
- Certifications** ETL and ETL-C for dry and damp location, CE



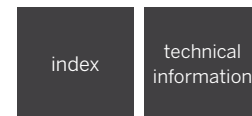
Recessed Plaster Trim



Recessed Bezel Trim



*Minimum of 5.5" (127mm) ceiling void is required to install the integral driver from below the ceiling.



Design Guide 106-109

4" ProTools DL Adjustable Round Regressed Pinhole

| Model | Fixation | Power ^{1,2} | CRI/CCT ⁴ | Driver ⁵ | Cover | Lens | Beam | Finish ⁶ | Options |
|--------------|------------|--|---|------------------------------|-------|------------------|----------------|---------------------|----------------|
| WG-100RPTDLA | RPT RBT | L M H XH TW WD ³ | 927 930 935 940 TW WD ³ | X S D010 PEQO TW | RRP | OA MPL RSC | 16 32 41 | W S ⁷ | LP CP IC |

- Model**
- WG-100RPTDLA = 4" ProTools DL Adjustable
- Fixation**
- RPT = Recessed Plaster Trim
 - RBT = Recessed Bezel Trim
- Power^{1,2}**
- L = Low Power, 5.7W @ 350mA
 - M = Mid Power, 8.4W @ 500mA
 - H = High Power, 12W @ 700mA
 - XH = Extra High Power, 17.8W @ 1050mA
 - TW = 9W @ 500mA
 - WD = 0.4 - 11.8W @ 350mA³
- CRI/CCT⁴**
- 90+ CRI (Low/Mid/High/Extra High)
- 927 = 2700K, (492/683/919/1287 lm)
 - 930 = 3000K, (529/734/989/1385 lm)
 - 935 = 3500K, (529/734/989/1385 lm)
 - 940 = 4000K, (567/786/1058/1483 lm)
 - TW = Tunable White 1800 - 4000K, (610 - 1060 lm)
 - WD = Warm Dimming 1800 - 3000K, (31 - 1150 lm)³
- Driver⁵**
- X = Remote driver, ordered separately
 - S = Standard non-dim driver, 120-277V
 - D010 = EldoLED, 1%, 0-10V Driver, 120-277V
 - PEQO = Lutron Hi-lume Premier 0.1% EcoSystem, SoftOn/FadeToBlack, 120-277V
 - TW = EldoLED, 0.1%, DALI dimming (TW), 120-277V
- Cover**
- RRP = Round Regressed Pinhole
- Lens**
- OA = Open Aperture
 - MPL = Micro-prismatic Lens
 - RSC = Satin Clear
- Beam**
- 16 = 16° Beam Angle
 - 32 = 32° Beam Angle
 - 41 = 41° Beam Angle
- Finish⁶**
- W = White, 15% gloss, Tiger Drylac 49/11350 (standard)
 - S = Silver, 15% gloss, Tiger Drylac49/90500⁷
- Options**
- ProTools downlights require no additional options kits for remodel & new construction
- LP = Landing Pan (specify for Acoustic Ceiling Tile installation)
 - CP = Chicago Plenum Housing
 - IC = IC/NC Housing

Whitegoods reserves the right to change any information without prior notice.

Notes

- 1 Other lumen packages available, consult factory.
- 2 Wattage shown does not include power supplies/drivers. System wattage adds 10-20%.
- 3 Delivered lumen data shown for WG-100RPTDLA-...-RRP-OA-16-W. See page 2 of specsheet for delivered lumen data for other product configurations.
- 4 See power supply page for details.
- 5 See Tiger Drylac color chart: inter-lux.com/tiger
- 6 Plaster trim version includes white frame and silver cover.

4" ProTools DL Adjustable Square Asymmetric Cone

Asymmetric Cover For Minimum Beam Clipping With Wider Angle Optics And Higher Angle Focusing

- 4" square downlight with 2" light aperture.
- 0.7 regressed aperture / lens position provides good glare control.
- Beam Angle: Various
- Asymmetric cover to minimize beam clipping when tilted.
- Open aperture, clear lens or high transmission diffuser.
- Luminaire and driver installed and maintained from below the ceiling.
- Mounts in 1/16" to 1" surface.
- Tunable White and Warm Dim.
- Modular interchangeability throughout the entire ProTools range of products.
- Tilt 40°, rotation 365°, 144 step.
- Wet Location as standard option (WL).

Housing Die-cast aluminum for precision fit and heat dissipation
 Mounting hardware for all ceiling types; trim and trimless
 EZ clip mounting for secure installation
 Snap-in cover
 Trimless housing with Quick-Snap feature allows endless multiple combinations without specialized housings

Covers Square asymmetric cone with minimal ceiling interruption

LED 90+ CRI
 Low/Mid/High/Extra High output choices
 2700K, 3000K, 3500K, 4000K
 Tunable White from 1800K - 4000K
 Warm Dim from 1800 - 3000K

Beam 16, 32 and 41 degree beam spreads

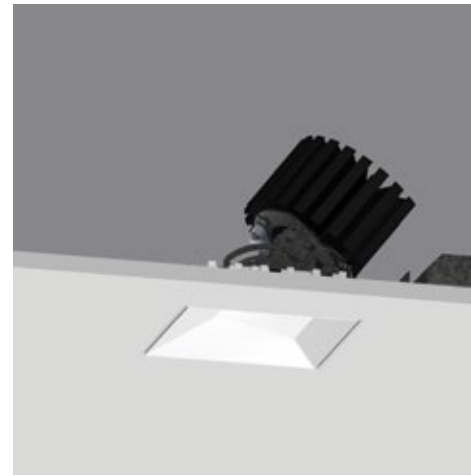
Driver Integral and remote drivers for all dimming and non-dimming applications
 Through-wire integral driver enclosure installed from below without the need for bulky housing
 POE driver compatibility

Installation Not required when using the Driver Enclosure

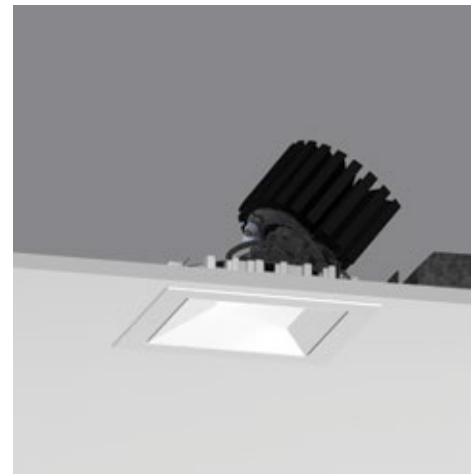
Housing Optional: IC and Chicago plenum
 Optional: new construction (with j-box and driver attached)
 Optional: Landing pan for use with Driver Enclosure to locate cut-out locations

Warranty 5-year Limited (see complete company warranty information)

Certifications ETL and ETL-C for dry and damp location, CE, Wet Location rated



Recessed Plaster Trim



Recessed Bezel Trim

4" ProTools DL Adjustable Square Asymmetric Cover

| Model | Fixation | Power ^{1,2} | CRI/CCT ⁴ | Driver ⁵ | Cover | Lens | Beam | Finish ⁶ | Options |
|--------------|------------|--|---|------------------------------|-------|------------------|----------------|---------------------|----------------------|
| WG-100SPTDLA | RPT RBT | L M H XH TW WD ³ | 927 930 935 940 TW WD ³ | X S D010 PEQ0 TW | SAC | OA MPL RSC | 16 32 41 | W S ⁷ | LP CP IC WL |

Model
 ■ WG-100SPTDLA = 4" ProTools DL Adjustable

Fixation
 ■ RPT = Recessed Plaster Trim
 ■ RBT = Recessed Bezel Trim

Power^{1,2}
 ■ L = Low Power, 5.7W @ 350mA
 ■ M = Mid Power, 8.4W @ 500mA
 ■ H = High Power, 12W @ 700mA
 ■ XH = Extra High Power, 17.8W @ 1050mA
 ■ TW = 9W @ 500mA
 ■ WD = 0.4 - 11.8W @ 350mA³

CRI/CCT⁴
 90+ CRI (Low/Mid/High/Extra High)
 ■ 927 = 2700K, (447/620/834/1169 lm)
 ■ 930 = 3000K, (481/667/898/1258 lm)
 ■ 935 = 3500K, (481/667/898/1258 lm)
 ■ 940 = 4000K, (515/714/961/1347 lm)
 ■ TW = Tunable White 1800 - 4000K, (610 - 1060 lm)
 ■ WD = Warm Dimming 1800 - 3000K, (31 - 1150 lm)³

Driver⁵
 ■ X = Remote driver, ordered separately
 ■ S = Standard non-dim driver, 120-277V
 ■ D010 = EldoLED, 1%, 0-10V Driver, 120-277V
 ■ PEQ0 = Lutron Hi-lume Premier 0.1% EcoSystem, SoftOn/FadeToBlack, 120-277V
 ■ TW = EldoLED, 0.1%, DALI dimming (TW), 120-277V

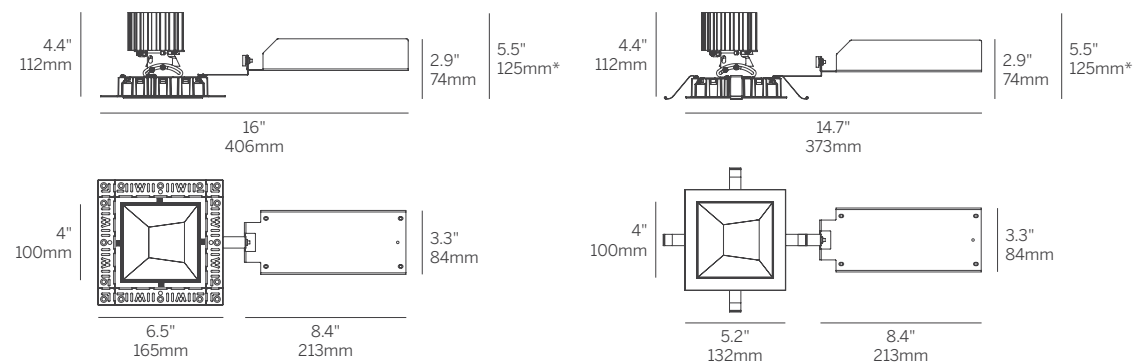
Cover
 ■ SAC = Square Asymmetric Cone

Lens
 ■ OA = Open Aperture
 ■ MPL = Micro-prismatic Lens
 ■ RSC = Satin Clear

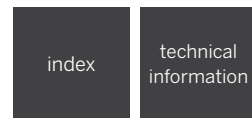
Beam
 ■ 16 = 16° Beam Angle
 ■ 32 = 32° Beam Angle
 ■ 41 = 41° Beam Angle

Finish⁶
 ■ W = White, 15% gloss, Tiger Drylac 49/11350 (standard)
 ■ S = Silver, 15% gloss, Tiger Drylac49/90500⁷

Options
 ProTools downlights require no additional options kits for remodel & new construction
 ■ LP = Landing Pan (specify for Acoustic Ceiling Tile installation)
 ■ CP = Chicago Plenum Housing
 ■ IC = IC/NC Housing
 ■ WL = Wet Location (not available with open aperture)



*Minimum of 5.5" (127mm) ceiling void is required to install the integral driver from below the ceiling.



Design Guide 106-109

Whitegoods reserves the right to change any information without prior notice.

- Notes**
- Other lumen packages available, consult factory.
 - Wattage shown does not include power supplies/drivers. System wattage adds 10-20%.
 - Delivered lumen data shown for WG-100SPTDLA-...-SAC-OA-16-W. See page 2 of specsheet for delivered lumen data for other product configurations.
 - See power supply page for details.
 - See Tiger Drylac color chart: inter-lux.com/tiger
 - Plaster trim version includes white frame and silver cover.



4" ProTools DL Adjustable Round Asymmetric Cone

Asymmetric Cover For Minimum Beam Clipping With Wider Angle Optics And Higher Angle Focusing

- 4" round downlight with 2" light aperture.
- 0.7" regressed aperture / lens position provides good glare control.
- Beam Angle: Various
- Asymmetric cover to minimize beam clipping when tilted.
- Open aperture, clear lens or high transmission diffuser.
- Luminaire and driver installed and maintained from below the ceiling.
- Mounts in 1/16" to 1" surface.
- Tunable White and Warm Dim.
- Modular interchangeability throughout the entire ProTools range of products.
- Tilt 40°, rotation 365°, 144 step.
- Wet Location as standard option (WL).

Housing Die-caste aluminum for precision fit and heat dissipation
Mounting hardware for all ceiling types; trim and trimless
EZ clip mounting for secure installation
Snap-in cover
Trimless housing with Quick-Snap feature allows endless multiple combinations without specialized housings

Covers Round asymmetric cone with minimal ceiling interruption

LED 90+ CRI
Low/Mid/High/Extra High output choices
2700K, 3000K, 3500K, 4000K
Tunable White from 1800K - 4000K
Warm Dim from 1800 - 3000K

Beam 16, 32 and 41 degree beam spreads

Driver Integral and remote drivers for all dimming and non-dimming applications
Through-wire integral driver enclosure installed from below without the need for bulky housing
POE driver compatibility

Installation Not required when using the Driver Enclosure

Housing Optional: IC and Chicago plenum
Optional: new construction (with j-box and driver attached)
Optional: Landing pan for use with Driver Enclosure to locate cut-out locations

Warranty 5-year Limited (see complete company warranty information)

Certifications ETL and ETL-C for dry and damp location, CE, Wet Location rated



Recessed Plaster Trim



Recessed Bezel Trim

4" ProTools DL Adjustable Round Asymmetric Cone

| Model | Fixation | Power ^{1,2} | CRI/CCT ⁴ | Driver ⁵ | Cover | Lens | Beam | Finish ⁶ | Options |
|--------------|------------|--|---|------------------------------|-------|------------------|----------------|---------------------|----------------------|
| WG-100RPTDLA | RPT RBT | L M H XH TW WD ³ | 927 930 935 940 TW WD ³ | X S D010 PEQ0 TW | RAC | OA MPL RSC | 16 32 41 | W S ⁷ | LP CP IC WL |

Model

- WG-100RPTDLA = 4" ProTools DL Adjustable

Fixation

- RPT = Recessed Plaster Trim
- RBT = Recessed Bezel Trim

Power^{1,2}

- L = Low Power, 5.7W @ 350mA
- M = Mid Power, 8.4W @ 500mA
- H = High Power, 12W @ 700mA
- XH = Extra High Power, 17.8W @ 1050mA
- TW = 9W @ 500mA
- WD = 0.4 - 11.8W @ 350mA³

CRI/CCT⁴

- 90+ CRI (Low/Mid/High/Extra High)
- 927 = 2700K, (501/695/936/1311 lm)
- 930 = 3000K, (539/748/1007/1410 lm)
- 935 = 3500K, (539/748/1007/1410 lm)
- 940 = 4000K, (577/801/1078/1510 lm)
- TW = Tunable White 1800 - 4000K, (610 - 1060 lm)
- WD = Warm Dimming 1800 - 3000K, (31 - 1150 lm)³

Driver⁵

- X = Remote driver, ordered separately
- S = Standard non-dim driver, 120-277V
- D010 = EldoLED, 1%, 0-10V Driver, 120-277V
- PEQ0 = Lutron Hi-lume Premier 0.1% EcoSystem, SoftOn/FadeToBlack, 120-277V
- TW = EldoLED, 0.1%, DALI dimming (TW), 120-277V

Cover

- RAC = Round Asymmetric Cone

Lens

- OA = Open Aperture
- MPL = Micro-prismatic Lens
- RSC = Satin Clear

Beam

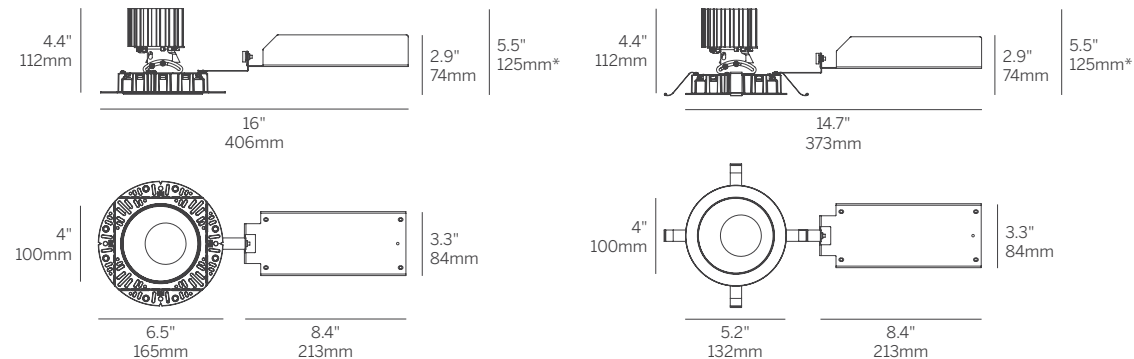
- 16 = 16° Beam Angle
- 32 = 32° Beam Angle
- 41 = 41° Beam Angle

Finish⁶

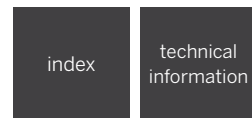
- W = White, 15% gloss, Tiger Drylac 49/11350 (standard)
- S = Silver, 15% gloss, Tiger Drylac49/90500⁷

Options

- ProTools downlights require no additional options kits for remodel & new construction
- LP = Landing Pan (specify for Acoustic Ceiling Tile installation)
 - CP = Chicago Plenum Housing
 - IC = IC/NC Housing
 - WL = Wet Location (not available with open aperture)



*Minimum of 5.5" (127mm) ceiling void is required to install the integral driver from below the ceiling.



Design Guide 106-109

Whitegoods reserves the right to change any information without prior notice.

Notes

- Other lumen packages available, consult factory.
- Wattage shown does not include power supplies/drivers. System wattage adds 10-20%.
- Delivered lumen data shown for WG-100RPTDLA...-RAC-OA-16-W. Refer to page 2 of specsheet for delivered lumen data for other product configurations.
- See power supply page for details.
- See Tiger Drylac color chart: inter-lux.com/tiger
- Plaster trim version includes white frame and silver cover.

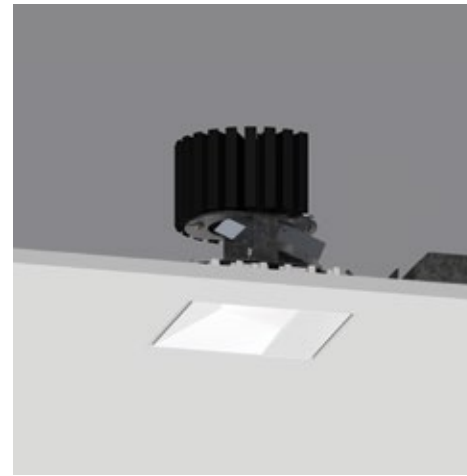


4" ProTools DL Wall Wash Square Wall Wash

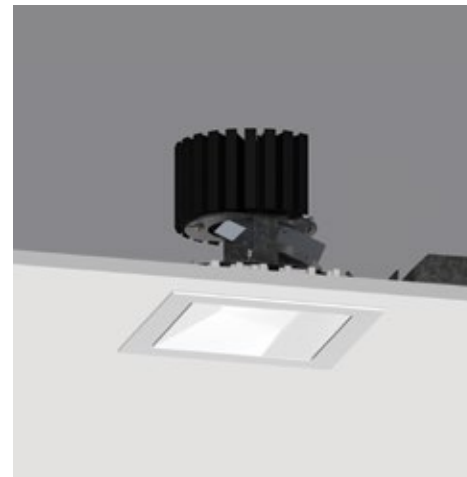
Dedicated Wall Wash Luminaire for Even Illumination of Vertical Surfaces

- 4" square downlight with 2" light aperture.
- 0.7" regressed aperture / lens providing asymmetric beam distribution optimized for even illumination of vertical surfaces.
- High-angle illumination.
- Luminaire and driver installed and maintained from below the ceiling.
- Mounts in 1/16" to 1" surface.
- Tunable White and Warm Dim.
- Modular interchangeability throughout the entire ProTools range of products.
- Wet Location as standard option (WL).

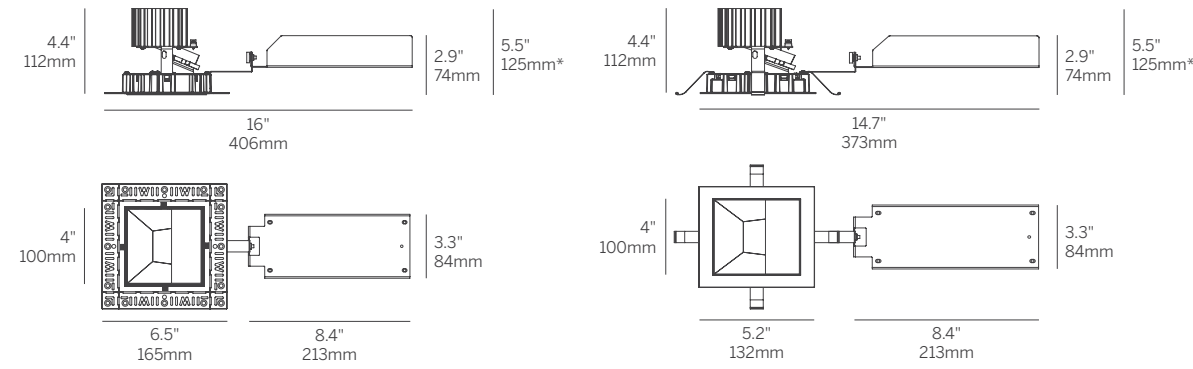
- Housing** Die-cast aluminum for precision fit and heat dissipation
Mounting hardware for all ceiling types; trim and trimless
EZ clip mounting for secure installation
Snap-in cover
Trimless housing with Quick-Snap feature allows endless multiple combinations without specialized housings
- Covers** Flush aperture with room-side cutoff and wall wash distribution
- LED** 90+ CRI
Low/Mid/High/Extra High output choices
2700K, 3000K, 3500K, 4000K
Tunable White from 1800K - 4000K
Warm Dim from 1800 - 3000K
- Beam** Satin spread lens (TIR Optic)
- Driver** Integral and remote drivers for all dimming and non-dimming applications
Through-wire integral driver enclosure installed from below without the need for bulky housing
POE driver compatibility
- Installation** Not required when using the Driver Enclosure
- Housing** Optional: IC and Chicago plenum
Optional: new construction (with j-box and driver attached)
Optional: Landing pan for use with Driver Enclosure to locate cut-out locations
- Warranty** 5-year Limited (see complete company warranty information)
- Certifications** ETL and ETL-C for dry and damp location, CE, Wet Location rated



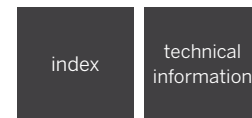
Recessed Plaster Trim



Recessed Bezel Trim



*Minimum of 5.5" (127mm) ceiling void is required to install the integral driver from below the ceiling.



Design Guide
114-117

4" ProTools DL Wall Wash Square Wall Wash

| Model | Fixation | Power ^{1,2} | CRI/CCT ⁴ | Driver ⁵ | Cover | Lens | Finish ⁶ | Options |
|---------------|------------|--|---|------------------------------|-------|------|---------------------|----------------------|
| WG-100SPTDLWW | RPT RBT | L M H XH TW WD ³ | 927 930 935 940 TW WD ³ | X S D010 PEQ0 TW | SWW | WWL | W S ⁷ | LP CP IC WL |

- Model**
- WG-100SPTDLWW = 4" ProTools DL Wall Wash
- Fixation**
- RPT = Recessed Plaster Trim
 - RBT = Recessed Bezel Trim
- Power^{1,2}**
- L = Low Power, 5.7W @ 350mA
 - M = Mid Power, 8.4W @ 500mA
 - H = High Power, 12W @ 700mA
 - XH = Extra High Power, 17.8W @ 1050mA
 - TW = 9W @ 500mA
 - WD = 0.4 - 11.8W @ 350mA³
- CRI/CCT⁴**
90+ CRI (Low/Mid/High/Extra High)
- 927 = 2700K, (322/446/600/841 lm)
 - 930 = 3000K, (346/480/646/905 lm)
 - 935 = 3500K, (346/480 / 646/905 lm)
 - 940 = 4000K, (371/514/692/969 lm)
 - TW = Tunable White 1800 - 4000K, (610 - 1060 lm)
 - WD = Warm Dimming 1800 - 3000K, (31 - 1150 lm)³
- Driver⁵**
- X = Remote driver, ordered separately
 - S = Standard non-dim driver, 120-277V
 - D010 = EldoLED, 1%, 0-10V Driver, 120-277V
 - PEQ0 = Lutron Hi-lume Premier 0.1% EcoSystem, SoftOn/FadeToBlack, 120-277V
 - TW = EldoLED, 0.1%, DALI dimming (TW), 120-277V

- Cover**
- SWW = Square Wall Wash
- Lens**
- WWL = Wall Wash Spread Lens
- Finish⁶**
- W = White, 15% gloss, Tiger Drylac 49/11350 (standard)
 - S = Silver, 15% gloss, Tiger Drylac49/90500⁷
- Options**
ProTools downlights require no additional options kits for remodel & new construction
- LP = Landing Pan (specify for Acoustic Ceiling Tile installation)
 - CP = Chicago Plenum Housing
 - IC = IC/NC Housing
 - WL = Wet Location

Whitegoods reserves the right to change any information without prior notice.

Notes

- 1 Other lumen packages available, consult factory.
- 2 Wattage shown does not include power supplies/drivers. System wattage adds 10-20%.
- 3 Delivered lumen data shown for WG-100SPTDLWW...-SWW-WWL-W. Refer to page 2 of specsheet for additional details.
- 4 See power supply page for details.
- 5 See Tiger Drylac color chart: inter-lux.com/tiger
- 6 Plaster trim version includes white frame and silver cover.



4" ProTools DL Wall Wash Round Wall Wash

Dedicated Wall Wash Luminaire for Even Illumination of Vertical Surfaces

- 4" round downlight with 2" light aperture.
- 0.7" regressed aperture / lens providing asymmetric beam distribution optimized for even illumination of vertical surfaces.
- High-angle illumination.
- Luminaire and driver installed and maintained from below the ceiling.
- Mounts in 1/16" to 1" surface.
- Tunable White and Warm Dim.
- Modular interchangeability throughout the entire ProTools range of products.
- Wet Location as standard option (WL).

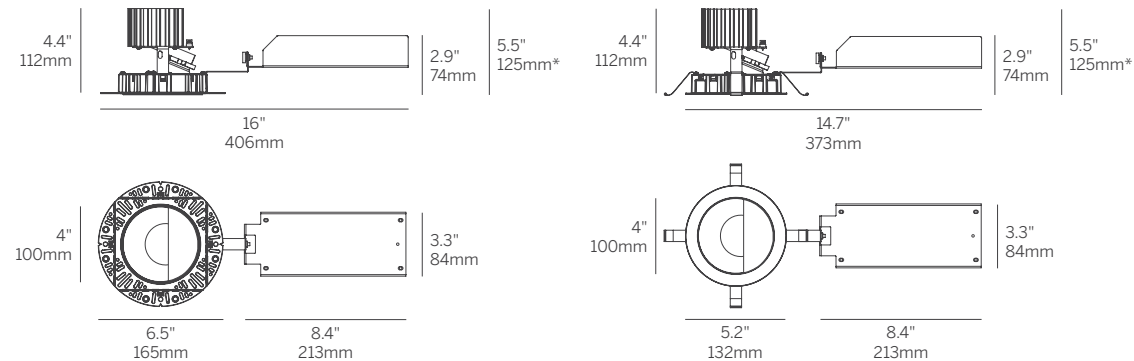
- Housing** Die-cast aluminum for precision fit and heat dissipation
Mounting hardware for all ceiling types; trim and trimless
EZ clip mounting for secure installation
Snap-in cover
Trimless housing with Quick-Snap feature allows endless multiple combinations without specialized housings
- Covers** Flush aperture with room-side cutoff and wall wash distribution
- LED** 90+ CRI
Low/Mid/High/Extra High output choices
2700K, 3000K, 3500K, 4000K
Tunable White from 1800K - 4000K
Warm Dim from 1800 - 3000K
- Beam** Satin spread lens (TIR Optic)
- Driver** Integral and remote drivers for all dimming and non-dimming applications
Through-wire integral driver enclosure installed from below without the need for bulky housing
POE driver compatibility
- Installation** Not required when using the Driver Enclosure
- Housing** Optional: IC and Chicago plenum
Optional: new construction (with j-box and driver attached)
Optional: Landing pan for use with Driver Enclosure to locate cut-out locations
- Warranty** 5-year Limited (see complete company warranty information)
- Certifications** ETL and ETL-C for dry and damp location, CE, Wet Location rated



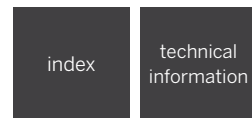
Recessed Plaster Trim



Recessed Bezel Trim



*Minimum of 5.5" (127mm) ceiling void is required to install the integral driver from below the ceiling.



Design Guide
114-117

4" ProTools DL Wall Wash Round Wall Wash

| Model | Fixation | Power ^{1,2} | CRI/CCT ⁴ | Driver ⁵ | Cover | Lens | Finish ⁶ | Options |
|---------------|------------|--|---|------------------------------|-------|------|---------------------|----------------------|
| WG-100RPTDLWW | RPT RBT | L M H XH TW WD ³ | 927 930 935 940 TW WD ³ | X S D010 PEQO TW | RWW | WWL | W S ⁷ | LP CP IC WL |

- Model**
- WG-100RPTDLWW = 4" ProTools DL Wall Wash
- Fixation**
- RPT = Recessed Plaster Trim
 - RBT = Recessed Bezel Trim
- Power^{1,2}**
- L = Low Power, 5.7W @ 350mA
 - M = Mid Power, 8.4W @ 500mA
 - H = High Power, 12W @ 700mA
 - XH = Extra High Power, 17.8W @ 1050mA
 - TW = 9W @ 500mA
 - WD = 0.4 - 11.8W @ 350mA³
- CRI/CCT⁴**
- 90+ CRI (Low/Mid/High/Extra High)
- 927 = 2700K, (267/371/499/699 lm)
 - 930 = 3000K, (288/399/537/752 lm)
 - 935 = 3500K, (288/399/537/752 lm)
 - 940 = 4000K, (308/427/575/806 lm)
 - TW = Tunable White 1800 - 4000K, (610 - 1060 lm)
 - WD = Warm Dimming 1800 - 3000K, (31 - 1150 lm)³
- Driver⁵**
- X = Remote driver, ordered separately
 - S = Standard non-dim driver, 120-277V
 - D010 = EldoLED, 1%, 0-10V Driver, 120-277V
 - PEQO = Lutron Hi-lume Premier 0.1% EcoSystem, SoftOn/FadeToBlack, 120-277V
 - TW = EldoLED, 0.1%, DALI dimming (TW), 120-277V

- Cover**
- RWW = Round Wall Wash
- Lens**
- WWL = Wall Wash Spread Lens
- Finish⁶**
- W = White, 15% gloss, Tiger Drylac 49/11350 (standard)
 - S = Silver, 15% gloss, Tiger Drylac49/90500⁷
- Options**
- ProTools downlights require no additional options kits for remodel & new construction
- LP = Landing Pan (specify for Acoustic Ceiling Tile installation)
 - CP = Chicago Plenum Housing
 - IC = IC/NC Housing
 - WL = Wet Location

Whitegoods reserves the right to change any information without prior notice.

Notes

- 1 Other lumen packages available, consult factory.
- 2 Wattage shown does not include power supplies/drivers. System wattage adds 10-20%.
- 3 Delivered lumen data shown for WG-100RPTDLWW-...-RWW-WWL-W. See Page 2 for specsheet for additional details.
- 4 See power supply page for details.
- 5 See Tiger Drylac color chart: inter-lux.com/tiger
- 6 Plaster trim version includes white frame and silver cover.



4" ProTools DLX Adjustable Square Recessed Cone

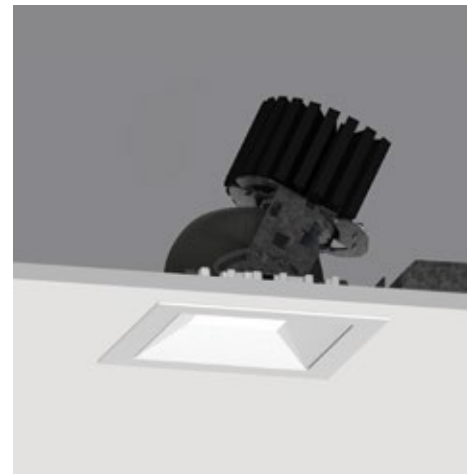
Full Featured With Accessory Holder And Ceiling Void Light Leak Hood

- 4" square downlight with 2" light aperture.
- Regressed aperture / lens position provides good glare control.
- Beam Angle: Various, Cut Off: 35°.
- Open aperture, clear lens or optical accessory lenses.
- No light leak or view into ceiling void from below due to a unique light leak hood.
- Luminaire and driver installed and maintained from below the ceiling.
- Mounts in 1/16" to 1" surface.
- Tunable White and Warm Dim.
- Modular interchangeability throughout the entire ProTools range of products.
- Tilt 45°, rotation 365°, 144 step.
- Wet Location option as standard (WL).

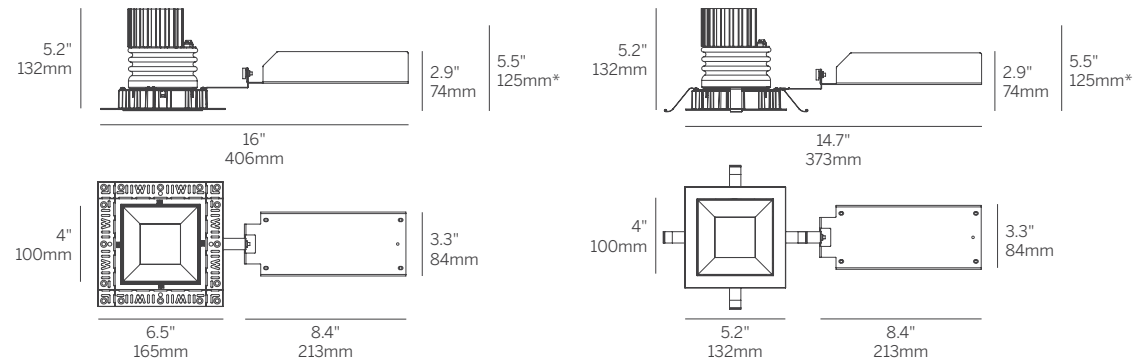
- Housing** Die-caste aluminum for precision fit and heat dissipation
Mounting hardware for all ceiling types; trim and trimless
EZ clip mounting for secure installation
Snap-in cover
Trimless housing with Quick-Snap feature allows endless multiple combinations without specialized housings
- Covers** Square recessed cone - low brightness, general illumination
- LED** 90+ CRI
Low/Mid/High/Extra High output choices
2700K, 3000K, 3500K, 4000K
Tunable White from 1800K - 4000K
Warm Dim from 1800 - 3000K
- Beam** 16, 32 and 41 degree beam spreads
- Driver** Integral and remote drivers for all dimming and non-dimming applications
Through-wire integral driver enclosure installed from below without the need for bulky housing
POE driver compatibility
- Installation** Not required when using the Driver Enclosure
- Housing** Optional: IC and Chicago plenum
Optional: new construction (with j-box and driver attached)
Optional: Landing pan for use with Driver Enclosure to locate cut-out locations
- Warranty** 5-year Limited (see complete company warranty information)
- Certifications** ETL and ETL-C for dry and damp location, CE, Wet Location rated



Recessed Plaster Trim



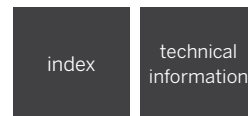
Recessed Bezel Trim



Plaster Trim

Bezel Trim

*Minimum of 5.5" (127mm) ceiling void is required to install the integral driver from below the ceiling.



Design Guide 106-109

4" ProTools DLX Adjustable Square Recessed Cone

| Model | Fixation | Power ^{1,2} | CRI/CCT ⁴ | Driver ⁵ | Cover | Lens | Beam | Finish ⁶ | Options |
|--------------|------------|--|---|------------------------------|-------|------------------|----------------|---------------------|----------------------|
| WG-100SPTDLX | RPT RBT | L M H XH TW WD ³ | 927 930 935 940 TW WD ³ | X S D010 PEQO TW | SRC | OA MPL RSC | 16 32 41 | W S ⁷ | LP CP IC WL |

- Model**
- WG-100SPTDLX = 4" ProTools DLX Adjustable

- Fixation**
- RPT = Recessed Plaster Trim
 - RBT = Recessed Bezel Trim

- Power^{1,2}**
- L = Low Power, 5.7W @ 350mA
 - M = Mid Power, 8.4W @ 500mA
 - H = High Power, 12W @ 700mA
 - XH = Extra High Power, 17.8W @ 1050mA
 - TW = 9W @ 500mA
 - WD = 0.4 - 11.8W @ 350mA³

- CRI/CCT⁴**
- 90+ CRI (Low/Mid/High/Extra High)
- 927 = 2700K, (552/766/1031/1445 lm)
 - 930 = 3000K, (594/824/1110/1555 lm)
 - 935 = 3500K, (594/824/1110/1555 lm)
 - 940 = 4000K, (636/883/1188/1664 lm)
 - TW = Tunable White 1800 - 4000K, (610-1060 lm)
 - WD = Warm Dimming 1800 - 3000K, (31 - 1150 lm)³

- Driver⁵**
- X = Remote driver, ordered separately
 - S = Standard non-dim driver, 120-277V
 - D010 = EldoLED, 1%, 0-10V Driver, 120-277V
 - PEQO = Lutron Hi-lume Premier 0.1% EcoSystem, SoftOn/FadeToBlack, 120-277V
 - TW = EldoLED, 0.1%, DALI dimming (TW), 120-277V

- Cover**
- SRC = Square Recessed Cone

- Lens**
- OA = Open Aperture
 - MPL = Micro-prismatic Lens
 - RSC = Satin Clear

- Beam**
- 16 = 16° Beam Angle
 - 32 = 32° Beam Angle
 - 41 = 41° Beam Angle

- Finish⁶**
- W = White, 15% gloss, Tiger Drylac 49/11350 (standard)
 - S = Silver, 15% gloss, Tiger Drylac49/90500⁷

- Options**
- ProTools downlights require no additional options kits for remodel & new construction
- LP = Landing Pan (specify for Acoustic Ceiling Tile installation)
 - CP = Chicago Plenum Housing
 - IC = IC/NC Housing
 - WL = Wet Location (not available with open aperture)

- Optical Accessory Holder**
- Up to 3 lenses and/or accessories can be added to the Optical Accessory Holder
- HX = Hex Louver
 - FG = Frosted Glass
 - LS = Linear Spread Lens
 - SOL = Solite Lens

Whitegoods reserves the right to change any information without prior notice.

Notes

- 1 Other lumen packages available, consult factory.
- 2 Wattage shown does not include power supplies/drivers. System wattage adds 10-20%.
- 3 Delivered lumen data shown for WG-100SPTDLX-...-SRC-OA-16-W. Refer to page 2 of specsheet for delivered lumen data for other product configurations. Source lumen data shown for TW and WD options.
- 4 See power supply page for details.
- 5 See Tiger Drylac color chart: inter-lux.com/tiger
- 6 Plaster trim version includes white frame and gray cover.



4" ProTools DLX Adjustable Square Recessed Cone - Narrow

Full Featured With Accessory Holder And Ceiling
Void Light Leak Hood

- 4" square downlight with 2" light aperture.
- Regressed aperture / lens position provides good glare control.
- 8 degree very narrow beam..
- Open aperture, clear lens or optical accessory lenses.
- No light leak or view into ceiling void from below due to a unique light leak hood.
- Luminaire and driver installed and maintained from below the ceiling.
- Mounts in 1/16" to 1" surface.
- Modular interchangeability throughout the entire ProTools range of products.
- Tilt 45°, rotation 365°, 144 step.
- Wet Location option as standard (WL).

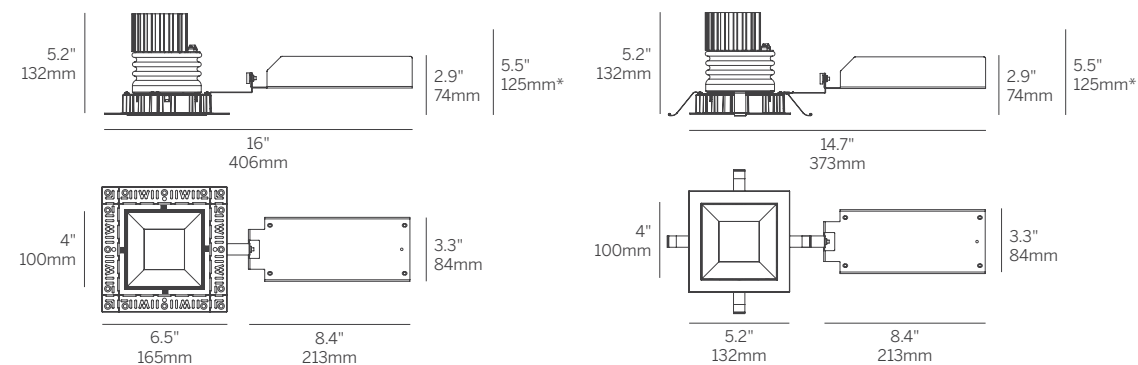
| | |
|-----------------------|--|
| Housing | Die-caste aluminum for precision fit and heat dissipation Mounting hardware for all ceiling types; trim and trimless EZ clip mounting for secure installation Snap-in cover Trimless housing with Quick-Snap feature allows endless multiple combinations without specialized housings |
| Covers | Square recessed cone - low brightness, general illumination |
| LED | 90+ CRI Low/Mid/High/Extra High output choices 2700K, 3000K, 3500K, 4000K |
| Beam | 8 degree beam spread (TIR Optic) |
| Driver | Integral and remote drivers for all dimming and non-dimming applications Through-wire integral driver enclosure installed from below without the need for bulky housing POE driver compatibility |
| Installation | Not required when using the Driver Enclosure |
| Housing | Optional: IC and Chicago plenum Optional: new construction (with j-box and driver attached) Optional: Landing pan for use with Driver Enclosure to locate cut-out locations |
| Warranty | 5-year Limited (see complete company warranty information) |
| Certifications | ETL and ETL-C for dry and damp location, CE, Wet Location rated |



Recessed Plaster Trim



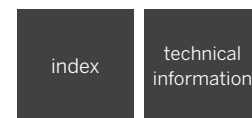
Recessed Bezel Trim



Plaster Trim

Bezel Trim

*Minimum of 5.5" (127mm) ceiling void is required to install the integral driver from below the ceiling.



Design Guide
106-109

4" ProTools DLX Adjustable Square Recessed Cone - Narrow

| Model | Fixation | Power ^{1,2} | CRI/ CCT ³ | Driver ⁴ | Cover | Lens | Beam | Finish ⁵ | Options |
|--------------|------------|----------------------|--------------------------|------------------------|-------|------------------|------------|---------------------|----------------------|
| WG-100SPTDLX | RPT RBT | L M H XH | 927 930 935 940 | X S D010 PEQ0 | SRC | OA MPL RSC | 8 (Narrow) | W S ⁶ | LP CP IC WL |

Model

- WG-100SPTDLX = 4" ProTools DLX Adjustable

Fixation

- RPT = Recessed Plaster Trim
- RBT = Recessed Bezel Trim

Power^{1,2}

- L = Low Power, 4W @ 350mA
- M = Mid Power, 5.8W @ 500mA
- H = High Power, 8.4W @ 700mA
- XH = Extra High Power, 13W @ 1050mA

CRI/CCT³

- 90+ CRI (Low/Mid/High/Extra High)
- 927 = 2700K, (360/480/630/850 lm)
- 930 = 3000K, (380/510/670/910 lm)
- 935 = 3500K, (380/510/670/910 lm)
- 940 = 4000K, (410/560/730/980 lm)

Driver⁴

- X = Remote driver, ordered separately
- S = Standard non-dim driver, 120-277V
- D010 = EldoLED, 1%, 0-10V Driver, 120-277V
- PEQ0 = Lutron Hi-lume Premier 0.1% EcoSystem, SoftOn/FadeToBlack, 120-277V

Cover

- SRC = Square Recessed Cone

Lens

- OA = Open Aperture
- MPL = Micro-prismatic Lens
- RSC = Satin Clear

Beam

- 8 = 8° Beam Angle (Narrow) (TIR Optic)

Finish⁵

- W = White, 15% gloss, Tiger Drylac 49/11350 (standard)
- S = Silver, 15% gloss, Tiger Drylac49/90500⁶

Options

ProTools downlights require no additional options kits for remodel & new construction

- LP = Landing Pan (specify for Acoustic Ceiling Tile installation)
- CP = Chicago Plenum Housing
- IC = IC/NC Housing
- WL = Wet Location (not available with open aperture)

Optical Accessory Holder

Up to 3 lenses and/or accessories can be added to the Optical Accessory Holder

- HX = Hex Louver
- FG = Frosted Glass
- LS = Linear Spread Lens
- SOL = Solite Lens

Whitegoods reserves the right to change any information without prior notice.

Notes

- Other lumen packages available, consult factory.
- Wattage shown does not include power supplies/drivers. System wattage adds 10-20%.
- Source lumens shown.
- See power supply page for details.
- See Tiger Drylac color chart: inter-lux.com/tiger
- Plaster trim version includes white frame and gray cover.

4" ProTools DLX Adjustable Square Recessed Cone - Adjustable Beam

Zoom Beam With Pan And Tilt Adjustment From
Regressed Source And Ceiling Void Light Leak Hood

- 4" square downlight with 2" light aperture.
- Regressed aperture / lens position provides good glare control.
- 13-48 degree zoom.
- Open aperture.
- No light leak or view into ceiling void from below due to a unique light leak hood.
- Luminaire and driver installed and maintained from below the ceiling.
- Mounts in 1/16" to 1" surface.
- Tunable White and Warm Dim.
- Modular interchangeability throughout the entire ProTools range of products.
- Tilt 45°, rotation 365°, 144 step.

Housing Die-cast aluminum for precision fit and heat dissipation
Mounting hardware for all ceiling types; trim and trimless
EZ clip mounting for secure installation
Snap-in cover
Trimless housing with Quick-Snap feature allows endless multiple combinations without specialized housings

Covers Square recessed cone - low brightness, general illumination

LED 90+ CRI
Low/Mid/High/Extra High output choices
2700K, 3000K, 3500K, 4000K
Tunable White from 1800K - 4000K
Warm Dim from 1800 - 3000K

Beam 13-48 degree beam spreads (TIR Optic)

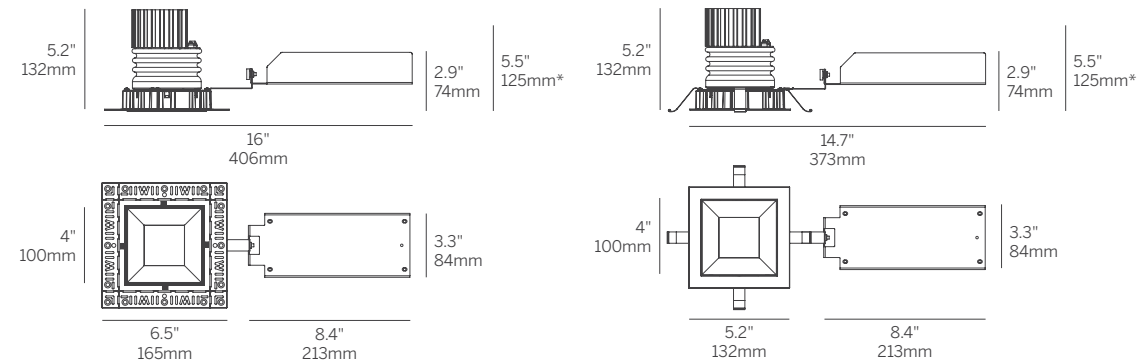
Driver Integral and remote drivers for all dimming and non-dimming applications
Through-wire integral driver enclosure installed from below without the need for bulky housing
POE driver compatibility

Installation Not required when using the Driver Enclosure

Housing Optional: IC and Chicago plenum
Optional: new construction (with j-box and driver attached)
Optional: Landing pan for use with Driver Enclosure to locate cut-out locations

Warranty 5-year Limited (see complete company warranty information)

Certifications ETL and ETL-C for dry and damp location, CE



Plaster Trim

Bezel Trim

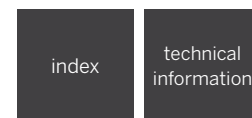


Recessed Plaster Trim



Recessed Bezel Trim

*Minimum of 5.5" (127mm) ceiling void is required to install the integral driver from below the ceiling.



Design Guide
106-109

4" ProTools DLX Adjustable Square Recessed Cone - Adjustable Beam

| Model | Fixation | Power ^{1,2} | CRI/ CCT ⁴ | Driver ⁵ | Cover | Lens | Beam | Finish ⁶ | Options |
|--------------|------------|--|---|------------------------------|-------|------|--------------|---------------------|----------------|
| WG-100SPTDLX | RPT RBT | L M H XH TW WD ³ | 927 930 935 940 TW WD ³ | X S D010 PEQO TW | SRC | OA | 13-48 (Zoom) | W S ⁷ | LP CP IC |

Model

- WG-100SPTDLX = 4" ProTools DLX Adjustable

Fixation

- RPT = Recessed Plaster Trim
- RBT = Recessed Bezel Trim

Power^{1,2}

- L = Low Power, 5.7W @ 350mA
- M = Mid Power, 8.4W @ 500mA
- H = High Power, 12W @ 700mA
- XH = Extra High Power, 17.8W @ 1050mA
- TW = 9W @ 500mA
- WD = 0.4 - 11.8W @ 350mA³

CRI/CCT⁴

- 90+ CRI (Low/Mid/High/Extra High)
- 927 = 2700K, (720/999/1344/1884 lm)
- 930 = 3000K, (775/1075/1447/2027 lm)
- 935 = 3500K, (775/1075/1447/2027 lm)
- 940 = 4000K, (830/1151/1549/2171 lm)
- TW = Tunable White 1800 - 4000K, (610 - 1060 lm)
- WD = Warm Dimming 1800 - 3000K, (31 - 1150 lm)³

Driver⁵

- X = Remote driver, ordered separately
- S = Standard non-dim driver, 120-277V
- D010 = EldoLED, 1%, 0-10V Driver, 120-277V
- PEQO = Lutron Hi-lume Premier 0.1% EcoSystem, SoftOn/FadeToBlack, 120-277V
- TW = EldoLED, 0.1%, DALI dimming (TW), 120-277V

Cover

- SRC = Square Recessed Cone

Lens

- OA = Open Aperture

Beam

- 13-48 = 13-48° Beam Angle (Zoom) (TIR Optic)

Finish⁶

- W = White, 15% gloss, Tiger Drylac 49/11350 (standard)
- S = Silver, 15% gloss, Tiger Drylac49/90500⁷

Options

ProTools downlights require no additional options kits for remodel & new construction

- LP = Landing Pan (specify for Acoustic Ceiling Tile installation)
- CP = Chicago Plenum Housing
- IC = IC/NC Housing

Whitegoods reserves the right to change any information without prior notice.

Notes

- Other lumen packages available, consult factory.
- Wattage shown does not include power supplies/drivers. System wattage adds 10-20%.
- Source lumens shown.
- See power supply page for details.
- See Tiger Drylac color chart: inter-lux.com/tiger
- Plaster trim version includes white frame and gray cover.

4" ProTools DLX Adjustable Round Recessed Cone

Full Featured With Accessory Holder And Ceiling Void Light Leak Hood

- 4" round downlight with 2" light aperture.
- Regressed aperture / lens position provides good glare control.
- Beam Angle: Various, Cut Off: 25°.
- Open aperture, clear lens or optical accessory lenses.
- No light leak or view into ceiling void from below due to a unique light leak hood.
- Luminaire and driver installed and maintained from below the ceiling.
- Mounts in 1/16" to 1" surface.
- Tunable White and Warm Dim.
- Modular interchangeability throughout the entire ProTools range of products.
- Tilt 45°, rotation 365°, 144 step.
- Wet Location option as standard (WL).

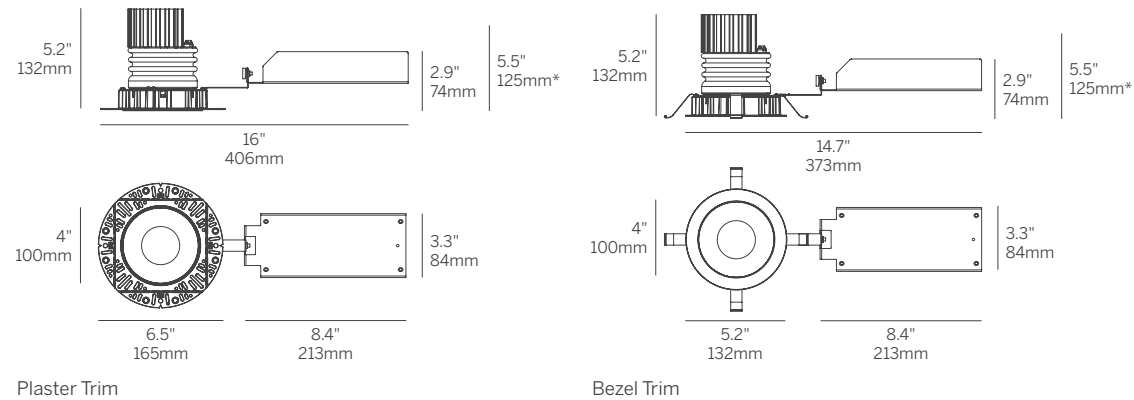
- Housing** Die-cast aluminum for precision fit and heat dissipation
Mounting hardware for all ceiling types; trim and trimless
EZ clip mounting for secure installation
Snap-in cover
Trimless housing with Quick-Snap feature allows endless multiple combinations without specialized housings
- Covers** Round recessed cone - low brightness, general illumination
- LED** 90+ CRI
Low/Mid/High/Extra High output choices
2700K, 3000K, 3500K, 4000K
Tunable White from 1800K - 4000K
Warm Dim from 1800 - 3000K
- Beam** 16, 32 and 41 degree beam spreads
- Driver** Integral and remote drivers for all dimming and non-dimming applications
Through-wire integral driver enclosure installed from below without the need for bulky housing
POE driver compatibility
- Installation** Not required when using the Driver Enclosure
- Housing** Optional: IC and Chicago plenum
Optional: new construction (with j-box and driver attached)
Optional: Landing pan for use with Driver Enclosure to locate cut-out locations
- Warranty** 5-year Limited (see complete company warranty information)
- Certifications** ETL and ETL-C for dry and damp location, CE, Wet Location rated



Recessed Plaster Trim



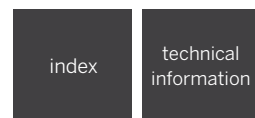
Recessed Bezel Trim



Plaster Trim

Bezel Trim

*Minimum of 5.5" (127mm) ceiling void is required to install the integral driver from below the ceiling.



Design Guide
106-109

4" ProTools DLX Adjustable Round Recessed Cone

| Model | Fixation | Power ^{1,2} | CRI/ CCT ⁴ | Driver ⁵ | Cover | Lens | Beam | Finish ⁶ | Options |
|--------------|------------|--|---|------------------------------|-------|------------------|----------------|---------------------|----------------------|
| WG-100RPTDLX | RPT RBT | L M H XH TW WD ³ | 927 930 935 940 TW WD ³ | X S D010 PEQO TW | RRC | OA MPL RSC | 16 32 41 | W S ⁷ | LP CP IC WL |

Model

- WG-100RPTDLX = 4" ProTools DLX Adjustable

Fixation

- RPT = Recessed Plaster Trim
- RBT = Recessed Bezel Trim

Power^{1,2}

- L = Low Power, 5.7W @ 350mA
- M = Mid Power, 8.4W @ 500mA
- H = High Power, 12W @ 700mA
- XH = Extra High Power, 17.8W @ 1050mA
- TW = 9W @ 500mA
- WD = 0.4 - 11.8W @ 350mA³

CRI/CCT⁴

- 90+ CRI (Low/Mid/High/Extra High)
- 927 = 2700K, (492/683/919/1287 lm)
- 930 = 3000K, (529/734/989/1385 lm)
- 935 = 3500K, (529/734/989/1385 lm)
- 940 = 4000K, (567/786/1058/1483 lm)
- TW = Tunable White 1800 - 4000K, (610 - 1060 lm)
- WD = Warm Dimming 1800 - 3000K, (31 - 1150 lm)³

Driver⁵

- X = Remote driver, ordered separately
- S = Standard non-dim driver, 120-277V
- D010 = EldoLED, 1%, 0-10V Driver, 120-277V
- PEQO = Lutron Hi-lume Premier 0.1% EcoSystem, SoftOn/FadeToBlack, 120-277V
- TW = EldoLED, 0.1%, DALI dimming (TW), 120-277V

Cover

- RRC = Round Recessed Cone

Lens

- OA = Open Aperture
- MPL = Micro-prismatic Lens
- RSC = Satin Clear

Beam

- 16 = 16° Beam Angle
- 32 = 32° Beam Angle
- 41 = 41° Beam Angle

Finish⁶

- W = White, 15% gloss, Tiger Drylac 49/11350 (standard)
- S = Silver, 15% gloss, Tiger Drylac49/90500⁷

Options

ProTools downlights require no additional options kits for remodel & new construction

- LP = Landing Pan (specify for Acoustic Ceiling Tile installation)
- CP = Chicago Plenum Housing
- IC = IC/NC Housing
- WL = Wet Location (not available with open aperture)

Optical Accessory Holder

Up to 3 lenses and/or accessories can be added to the Optical Accessory Holder

- HX = Hex Louver
- FG = Frosted Glass
- LS = Linear Spread Lens
- SOL = Solite Lens

Whitegoods reserves the right to change any information without prior notice.

Notes

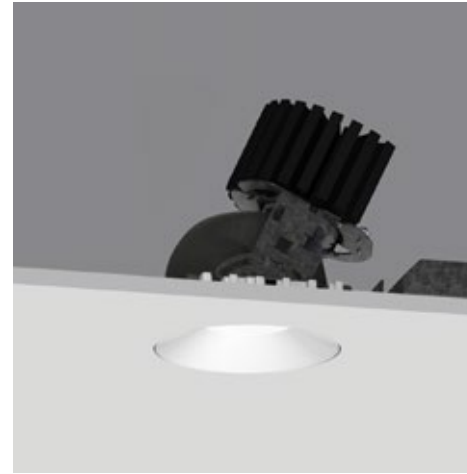
- Other lumen packages available, consult factory.
- Wattage shown does not include power supplies/drivers. System wattage adds 10-20%.
- Delivered lumen data shown for WG-100RPTDLX...-RRC-OA-16-W. Refer to page 2 of specsheet for delivered lumen data for other product configurations. Source lumen data shown for TW and WD options.
- See power supply page for details.
- See Tiger Drylac color chart: inter-lux.com/tiger
- Plaster trim version includes white frame and gray cover.

4" ProTools DLX Adjustable Round Recessed Cone - Narrow

Full Featured With Accessory Holder And Ceiling
Void Light Leak Hood

- 4" round downlight with 2" light aperture.
- Regressed aperture / lens position provides good glare control.
- 8 degree very narrow beam.
- Open aperture, clear lens or optical accessory lenses.
- No light leak or view into ceiling void from below due to a unique light leak hood.
- Luminaire and driver installed and maintained from below the ceiling.
- Mounts in 1/16" to 1" surface.
- Modular interchangeability throughout the entire ProTools range of products.
- Tilt 45°, rotation 365°, 144 step.
- Wet Location option as standard (WL).

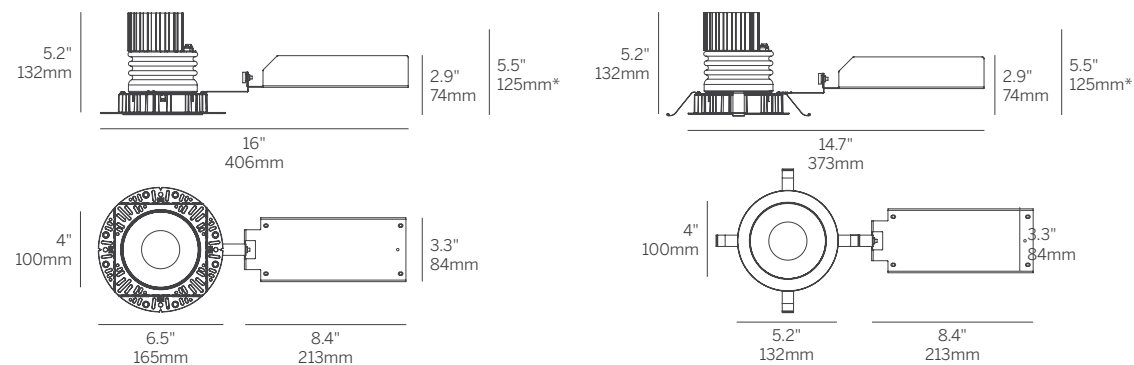
| | |
|-----------------------|--|
| Housing | Die-caste aluminum for precision fit and heat dissipation Mounting hardware for all ceiling types; trim and trimless EZ clip mounting for secure installation Snap-in cover Trimless housing with Quick-Snap feature allows endless multiple combinations without specialized housings |
| Covers | Round recessed cone - low brightness, general illumination |
| LED | 90+ CRI Low/Mid/High/Extra High output choices 2700K, 3000K, 3500K, 4000K |
| Beam | 8 degree beam spread (TIR Optic) |
| Driver | Integral and remote drivers for all dimming and non-dimming applications Through-wire integral driver enclosure installed from below without the need for bulky housing POE driver compatibility |
| Installation | Not required when using the Driver Enclosure |
| Housing | Optional: IC and Chicago plenum Optional: new construction (with j-box and driver attached) Optional: Landing pan for use with Driver Enclosure to locate cut-out locations |
| Warranty | 5-year Limited (see complete company warranty information) |
| Certifications | ETL and ETL-C for dry and damp location, CE, Wet Location rated |



Recessed Plaster Trim



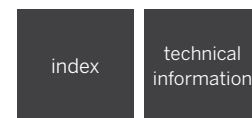
Recessed Bezel Trim



Plaster Trim

Bezel Trim

*Minimum of 5.5" (127mm) ceiling void is required to install the integral driver from below the ceiling.



Design Guide
106-109

4" ProTools DLX Adjustable Round Recessed Cone - Narrow

| Model | Fixation | Power ^{1,2} | CRI/ CCT ³ | Driver ⁴ | Cover | Lens | Beam | Finish ⁵ | Options |
|--------------|------------|----------------------|--------------------------|------------------------|-------|------------------|------------|---------------------|----------------------|
| WG-100RPTDLX | RPT RBT | L M H XH | 927 930 935 940 | X S D010 PEQ0 | RRC | OA MPL RSC | 8 (Narrow) | W S ⁶ | LP CP IC WL |

Model

- WG-100RPTDLX = 4" ProTools DLX Adjustable

Fixation

- RPT = Recessed Plaster Trim
- RBT = Recessed Bezel Trim

Power^{1,2}

- L = Low Power, 4W @ 350mA
- M = Mid Power, 5.8W @ 500mA
- H = High Power, 8.4W @ 700mA
- XH = Extra High Power, 13W @ 1050mA

CRI/CCT³

- 90+ CRI (Low/Mid/High/Extra High)
- 927 = 2700K, (360/480/630/850 lm)
- 930 = 3000K, (380/510/670/910 lm)
- 935 = 3500K, (380/510/670/910 lm)
- 940 = 4000K, (410/560/730/980 lm)

Driver⁴

- X = Remote driver, ordered separately
- S = Standard non-dim driver, 120-277V
- D010 = EldoLED, 1%, 0-10V Driver, 120-277V
- PEQ0 = Lutron Hi-lume Premier 0.1% EcoSystem, SoftOn/FadeToBlack, 120-277V

Cover

- RRC = Round Recessed Cone

Lens

- OA = Open Aperture
- MPL = Micro-prismatic Lens
- RSC = Satin Clear

Beam

- 8 = 8° Beam Angle (Narrow) (TIR Optic)

Finish⁵

- W = White, 15% gloss, Tiger Drylac 49/11350 (standard)
- S = Silver, 15% gloss, Tiger Drylac49/90500⁶

Options

ProTools downlights require no additional options kits for remodel & new construction

- LP = Landing Pan (specify for Acoustic Ceiling Tile installation)
- CP = Chicago Plenum Housing
- IC = IC/NC Housing
- WL = Wet Location (not available with open aperture)

Optical Accessory Holder

Up to 3 lenses and/or accessories can be added to the Optical Accessory Holder

- HX = Hex Louver
- FG = Frosted Glass
- LS = Linear Spread Lens
- SOL = Solite Lens

Whitegoods reserves the right to change any information without prior notice.

Notes

- Other lumen packages available, consult factory.
- Wattage shown does not include power supplies/drivers. System wattage adds 10-20%.
- Source lumens shown.
- See power supply page for details.
- See Tiger Drylac color chart: inter-lux.com/tiger
- Plaster trim version includes white frame and gray cover.

4" ProTools DLX Adjustable Round Recessed Cone - Adjustable Beam

Full Featured With Accessory Holder And Ceiling Void Light Leak Hood

- 4" round downlight with 2" light aperture.
- Regressed aperture / lens position provides good glare control.
- 13-48 degree zoom.
- Open aperture.
- No light leak or view into ceiling void from below due to a unique light leak hood.
- Luminaire and driver installed and maintained from below the ceiling.
- Mounts in 1/16" to 1" surface.
- Tunable White and Warm Dim.
- Modular interchangeability throughout the entire ProTools range of products.
- Tilt 45°, rotation 365°, 144 step.

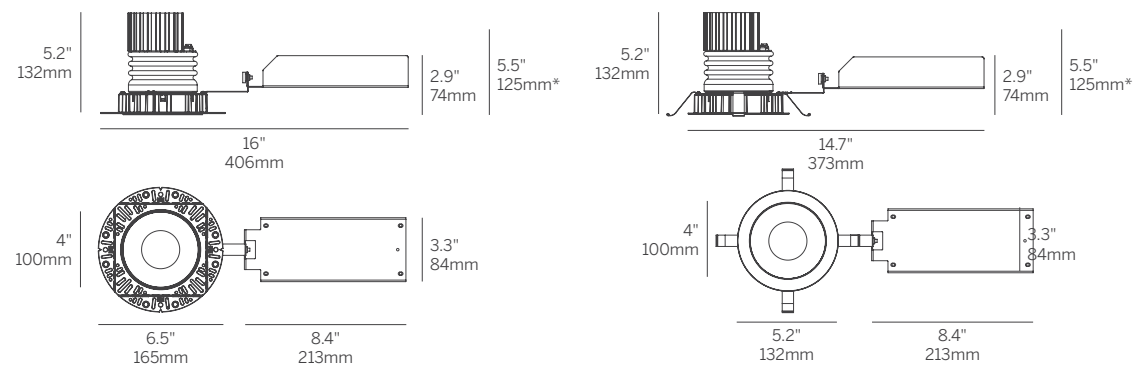
- Housing** Die-caste aluminum for precision fit and heat dissipation
Mounting hardware for all ceiling types; trim and trimless
EZ clip mounting for secure installation
Snap-in cover
Trimless housing with Quick-Snap feature allows endless multiple combinations without specialized housings
- Covers** Round recessed cone - low brightness, general illumination
- LED** 90+ CRI
Low/Mid/High/Extra High output choices
2700K, 3000K, 3500K, 4000K
Tunable White from 1800K - 4000K
Warm Dim from 1800 - 3000K
- Beam** 13-48 degree beam spreads (TIR Optic)
- Driver** Integral and remote drivers for all dimming and non-dimming applications
Through-wire integral driver enclosure installed from below without the need for bulky housing
POE driver compatibility
- Installation** Not required when using the Driver Enclosure
- Housing** Optional: IC and Chicago plenum
Optional: new construction (with j-box and driver attached)
Optional: Landing pan for use with Driver Enclosure to locate cut-out locations
- Warranty** 5-year Limited (see complete company warranty information)
- Certifications** ETL and ETL-C for dry and damp location, CE



Recessed Plaster Trim



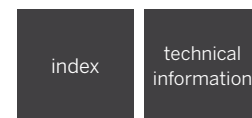
Recessed Bezel Trim



Plaster Trim

Bezel Trim

*Minimum of 5.5" (127mm) ceiling void is required to install the integral driver from below the ceiling.



Design Guide
106-109

4" ProTools DLX Adjustable Round Recessed Cone - Adjustable Beam

| Model | Fixation | Power ^{1,2} | CRI/ CCT ⁴ | Driver ⁵ | Cover | Lens | Beam | Finish ⁶ | Options |
|--------------|------------|--------------------------------|---|------------------------------|-------|------|--------------|---------------------|----------------|
| WG-100RPTDLX | RPT RBT | L M H XH TW WD3 | 927 930 935 940 TW WD ³ | X S D010 PEQO TW | RRC | OA | 13-48 (Zoom) | W S ⁷ | LP CP IC |

- Model**
- WG-100RPTDLX = 4" ProTools DLX Adjustable
- Fixation**
- RPT = Recessed Plaster Trim
 - RBT = Recessed Bezel Trim
- Power^{1,2}**
- L = Low Power, 5.7W @ 350mA
 - M = Mid Power, 8.4W @ 500mA
 - H = High Power, 12W @ 700mA
 - XH = Extra High Power, 17.8W @ 1050mA
 - TW = 9W @ 500mA
 - WD = 0.4 - 11.8W @ 350mA³
- CRI/CCT⁴**
- 90+ CRI (Low/Mid/High/Extra High)
- 927 = 2700K, (720/999/1344/1884 lm)
 - 930 = 3000K, (775/1075/1447/2027 lm)
 - 935 = 3500K, (775/1075/1447/2027 lm)
 - 940 = 4000K, (830/1151/1549/2171 lm)
 - TW = Tunable White 1800 - 4000K, (610 - 1060 lm)
 - WD = Warm Dimming 1800 - 3000K, (31 - 1150 lm)³
- Driver⁵**
- X = Remote driver, ordered separately
 - S = Standard non-dim driver, 120-277V
 - D010 = EldoLED, 1%, 0-10V Driver, 120-277V
 - PEQO = Lutron Hi-lume Premier 0.1% EcoSystem, SoftOn/FadeToBlack, 120-277V
 - TW = EldoLED, 0.1%, DALI dimming (TW), 120-277V

- Cover**
- RRC = Round Recessed Cone
- Lens**
- OA = Open Aperture
- Beam**
- 13-48 = 13-48° Beam Angle (Zoom) (TIR Optic)
- Finish⁶**
- W = White, 15% gloss, Tiger Drylac 49/11350 (standard)
 - S = Silver, 15% gloss, Tiger Drylac49/90500⁷
- Options**
- ProTools downlights require no additional options kits for remodel & new construction
- LP = Landing Pan (specify for Acoustic Ceiling Tile installation)
 - CP = Chicago Plenum Housing
 - IC = IC/NC Housing

Whitegoods reserves the right to change any information without prior notice.

Notes

- 1 Other lumen packages available, consult factory.
- 2 Wattage shown does not include power supplies/drivers. System wattage adds 10-20%.
- 3 Source lumens shown..
- 4 See power supply page for details.
- 5 See Tiger Drylac color chart: inter-lux.com/tiger
- 5 Plaster trim version includes white frame and gray cover.

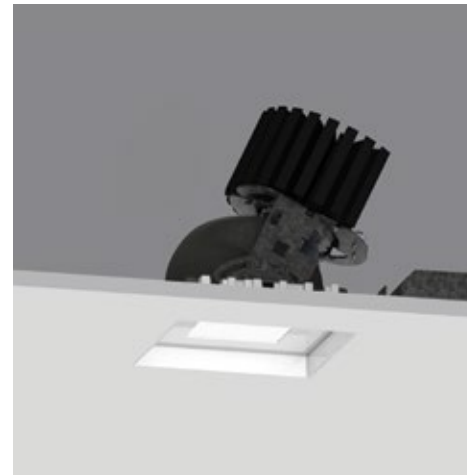


4" ProTools DLX Adjustable Square Regressed Pinhole

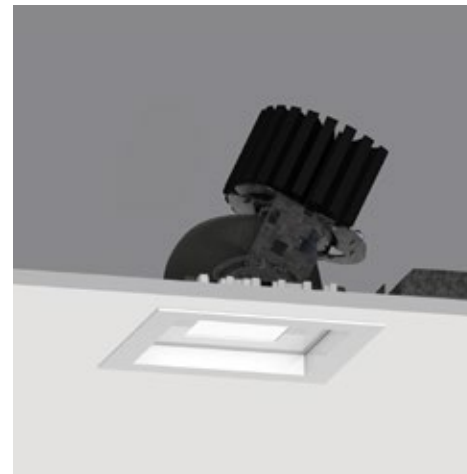
Full Featured With Accessory Holder And Ceiling Void Light Leak Hood

- 4" square downlight with 2" light aperture.
- Regressed aperture / lens position provides good glare control.
- Beam Angle: Various, Cut Off: 35°.
- Open aperture, clear lens or optical accessory lenses.
- No light leak or view into ceiling void from below due to a unique light leak hood.
- Luminaire and driver installed and maintained from below the ceiling.
- Mounts in 1/16" to 1" surface.
- Tunable White and Warm Dim.
- Modular interchangeability throughout the entire ProTools range of products.
- Tilt 45°, rotation 365°, 144 step.

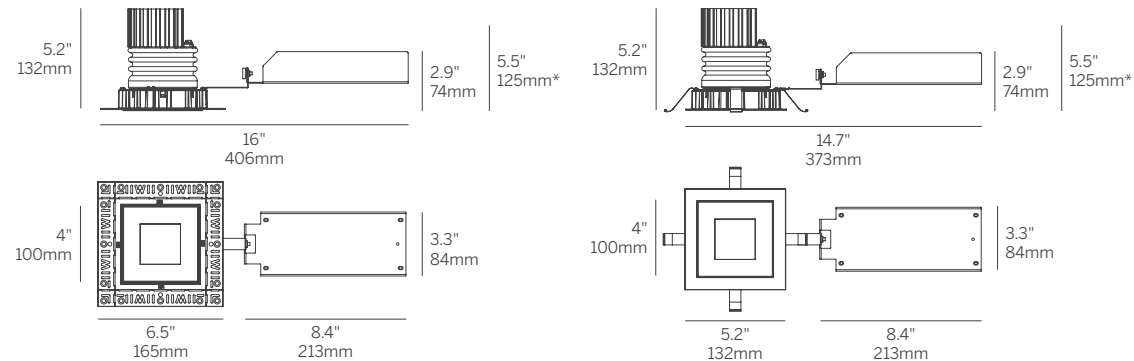
- Housing** Die-caste aluminum for precision fit and heat dissipation
Mounting hardware for all ceiling types; trim and trimless
EZ clip mounting for secure installation
Snap-in cover
Trimless housing with Quick-Snap feature allows endless multiple combinations without specialized housings
- Covers** Square regressed pinhole - smallest aperture, maximum glare control
- LED** 90+ CRI
Low/Mid/High/Extra High output choices
2700K, 3000K, 3500K, 4000K
Tunable White from 1800K - 4000K
Warm Dim from 1800 - 3000K
- Beam** 16, 32 and 41 degree beam spreads
- Driver** Integral and remote drivers for all dimming and non-dimming applications
Through-wire integral driver enclosure installed from below without the need for bulky housing
POE driver compatibility
- Installation** Not required when using the Driver Enclosure
- Housing** Optional: IC and Chicago plenum
Optional: new construction (with j-box and driver attached)
Optional: Landing pan for use with Driver Enclosure to locate cut-out locations
- Warranty** 5-year Limited (see complete company warranty information)
- Certifications** ETL and ETL-C for dry and damp location, CE



Recessed Plaster Trim

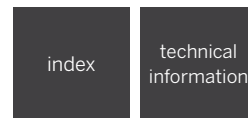


Recessed Bezel Trim



Plaster Trim Bezel Trim

*Minimum of 5.5" (127mm) ceiling void is required to install the integral driver from below the ceiling.



Design Guide 106-109

4" ProTools DLX Adjustable Square Regressed Pinhole

| Model | Fixation | Power ^{1,2} | CRI/CCT ⁴ | Driver ⁵ | Cover | Lens | Beam | Finish ⁶ | Options |
|--------------|------------|--|---|------------------------------|-------|------------------|----------------|---------------------|----------------|
| WG-100SPTDLX | RPT RBT | L M H XH TW WD ³ | 927 930 935 940 TW WD ³ | X S D010 PEQO TW | SRP | OA MPL RSC | 16 32 41 | W S ⁷ | LP CP IC |

- Model**
- WG-100SPTDLX = 4" ProTools DLX Adjustable
- Fixation**
- RPT = Recessed Plaster Trim
 - RBT = Recessed Bezel Trim
- Power^{1,2}**
- L = Low Power, 5.7W @ 350mA
 - M = Mid Power, 8.4W @ 500mA
 - H = High Power, 12W @ 700mA
 - XH = Extra High Power, 17.8W @ 1050mA
 - TW = 9W @ 500mA
 - WD = 0.4 - 11.8W @ 350mA³
- CRI/CCT⁴**
- 90+ CRI (Low/Mid/High/Extra High)
- 927 = 2700K, (494/686/923/1293 lm)
 - 930 = 3000K, (532/738/993/1391 lm)
 - 935 = 3500K, (532/738/993/1391 lm)
 - 940 = 4000K, (569/790/1063/1489 lm)
 - TW = Tunable White 1800 - 4000K, (610 - 1060 lm)
 - WD = Warm Dimming 1800 - 3000K, (31 - 1150 lm)³
- Driver⁵**
- X = Remote driver, ordered separately
 - S = Standard non-dim driver, 120-277V
 - D010 = EldoLED, 1%, 0-10V Driver, 120-277V
 - PEQO = Lutron Hi-lume Premier 0.1% EcoSystem, SoftOn/FadeToBlack, 120-277V
 - TW = EldoLED, 0.1%, DALI dimming (TW), 120-277V
- Cover**
- SRP = Square Regressed Pinhole
- Lens**
- OA = Open Aperture
 - MPL = Micro-prismatic Lens
 - RSC = Satin Clear
- Beam**
- 16 = 16° Beam Angle
 - 32 = 32° Beam Angle
 - 41 = 41° Beam Angle
- Finish⁶**
- W = White, 15% gloss, Tiger Drylac 49/11350 (standard)
 - S = Silver, 15% gloss, Tiger Drylac49/90500⁷
- Options**
- ProTools downlights require no additional options kits for remodel & new construction
- LP = Landing Pan (specify for Acoustic Ceiling Tile installation)
 - CP = Chicago Plenum Housing
 - IC = IC/NC Housing
- Optical Accessory Holder**
- Up to 3 lenses and/or accessories can be added to the Optical Accessory Holder
- HX = Hex Louver
 - FG = Frosted Glass
 - LS = Linear Spread Lens
 - SOL = Solite Lens

Whitegoods reserves the right to change any information without prior notice.

Notes

- 1 Other lumen packages available, consult factory.
- 2 Wattage shown does not include power supplies/drivers. System wattage adds 10-20%.
- 3 Delivered lumen data shown for WG-100SPTDLX-...-SRP-OA-16-W. Refer to page 2 of specsheet for delivered lumen datafor other product configurations. Source lumen data shown for TW and WD options.
- 4 See power supply page for details.
- 5 See Tiger Drylac color chart: inter-lux.com/tiger
- 5 Plaster trim version includes white frame and gray cover.

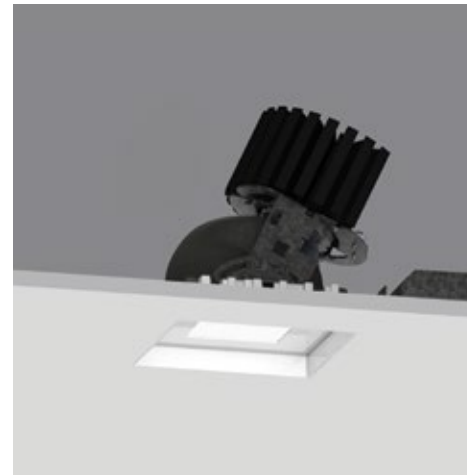


4" ProTools DLX Adjustable Square Regressed Pinhole - Narrow

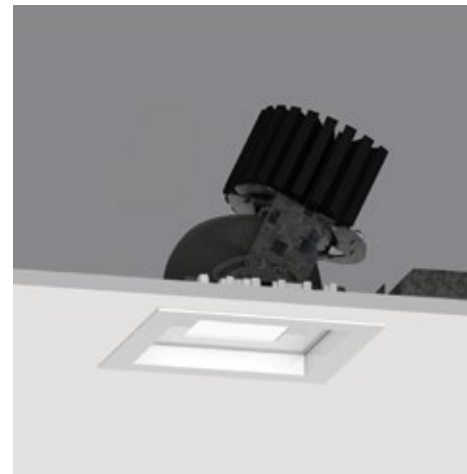
Full Featured With Accessory Holder And Ceiling Void Light Leak Hood

- 4" square downlight with 2" light aperture.
- Regressed aperture / lens position provides good glare control.
- 8 degree very narrow beam.
- Open aperture, clear lens or optical accessory lenses.
- No light leak or view into ceiling void from below due to a unique light leak hood.
- Luminaire and driver installed and maintained from below the ceiling.
- Mounts in 1/16" to 1" surface.
- Modular interchangeability throughout the entire ProTools range of products.
- Tilt 45°, rotation 365°, 144 step.

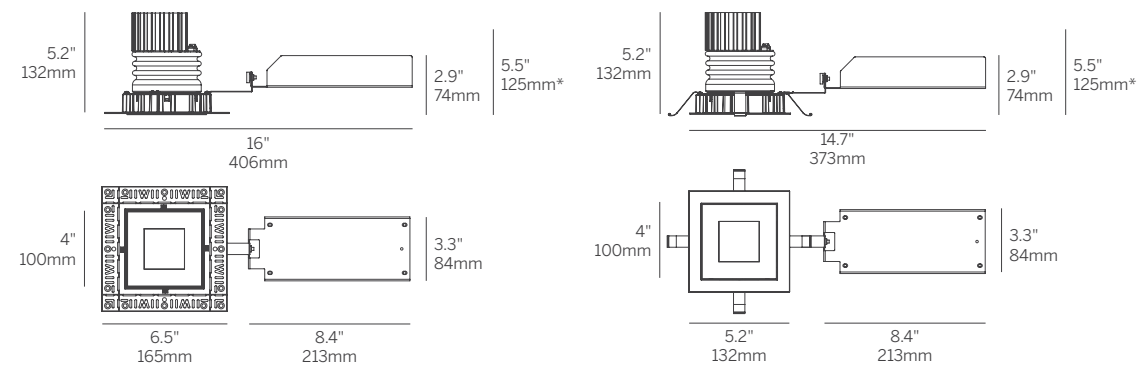
- Housing** Die-caste aluminum for precision fit and heat dissipation
Mounting hardware for all ceiling types; trim and trimless
EZ clip mounting for secure installation
Snap-in cover
Trimless housing with Quick-Snap feature allows endless multiple combinations without specialized housings
- Covers** Square regressed pinhole - smallest aperture, maximum glare control
- LED** 90+ CRI
Low/Mid/High/Extra High output choices
2700K, 3000K, 3500K, 4000K
- Beam** 8 degree beam spread (TIR Optic)
- Driver** Integral and remote drivers for all dimming and non-dimming applications
Through-wire integral driver enclosure installed from below without the need for bulky housing
POE driver compatibility
- Installation** Not required when using the Driver Enclosure
- Housing** Optional: IC and Chicago plenum
Optional: new construction (with j-box and driver attached)
Optional: Landing pan for use with Driver Enclosure to locate cut-out locations
- Warranty** 5-year Limited (see complete company warranty information)
- Certifications** ETL and ETL-C for dry and damp location, CE



Recessed Plaster Trim



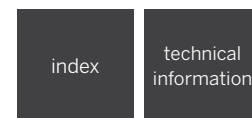
Recessed Bezel Trim



Plaster Trim

Bezel Trim

*Minimum of 5.5" (127mm) ceiling void is required to install the integral driver from below the ceiling.



Design Guide
106-109

4" ProTools DLX Adjustable Square Regressed Pinhole - Narrow

| Model | Fixation | Power ^{1,2} | CRI/ CCT ³ | Driver ⁴ | Cover | Lens | Beam | Finish ⁵ | Options |
|--------------|------------|----------------------|--------------------------|------------------------|-------|------------------|------------|---------------------|----------------|
| WG-100SPTDLX | RPT RBT | L M H XH | 927 930 935 940 | X S D010 PEQ0 | SRP | OA MPL RSC | 8 (Narrow) | W S ⁶ | LP CP IC |

- Model**
- WG-100SPTDLX = 4" ProTools DLX Adjustable
- Fixation**
- RPT = Recessed Plaster Trim
 - RBT = Recessed Bezel Trim
- Power^{1,2}**
- L = Low Power, 4W @ 350mA
 - M = Mid Power, 5.8W @ 500mA
 - H = High Power, 8.4W @ 700mA
 - XH = Extra High Power, 13W @ 1050mA
- CRI/CCT³**
- 90+ CRI (Low/Mid/High/Extra High)
- 927 = 2700K, (360/480/630/850 lm)
 - 930 = 3000K, (380/510/670/910 lm)
 - 935 = 3500K, (380/510/670/910 lm)
 - 940 = 4000K, (410/560/730/980 lm)
- Driver⁴**
- X = Remote driver, ordered separately
 - S = Standard non-dim driver, 120-277V
 - D010 = EldoLED, 1%, 0-10V Driver, 120-277V
 - PEQ0 = Lutron Hi-lume Premier 0.1% EcoSystem, SoftOn/FadeToBlack, 120-277V
- Cover**
- SRP = Square Recessed Pinhole
- Lens**
- OA = Open Aperture
 - MPL = Micro-prismatic Lens
 - RSC = Satin Clear
- Beam**
- 8 = 8° Beam Angle (Narrow) (TIR Optic)
- Finish⁵**
- W = White, 15% gloss, Tiger Drylac 49/11350 (standard)
 - S = Silver, 15% gloss, Tiger Drylac49/90500⁶
- Options**
- ProTools downlights require no additional options kits for remodel & new construction
- LP = Landing Pan (specify for Acoustic Ceiling Tile installation)
 - CP = Chicago Plenum Housing
 - IC = IC/NC Housing
- Optical Accessory Holder**
- Up to 3 lenses and/or accessories can be added to the Optical Accessory Holder
- HX = Hex Louver
 - FG = Frosted Glass
 - LS = Linear Spread Lens
 - SOL = Solite Lens

Whitegoods reserves the right to change any information without prior notice.

Notes

- 1 Other lumen packages available, consult factory.
- 2 Wattage shown does not include power supplies/drivers. System wattage adds 10-20%.
- 3 Source lumens shown.
- 4 See power supply page for details.
- 5 See Tiger Drylac color chart: inter-lux.com/tiger
- 5 Plaster trim version includes white frame and gray cover.



4" ProTools DLX Adjustable Square Regressed Pinhole - Adjustable Beam

Zoom Beam With Pan And Tilt Adjustment From
Regressed Source And Ceiling Void Light Leak Hood

- 4" square downlight with 2" light aperture.
- Regressed aperture / lens position provides good glare control.
- 13-48 degree zoom.
- Open aperture.
- No light leak or view into ceiling void from below due to a unique light leak hood.
- Luminaire and driver installed and maintained from below the ceiling.
- Mounts in 1/16" to 1" surface.
- Tunable White and Warm Dim.
- Modular interchangeability throughout the entire ProTools range of products.
- Tilt 45°, rotation 365°, 144 step.

Housing Die-cast aluminum for precision fit and heat dissipation
Mounting hardware for all ceiling types; trim and trimless
EZ clip mounting for secure installation
Snap-in cover
Trimless housing with Quick-Snap feature allows endless multiple combinations without specialized housings

Covers Square regressed pinhole - smallest aperture, maximum glare control

LED 90+ CRI
Low/Mid/High/Extra High output choices
2700K, 3000K, 3500K, 4000K
Tunable White from 1800K - 4000K
Warm Dim from 1800 - 3000K

Beam 13-48 degree beam spread (TIR Optic)

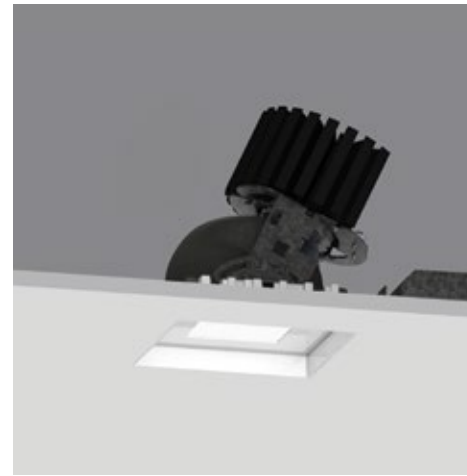
Driver Integral and remote drivers for all dimming and non-dimming applications
Through-wire integral driver enclosure installed from below without the need for bulky housing
POE driver compatibility

Installation Not required when using the Driver Enclosure

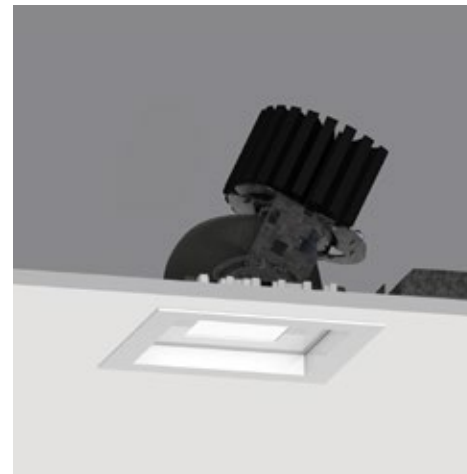
Housing Optional: IC and Chicago plenum
Optional: new construction (with j-box and driver attached)
Optional: Landing pan for use with Driver Enclosure to locate cut-out locations

Warranty 5-year Limited (see complete company warranty information)

Certifications ETL and ETL-C for dry and damp location, CE



Recessed Plaster Trim



Recessed Bezel Trim

4" ProTools DLX Adjustable Square Regressed Pinhole - Adjustable Beam

| Model | Fixation | Power ^{1,2} | CRI/ CCT ⁴ | Driver ⁵ | Cover | Lens | Beam | Finish ⁶ | Options |
|--------------|------------|--|---|------------------------------|-------|------|--------------|---------------------|----------------|
| WG-100SPTDLX | RPT RBT | L M H XH TW WD ³ | 927 930 935 940 TW WD ³ | X S D010 PEQO TW | SRP | OA | 13-48 (Zoom) | W S ⁷ | LP CP IC |

Model

- WG-100SPTDLX = 4" ProTools DLX Adjustable

Fixation

- RPT = Recessed Plaster Trim
- RBT = Recessed Bezel Trim

Power^{1,2}

- L = Low Power, 5.7W @ 350mA
- M = Mid Power, 8.4W @ 500mA
- H = High Power, 12W @ 700mA
- XH = Extra High Power, 17.8W @ 1050mA
- TW = 9W @ 500mA
- WD = 0.4 - 11.8W @ 350mA³

CRI/CCT⁴

- 90+ CRI (Low/Mid/High/Extra High)
- 927 = 2700K, (720/999/1344/1884 lm)
 - 930 = 3000K, (775/1075/1447/2027 lm)
 - 935 = 3500K, (775/1075/1447/2027 lm)
 - 940 = 4000K, (830/1151/1549/2171 lm)
 - TW = Tunable White 1800 - 4000K, (610 - 1060 lm)
 - WD = Warm Dimming 1800 - 3000K, (31 - 1150 lm)³

Driver⁵

- X = Remote driver, ordered separately
- S = Standard non-dim driver, 120-277V
- D010 = EldoLED, 1%, 0-10V Driver, 120-277V
- PEQO = Lutron Hi-lume Premier 0.1% EcoSystem, SoftOn/FadeToBlack, 120-277V
- TW = EldoLED, 0.1%, DALI dimming (TW), 120-277V

Cover

- SRP = Square Recessed Pinhole

Lens

- OA = Open Aperture

Beam

- 13-48 = 13-48° Beam Angle (Zoom) (TIR Optic)

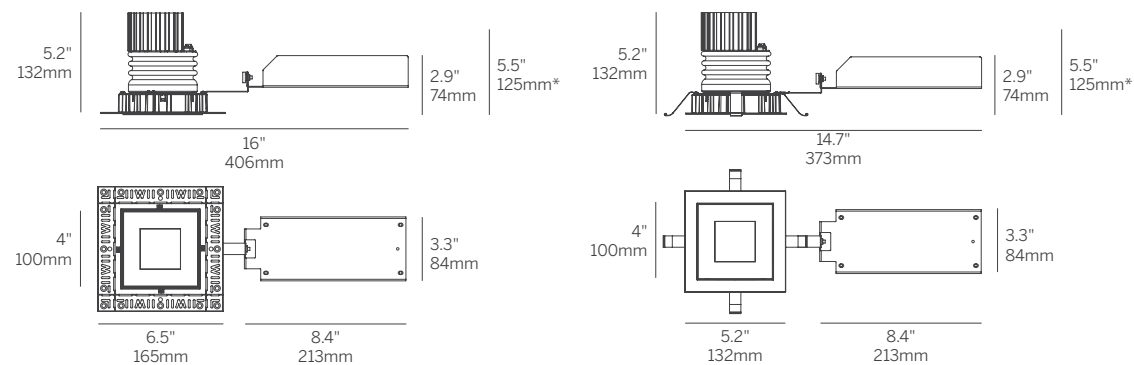
Finish⁶

- W = White, 15% gloss, Tiger Drylac 49/11350 (standard)
- S = Silver, 15% gloss, Tiger Drylac49/90500⁷

Options

ProTools downlights require no additional options kits for remodel & new construction

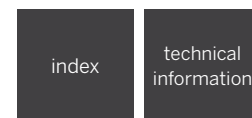
- LP = Landing Pan (specify for Acoustic Ceiling Tile installation)
- CP = Chicago Plenum Housing
- IC = IC/NC Housing



Plaster Trim

Bezel Trim

*Minimum of 5.5" (127mm) ceiling void is required to install the integral driver from below the ceiling.



Design Guide
106-109

Whitegoods reserves the right to change any information without prior notice.

Notes

- 1 Other lumen packages available, consult factory.
- 2 Wattage shown does not include power supplies/drivers. System wattage adds 10-20%.
- 3 Source lumens shown.
- 4 See power supply page for details.
- 5 See Tiger Drylac color chart: inter-lux.com/tiger
- 6 Plaster trim version includes white frame and gray cover.

4" ProTools DLX Adjustable Round Regressed Pinhole

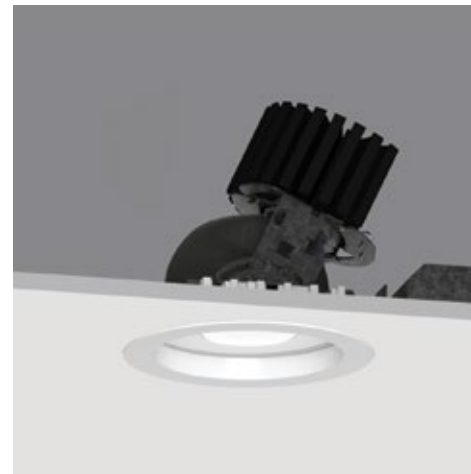
Full Featured With Accessory Holder And Ceiling Void Light Leak Hood

- 4" round downlight with 2" light aperture.
- Regressed aperture / lens position provides good glare control.
- Beam Angle: Various, Cut Off: 30°.
- Open aperture, clear lens or optical accessory lenses.
- No light leak or view into ceiling void from below due to a unique light leak hood.
- Luminaire and driver installed and maintained from below the ceiling.
- Mounts in 1/16" to 1" surface.
- Tunable White and Warm Dim.
- Modular interchangeability throughout the entire ProTools range of products.
- Tilt 45°, rotation 365°, 144 step.

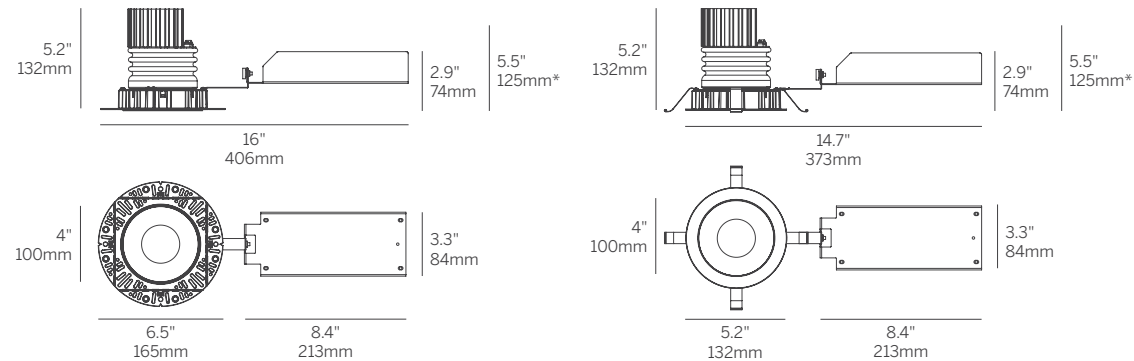
- Housing** Die-caste aluminum for precision fit and heat dissipation
Mounting hardware for all ceiling types; trim and trimless
EZ clip mounting for secure installation
Snap-in cover
Trimless housing with Quick-Snap feature allows endless multiple combinations without specialized housings
- Covers** Round regressed pinhole - smallest aperture, maximum glare control
- LED** 90+ CRI
Low/Mid/High/Extra High output choices
2700K, 3000K, 3500K, 4000K
Tunable White from 1800K - 4000K
Warm Dim from 1800 - 3000K
- Beam** 16, 32 and 41 degree beam spreads
- Driver** Integral and remote drivers for all dimming and non-dimming applications
Through-wire integral driver enclosure installed from below without the need for bulky housing
POE driver compatibility
- Installation** Not required when using the Driver Enclosure
- Housing** Optional: IC and Chicago plenum
Optional: new construction (with j-box and driver attached)
Optional: Landing pan for use with Driver Enclosure to locate cut-out locations
- Warranty** 5-year Limited (see complete company warranty information)
- Certifications** ETL and ETL-C for dry and damp location, CE



Recessed Plaster Trim



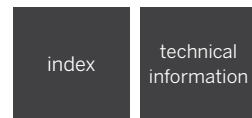
Recessed Bezel Trim



Plaster Trim

Bezel Trim

*Minimum of 5.5" (127mm) ceiling void is required to install the integral driver from below the ceiling.



Design Guide 106-109

4" ProTools DLX Adjustable Round Regressed Pinhole

| Model | Fixation | Power ^{1,2} | CRI/CCT ⁴ | Driver ⁵ | Cover | Lens | Beam | Finish ⁶ | Options |
|--------------|------------|--|---|------------------------------|-------|------------------|----------------|---------------------|----------------|
| WG-100RPTDLX | RPT RBT | L M H XH TW WD ³ | 927 930 935 940 TW WD ³ | X S D010 PEQO TW | RRP | OA MPL RSC | 16 32 41 | W S ⁷ | LP CP IC |

- Model**
- WG-100RPTDLX = 4" ProTools DLX Adjustable
- Fixation**
- RPT = Recessed Plaster Trim
 - RBT = Recessed Bezel Trim
- Power^{1,2}**
- L = Low Power, 5.7W @ 350mA
 - M = Mid Power, 8.4W @ 500mA
 - H = High Power, 12W @ 700mA
 - XH = Extra High Power, 17.8W @ 1050mA
 - TW = 9W @ 500mA
 - WD = 0.4 - 11.8W @ 350mA³
- CRI/CCT⁴**
- 90+ CRI (Low/Mid/High/Extra High)
- 927 = 2700K, (492/683/919/1287 lm)
 - 930 = 3000K, (529/734/989/1385 lm)
 - 935 = 3500K, (529/734/989/1385 lm)
 - 940 = 4000K, (567/786/1058/1483 lm)
 - TW = Tunable White 1800 - 4000K, (610 - 1060 lm)
 - WD = Warm Dimming 1800 - 3000K, (31 - 1150 lm)³
- Driver⁵**
- X = Remote driver, ordered separately
 - S = Standard non-dim driver, 120-277V
 - D010 = EldoLED, 1%, 0-10V Driver, 120-277V
 - PEQO = Lutron Hi-lume Premier 0.1% EcoSystem, SoftOn/FadeToBlack, 120-277V
 - TW = EldoLED, 0.1%, DALI dimming (TW), 120-277V
- Cover**
- RRP = Round Regressed Pinhole
- Lens**
- OA = Open Aperture
 - MPL = Micro-prismatic Lens
 - RSC = Satin Clear
- Beam**
- 16 = 16° Beam Angle
 - 32 = 32° Beam Angle
 - 41 = 41° Beam Angle
- Finish⁶**
- W = White, 15% gloss, Tiger Drylac 49/11350 (standard)
 - S = Silver, 15% gloss, Tiger Drylac49/90500⁷
- Options**
- ProTools downlights require no additional options kits for remodel & new construction
- LP = Landing Pan (specify for Acoustic Ceiling Tile installation)
 - CP = Chicago Plenum Housing
 - IC = IC/NC Housing
- Optical Accessory Holder**
- Up to 3 lenses and/or accessories can be added to the Optical Accessory Holder
- HX = Hex Louver
 - FG = Frosted Glass
 - LS = Linear Spread Lens
 - SOL = Solite Lens

Whitegoods reserves the right to change any information without prior notice.

Notes

- 1 Other lumen packages available, consult factory.
- 2 Wattage shown does not include power supplies/drivers. System wattage adds 10-20%.
- 3 Delivered lumen data shown for WG-100RPTDLX-...-RRP-OA-16-W. Refer to page 2 of specsheet for delivered lumen data for other product configurations. Source lumen data shown for TW and WD options.
- 4 See power supply page for details.
- 5 See Tiger Drylac color chart: inter-lux.com/tiger
- 6 Plaster trim version includes white frame and gray cover.

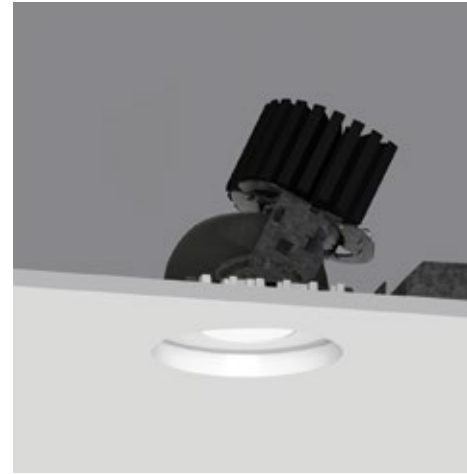


4" ProTools DLX Adjustable Round Regressed Pinhole - Narrow

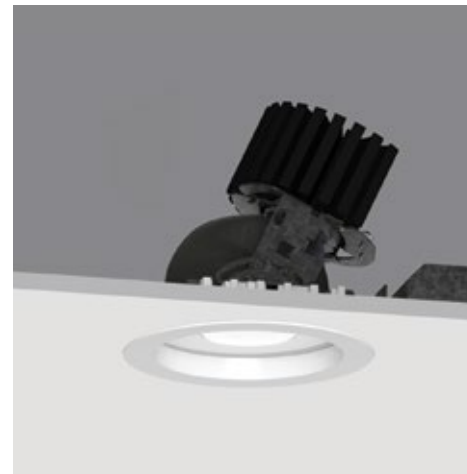
Full Featured With Accessory Holder And Ceiling
Void Light Leak Hood

- 4" round downlight with 2" light aperture.
- Regressed aperture / lens position provides good glare control.
- 8 degree very narrow beam.
- Open aperture, clear lens or optical accessory lenses.
- No light leak or view into ceiling void from below due to a unique light leak hood.
- Luminaire and driver installed and maintained from below the ceiling.
- Mounts in 1/16" to 1" surface.
- Modular interchangeability throughout the entire ProTools range of products.
- Tilt 45°, rotation 365°, 144 step.

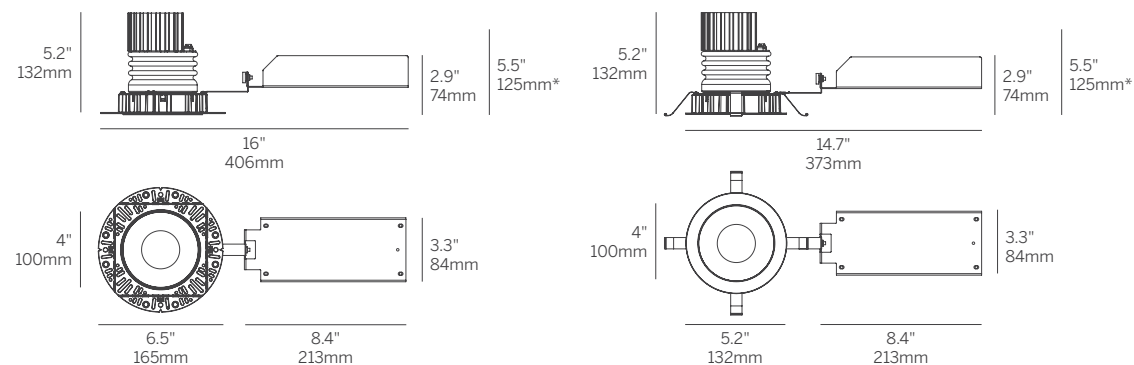
| | |
|-----------------------|--|
| Housing | Die-caste aluminum for precision fit and heat dissipation Mounting hardware for all ceiling types; trim and trimless EZ clip mounting for secure installation Snap-in cover Trimless housing with Quick-Snap feature allows endless multiple combinations without specialized housings |
| Covers | Round regressed pinhole - smallest aperture, maximum glare control |
| LED | 90+ CRI Low/Mid/High/Extra High output choices 2700K, 3000K, 3500K, 4000K |
| Beam | 8 degree beam spread (TIR Optic) |
| Driver | Integral and remote drivers for all dimming and non-dimming applications Through-wire integral driver enclosure installed from below without the need for bulky housing POE driver compatibility |
| Installation | Not required when using the Driver Enclosure |
| Housing | Optional: IC and Chicago plenum Optional: new construction (with j-box and driver attached) Optional: Landing pan for use with Driver Enclosure to locate cut-out locations |
| Warranty | 5-year Limited (see complete company warranty information) |
| Certifications | ETL and ETL-C for dry and damp location, CE |



Recessed Plaster Trim



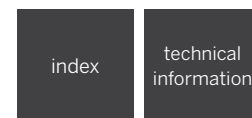
Recessed Bezel Trim



Plaster Trim

Bezel Trim

*Minimum of 5.5" (127mm) ceiling void is required to install the integral driver from below the ceiling.



Design Guide
106-109

4" ProTools DLX Adjustable Round Regressed Pinhole - Narrow

| Model | Fixation | Power ^{1,2} | CRI/ CCT ³ | Driver ⁴ | Cover | Lens | Beam | Finish ⁵ | Options |
|--------------|------------|----------------------|--------------------------|------------------------|-------|------------------|------------|---------------------|----------------|
| WG-100RPTDLX | RPT RBT | L M H XH | 927 930 935 940 | X S D010 PEQ0 | RRP | OA MPL RSC | 8 (Narrow) | W S ⁶ | LP CP IC |

Model

- WG-100RPTDLX = 4" ProTools DLX Adjustable

Fixation

- RPT = Recessed Plaster Trim
- RBT = Recessed Bezel Trim

Power^{1,2}

- L = Low Power, 4W @ 350mA
- M = Mid Power, 5.8W @ 500mA
- H = High Power, 8.4W @ 700mA
- XH = Extra High Power, 13W @ 1050mA

CRI/CCT³

- 90+ CRI (Low/Mid/High/Extra High)
- 927 = 2700K, (360/480/630/850 lm)
- 930 = 3000K, (380/510/670/910 lm)
- 935 = 3500K, (380/510/670/910 lm)
- 940 = 4000K, (410/560/730/980 lm)

Driver⁴

- X = Remote driver, ordered separately
- S = Standard non-dim driver, 120-277V
- D010 = EldoLED, 1%, 0-10V Driver, 120-277V
- PEQ0 = Lutron Hi-lume Premier 0.1% EcoSystem, SoftOn/FadeToBlack, 120-277V

Cover

- RRP = Round Regressed Pinhole

Lens

- OA = Open Aperture
- MPL = Micro-prismatic Lens
- RSC = Satin Clear

Beam

- 8 = 8° Beam Angle (Narrow) (TIR Optic)

Finish⁵

- W = White, 15% gloss, Tiger Drylac 49/11350 (standard)
- S = Silver, 15% gloss, Tiger Drylac49/90500⁶

Options

ProTools downlights require no additional options kits for remodel & new construction

- LP = Landing Pan (specify for Acoustic Ceiling Tile installation)
- CP = Chicago Plenum Housing
- IC = IC/NC Housing

Optical Accessory Holder

Up to 3 lenses and/or accessories can be added to the Optical Accessory Holder

- HX = Hex Louver
- FG = Frosted Glass
- LS = Linear Spread Lens
- SOL = Solite Lens

Whitegoods reserves the right to change any information without prior notice.

Notes

- Other lumen packages available, consult factory.
- Wattage shown does not include power supplies/drivers. System wattage adds 10-20%.
- Source lumens shown.
- See power supply page for details.
- See Tiger Drylac color chart: inter-lux.com/tiger
- Plaster trim version includes white frame and gray cover.

4" ProTools DLX Adjustable

Round Regressed Pinhole - Adjustable Beam

Full Featured With Accessory Holder And Ceiling Void Light Leak Hood

- 4" round downlight with 2" light aperture.
- Regressed aperture / lens position provides good glare control.
- 13-48 degree zoom.
- Open aperture.
- No light leak or view into ceiling void from below due to a unique light leak hood.
- Luminaire and driver installed and maintained from below the ceiling.
- Mounts in 1/16" to 1" surface.
- Tunable White and Warm Dim.
- Modular interchangeability throughout the entire ProTools range of products.
- Tilt 45°, rotation 365°, 144 step.

- Housing** Die-caste aluminum for precision fit and heat dissipation
Mounting hardware for all ceiling types; trim and trimless
EZ clip mounting for secure installation
Snap-in cover
Trimless housing with Quick-Snap feature allows endless multiple combinations without specialized housings
- Covers** Round regressed pinhole - smallest aperture, maximum glare control
- LED** 90+ CRI
Low/Mid/High/Extra High output choices
2700K, 3000K, 3500K, 4000K
Tunable White from 1800K - 4000K
Warm Dim from 1800 - 3000K
- Beam** 13-48 degree beam spread (TIR Optic)
- Driver** Integral and remote drivers for all dimming and non-dimming applications
Through-wire integral driver enclosure installed from below without the need for bulky housing
POE driver compatibility
- Installation** Not required when using the Driver Enclosure
- Housing** Optional: IC and Chicago plenum
Optional: new construction (with j-box and driver attached)
Optional: Landing pan for use with Driver Enclosure to locate cut-out locations
- Warranty** 5-year Limited (see complete company warranty information)
- Certifications** ETL and ETL-C for dry and damp location, CE



Recessed Plaster Trim



Recessed Bezel Trim

4" ProTools DLX Adjustable

Round Regressed Pinhole - Adjustable Beam

| Model | Fixation | Power ^{1,2} | CRI/CCT ^{3,4} | Driver ⁵ | Cover | Lens | Beam | Finish ⁶ | Options |
|--------------|------------|--|---|------------------------------|-------|------|--------------|---------------------|----------------|
| WG-100RPTDLX | RPT RBT | L M H XH TW WD ³ | 927 930 935 940 TW WD ³ | X S D010 PEQO TW | RRP | OA | 13-48 (Zoom) | W S ⁷ | LP CP IC |

- Model**
- WG-100RPTDLX = 4" ProTools DLX Adjustable

- Fixation**
- RPT = Recessed Plaster Trim
 - RBT = Recessed Bezel Trim

- Power^{1,2}**
- L = Low Power, 5.7W @ 350mA
 - M = Mid Power, 8.4W @ 500mA
 - H = High Power, 12W @ 700mA
 - XH = Extra High Power, 17.8W @ 1050mA
 - TW = 9W @ 500mA
 - WD = 0.4 - 11.8W @ 350mA³

- CRI/CCT⁴**
- 90+ CRI (Low/Mid/High/Extra High)
- 927 = 2700K, (720/999/1344/1884 lm)
 - 930 = 3000K, (775/1075/1447/2027 lm)
 - 935 = 3500K, (775/1075/1447/2027 lm)
 - 940 = 4000K, (830/1151/1549/2171 lm)
 - TW = Tunable White 1800 - 4000K, (610 - 1060 lm)
 - WD = Warm Dimming 1800 - 3000K, (31 - 1150 lm)³

- Driver⁵**
- X = Remote driver, ordered separately
 - S = Standard non-dim driver, 120-277V
 - D010 = EldoLED, 1%, 0-10V Driver, 120-277V
 - PEQO = Lutron Hi-lume Premier 0.1% EcoSystem, SoftOn/FadeToBlack, 120-277V
 - TW = EldoLED, 0.1%, DALI dimming (TW), 120-277V

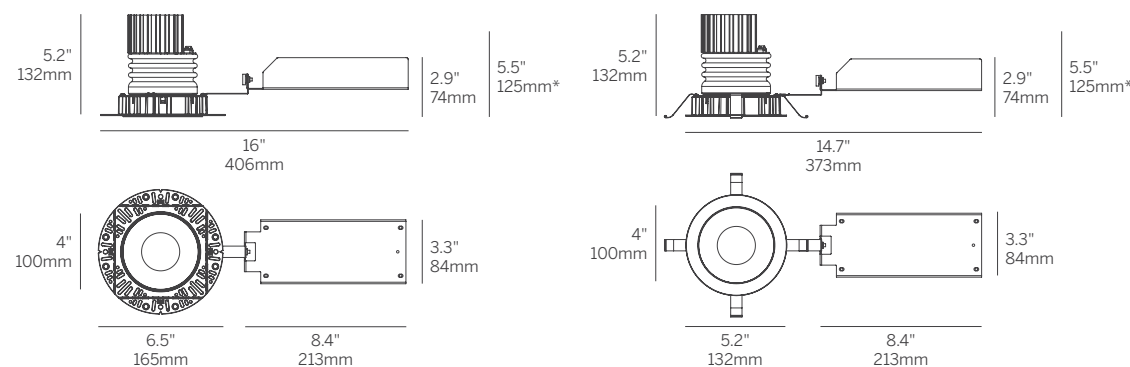
- Cover**
- RRP = Round Regressed Pinhole

- Lens**
- OA = Open Aperture

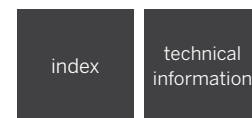
- Beam**
- 13-48 = 13-48° Beam Angle (Zoom) (TIR Optic)

- Finish⁶**
- W = White, 15% gloss, Tiger Drylac 49/11350 (standard)
 - S = Silver, 15% gloss, Tiger Drylac49/90500⁷

- Options**
- ProTools downlights require no additional options kits for remodel & new construction
- LP = Landing Pan (specify for Acoustic Ceiling Tile installation)
 - CP = Chicago Plenum Housing
 - IC = IC/NC Housing



*Minimum of 5.5" (127mm) ceiling void is required to install the integral driver from below the ceiling.



Design Guide
106-109

Whitegoods reserves the right to change any information without prior notice.

Notes

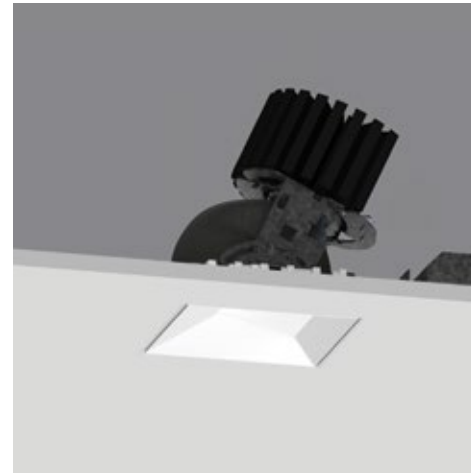
- 1 Other lumen packages available, consult factory.
- 2 Wattage shown does not include power supplies/drivers. System wattage adds 10-20%.
- 3 Source lumens shown.
- 4 See power supply page for details.
- 5 See Tiger Drylac color chart: inter-lux.com/tiger
- 6 Plaster trim version includes white frame and gray cover.

4" ProTools DLX Adjustable Square Asymmetric Cone

Asymmetric Cover For Minimum Beam Clipping With Wider Angle Optics And Higher Angle Focusing

- 4" square downlight with 2" light aperture.
- Regressed aperture / lens position provides good glare control.
- Beam Angle: Various
- Open aperture, clear lens or optical accessory lenses.
- No light leak or view into ceiling void from below due to a unique light leak hood.
- Luminaire and driver installed and maintained from below the ceiling.
- Mounts in 1/16" to 1" surface.
- Tunable White and Warm Dim.
- Modular interchangeability throughout the entire ProTools range of products.
- Tilt 35°, rotation 365°, 144 step.
- Wet Location option as standard (WL).

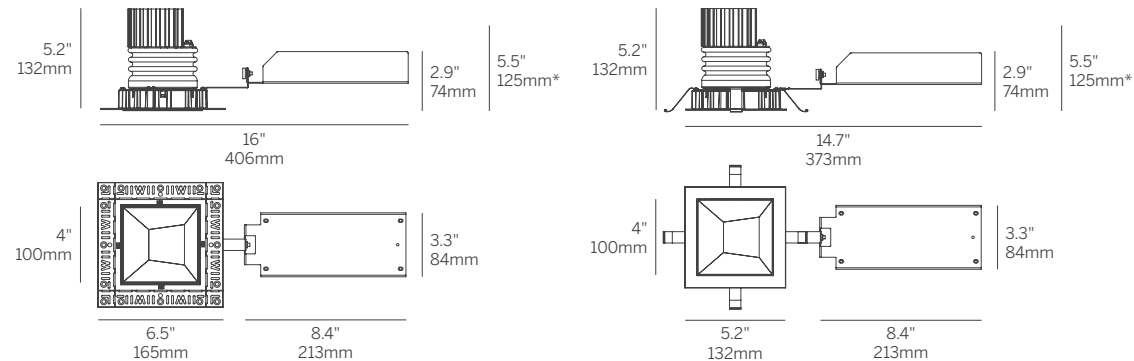
- Housing** Die-caste aluminum for precision fit and heat dissipation
Mounting hardware for all ceiling types; trim and trimless
EZ clip mounting for secure installation
Snap-in cover
Trimless housing with Quick-Snap feature allows endless multiple combinations without specialized housings
- Covers** Square asymmetric cone with minimal ceiling interruption
- LED** 90+ CRI
Low/Mid/High/Extra High output choices
2700K, 3000K, 3500K, 4000K
Tunable White from 1800K - 4000K
Warm Dim from 1800 - 3000K
- Beam** 16, 32 and 41 degree beam spreads
- Driver** Integral and remote drivers for all dimming and non-dimming applications
Through-wire integral driver enclosure installed from below without the need for bulky housing
POE driver compatibility
- Installation** Not required when using the Driver Enclosure
- Housing** Optional: IC and Chicago plenum
Optional: new construction (with j-box and driver attached)
Optional: Landing pan for use with Driver Enclosure to locate cut-out locations
- Warranty** 5-year Limited (see complete company warranty information)
- Certifications** ETL and ETL-C for dry and damp location, CE, Wet Location rated



Recessed Plaster Trim



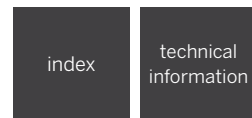
Recessed Bezel Trim



Plaster Trim

Bezel Trim

*Minimum of 5.5" (127mm) ceiling void is required to install the integral driver from below the ceiling.



Design Guide 106-109

4" ProTools DLX Adjustable Square Asymmetric Cone

| Model | Fixation | Power ^{1,2} | CRI/CCT ⁴ | Driver ⁵ | Cover | Lens | Beam | Finish ⁶ | Options |
|--------------|------------|--|---|------------------------------|-------|------------------|----------------|---------------------|----------------------|
| WG-100SPTDLX | RPT RBT | L M H XH TW WD ³ | 927 930 935 940 TW WD ³ | X S D010 PEQO TW | SAC | OA MPL RSC | 16 32 41 | W S ⁷ | LP CP IC WL |

- Model**
- WG-100SPTDLX = 4" ProTools DLX Adjustable
- Fixation**
- RPT = Recessed Plaster Trim
 - RBT = Recessed Bezel Trim
- Power^{1,2}**
- L = Low Power, 5.7W @ 350mA
 - M = Mid Power, 8.4W @ 500mA
 - H = High Power, 12W @ 700mA
 - XH = Extra High Power, 17.8W @ 1050mA
 - TW = 9W @ 500mA
 - WD = 0.4 - 11.8W @ 350mA³
- CRI/CCT⁴**
- 90+ CRI (Low/Mid/High/Extra High)
- 927 = 2700K, (447/620/834/1169 lm)
 - 930 = 3000K, (481/667/898/1258 lm)
 - 935 = 3500K, (481/667/898/1258 lm)
 - 940 = 4000K, (515/714/961/1347 lm)
 - TW = Tunable White 1800 - 4000K, (610 - 1060 lm)
 - WD = Warm Dimming 1800 - 3000K, (31 - 1150 lm)³
- Driver⁵**
- X = Remote driver, ordered separately
 - S = Standard non-dim driver, 120-277V
 - D010 = EldoLED, 1%, 0-10V Driver, 120-277V
 - PEQO = Lutron Hi-lume Premier 0.1% EcoSystem, SoftOn/FadeToBlack, 120-277V
 - TW = EldoLED, 0.1%, DALI dimming (TW), 120-277V
- Cover**
- SAC = Square Asymmetric Cone
- Lens**
- OA = Open Aperture
 - MPL = Micro-prismatic Lens
 - RSC = Satin Clear
- Beam**
- 16 = 16° Beam Angle
 - 32 = 32° Beam Angle
 - 41 = 41° Beam Angle
- Finish⁶**
- W = White, 15% gloss, Tiger Drylac 49/11350 (standard)
 - S = Silver, 15% gloss, Tiger Drylac49/90500⁷
- Options**
- ProTools downlights require no additional options kits for remodel & new construction
- LP = Landing Pan (specify for Acoustic Ceiling Tile installation)
 - CP = Chicago Plenum Housing
 - IC = IC/NC Housing
 - WL = Wet Location (not available with open aperture)
- Optical Accessory Holder**
- Up to 3 lenses and/or accessories can be added to the Optical Accessory Holder
- HX = Hex Louver
 - FG = Frosted Glass
 - LS = Linear Spread Lens
 - SOL = Solite Lens

Whitegoods reserves the right to change any information without prior notice.

Notes

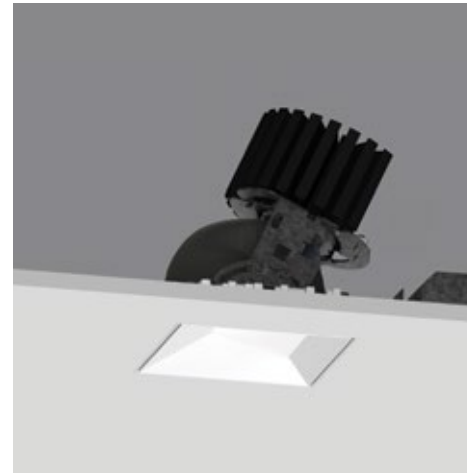
- 1 Other lumen packages available, consult factory.
- 2 Wattage shown does not include power supplies/drivers. System wattage adds 10-20%.
- 3 Delivered lumen data shown for WG-100SPTDLX-...-SAC-OA-16-W. Refer to page 2 of specsheet for delivered lumen data for other product configurations. Source lumen data shown for TW and WD options.
- 4 See power supply page for details.
- 5 See Tiger Drylac color chart: inter-lux.com/tiger
- 6 Plaster trim version includes white frame and gray cover.

4" ProTools DLX Adjustable Square Asymmetric Cone - Narrow

Asymmetric Cover For Minimum Beam Clipping
With Wider Angle Optics And Higher Angle Focusing

- 4" square downlight with 2" light aperture.
- Regressed aperture / lens position provides good glare control.
- 8 degree very narrow beam.
- Open aperture, clear lens or optical accessory lenses.
- No light leak or view into ceiling void from below due to a unique light leak hood.
- Luminaire and driver installed and maintained from below the ceiling.
- Mounts in 1/16" to 1" surface.
- Modular interchangeability throughout the entire ProTools range of products.
- Tilt 35°, rotation 365°, 144 step.
- Wet Location option as standard (WL).

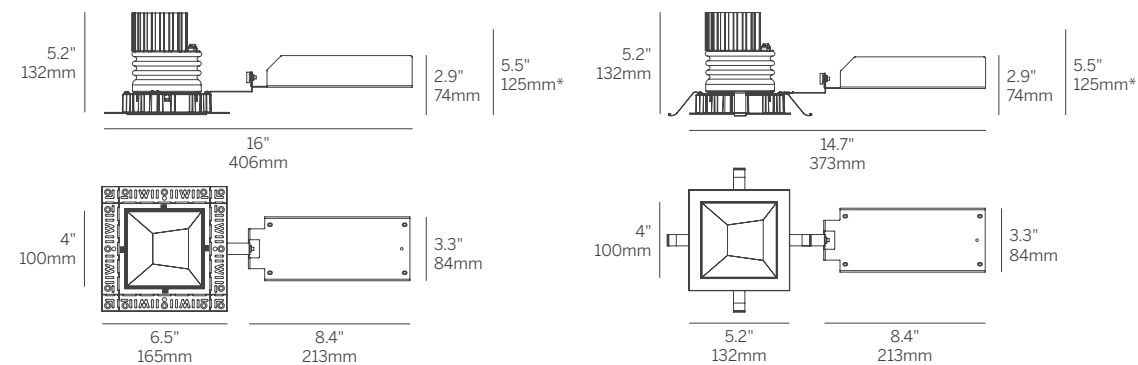
| | |
|-----------------------|--|
| Housing | Die-caste aluminum for precision fit and heat dissipation Mounting hardware for all ceiling types; trim and trimless EZ clip mounting for secure installation Snap-in cover Trimless housing with Quick-Snap feature allows endless multiple combinations without specialized housings |
| Covers | Square asymmetric cone with minimal ceiling interruption |
| LED | 90+ CRI Low/Mid/High/Extra High output choices 2700K, 3000K, 3500K, 4000K |
| Beam | 8 degree beam spread (TIR Optic) |
| Driver | Integral and remote drivers for all dimming and non-dimming applications Through-wire integral driver enclosure installed from below without the need for bulky housing POE driver compatibility |
| Installation | Not required when using the Driver Enclosure |
| Housing | Optional: IC and Chicago plenum Optional: new construction (with j-box and driver attached) Optional: Landing pan for use with Driver Enclosure to locate cut-out locations |
| Warranty | 5-year Limited (see complete company warranty information) |
| Certifications | ETL and ETL-C for dry and damp location, CE, Wet Location rated |



Recessed Plaster Trim



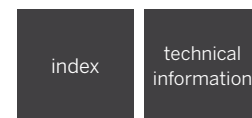
Recessed Bezel Trim



Plaster Trim

Bezel Trim

*Minimum of 5.5" (127mm) ceiling void is required to install the integral driver from below the ceiling.



Design Guide
106-109

4" ProTools DLX Adjustable Square Asymmetric Cone - Narrow

| Model | Fixation | Power ^{1,2} | CRI/ CCT ³ | Driver ⁴ | Cover | Lens | Beam | Finish ⁵ | Options |
|--------------|------------|----------------------|--------------------------|------------------------|-------|------------------|------------|---------------------|----------------------|
| WG-100SPTDLX | RPT RBT | L M H XH | 927 930 935 940 | X S D010 PEQ0 | SAC | OA MPL RSC | 8 (Narrow) | W S ⁶ | LP CP IC WL |

Model

- WG-100SPTDLX = 4" ProTools DLX Adjustable

Fixation

- RPT = Recessed Plaster Trim
- RBT = Recessed Bezel Trim

Power^{1,2}

- L = Low Power, 4W @ 350mA
- M = Mid Power, 5.8W @ 500mA
- H = High Power, 8.4W @ 700mA
- XH = Extra High Power, 13W @ 1050mA

CRI/CCT³

- 90+ CRI (Low/Mid/High/Extra High)
- 927 = 2700K, (360/480/630/850 lm)
- 930 = 3000K, (380/510/670/910 lm)
- 935 = 3500K, (380/510/670/910 lm)
- 940 = 4000K, (410/560/730/980 lm)

Driver⁴

- X = Remote driver, ordered separately
- S = Standard non-dim driver, 120-277V
- D010 = EldoLED, 1%, 0-10V Driver, 120-277V
- PEQ0 = Lutron Hi-lume Premier 0.1% EcoSystem, SoftOn/FadeToBlack, 120-277V

Cover

- SAC = Square Asymmetric Cone

Lens

- OA = Open Aperture
- MPL = Micro-prismatic Lens
- RSC = Satin Clear

Beam

- 8 = 8° Beam Angle (Narrow) (TIR Optic)

Finish⁵

- W = White, 15% gloss, Tiger Drylac 49/11350 (standard)
- S = Silver, 15% gloss, Tiger Drylac49/90500⁶

Options

ProTools downlights require no additional options kits for remodel & new construction

- LP = Landing Pan (specify for Acoustic Ceiling Tile installation)
- CP = Chicago Plenum Housing
- IC = IC/NC Housing
- WL = Wet Location (not available with open aperture)

Optical Accessory Holder

Up to 3 lenses and/or accessories can be added to the Optical Accessory Holder

- HX = Hex Louver
- FG = Frosted Glass
- LS = Linear Spread Lens
- SOL = Solite Lens

Whitegoods reserves the right to change any information without prior notice.

Notes

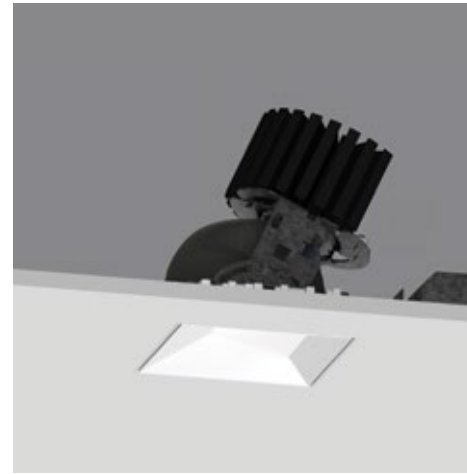
- Other lumen packages available, consult factory.
- Wattage shown does not include power supplies/drivers. System wattage adds 10-20%.
- Source lumens shown.
- See power supply page for details.
- See Tiger Drylac color chart: inter-lux.com/tiger
- Plaster trim version includes white frame and gray cover.

4" ProTools DLX Adjustable Square Asymmetric Cone - Adjustable Beam

Asymmetric Cover For Minimum Beam Clipping
With Wider Angle Optics And Higher Angle Focusing

- 4" square downlight with 2" light aperture.
- Regressed aperture / lens position provides good glare control.
- 13-48 degree zoom.
- Open aperture.
- No light leak or view into ceiling void from below due to a unique light leak hood.
- Luminaire and driver installed and maintained from below the ceiling.
- Mounts in 1/16" to 1" surface.
- Tunable White and Warm Dim.
- Modular interchangeability throughout the entire ProTools range of products.
- Tilt 35°, rotation 365°, 144 step.

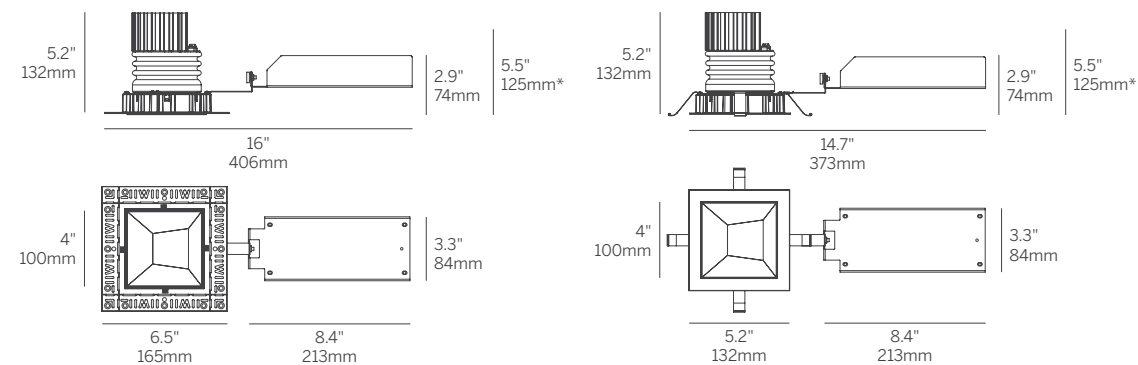
- Housing** Die-caste aluminum for precision fit and heat dissipation
Mounting hardware for all ceiling types; trim and trimless
EZ clip mounting for secure installation
Snap-in cover
Trimless housing with Quick-Snap feature allows endless multiple combinations without specialized housings
- Covers** Square asymmetric cone with minimal ceiling interruption
- LED** 90+ CRI
Low/Mid/High/Extra High output choices
2700K, 3000K, 3500K, 4000K
Tunable White from 1800K - 4000K
Warm Dim from 1800 - 3000K
- Beam** 13-48 degree beam spread (TIR Optic)
- Driver** Integral and remote drivers for all dimming and non-dimming applications
Through-wire integral driver enclosure installed from below without the need for bulky housing
POE driver compatibility
- Installation** Not required when using the Driver Enclosure
- Housing** Optional: IC and Chicago plenum
Optional: new construction (with j-box and driver attached)
Optional: Landing pan for use with Driver Enclosure to locate cut-out locations
- Warranty** 5-year Limited (see complete company warranty information)
- Certifications** ETL and ETL-C for dry and damp location, CE



Recessed Plaster Trim



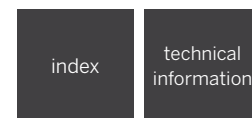
Recessed Bezel Trim



Plaster Trim

Bezel Trim

*Minimum of 5.5" (127mm) ceiling void is required to install the integral driver from below the ceiling.



Design Guide
106-109

4" ProTools DLX Adjustable Square Asymmetric Cone - Adjustable Beam

| Model | Fixation | Power ^{1,2} | CRI/ CCT ⁴ | Driver ⁵ | Cover | Lens | Beam | Finish ⁶ | Options |
|--------------|------------|--|---|------------------------------|-------|------|--------------|---------------------|----------------|
| WG-100SPTDLX | RPT RBT | L M H XH TW WD ³ | 927 930 935 940 TW WD ³ | X S D010 PEQO TW | SAC | OA | 13-48 (Zoom) | W S ⁷ | LP CP IC |

Model

- WG-100SPTDLX = 4" ProTools DLX Adjustable

Fixation

- RPT = Recessed Plaster Trim
- RBT = Recessed Bezel Trim

Power^{1,2}

- L = Low Power, 5.7W @ 350mA
- M = Mid Power, 8.4W @ 500mA
- H = High Power, 12W @ 700mA
- XH = Extra High Power, 17.8W @ 1050mA
- TW = 9W @ 500mA
- WD = 0.4 - 11.8W @ 350mA³

CRI/CCT⁴

- 90+ CRI (Low/Mid/High/Extra High)
- 927 = 2700K, (720/999/1344/1884 lm)
 - 930 = 3000K, (775/1075/1447/2027 lm)
 - 935 = 3500K, (775/1075/1447/2027 lm)
 - 940 = 4000K, (830/1151/1549/2171 lm)
 - TW = Tunable White 1800 - 4000K, (610 - 1060 lm)
 - WD = Warm Dimming 1800 - 3000K, (31 - 1150 lm)³

Driver⁵

- X = Remote driver, ordered separately
- S = Standard non-dim driver, 120-277V
- D010 = EldoLED, 1%, 0-10V Driver, 120-277V
- PEQO = Lutron Hi-lume Premier 0.1% EcoSystem, SoftOn/FadeToBlack, 120-277V
- TW = EldoLED, 0.1%, DALI dimming (TW), 120-277V

Cover

- SAC = Square Asymmetric Cone

Lens

- OA = Open Aperture

Beam

- 13-48 = 13-48° Beam Angle (Zoom) (TIR Optic)

Finish⁶

- W = White, 15% gloss, Tiger Drylac 49/11350 (standard)
- S = Silver, 15% gloss, Tiger Drylac49/90500⁷

Options

ProTools downlights require no additional options kits for remodel & new construction

- LP = Landing Pan (specify for Acoustic Ceiling Tile installation)
- CP = Chicago Plenum Housing
- IC = IC/NC Housing

Whitegoods reserves the right to change any information without prior notice.

Notes

- 1 Other lumen packages available, consult factory.
- 2 Wattage shown does not include power supplies/drivers. System wattage adds 10-20%.
- 3 Source lumens shown.
- 4 See power supply page for details.
- 5 See Tiger Drylac color chart: inter-lux.com/tiger
- 6 Plaster trim version includes white frame and gray cover.

4" ProTools DLX Adjustable Round Asymmetric Cone

Asymmetric Cover For Minimum Beam Clipping
With Wider Angle Optics And Higher Angle Focusing

- 4" round downlight with 2" light aperture.
- Regressed aperture / lens position provides good glare control.
- Beam Angle: Various
- Open aperture, clear lens or optical accessory lenses.
- No light leak or view into ceiling void from below due to a unique light leak hood.
- Luminaire and driver installed and maintained from below the ceiling.
- Mounts in 1/16" to 1" surface.
- Tunable White and Warm Dim.
- Modular interchangeability throughout the entire ProTools range of products.
- Tilt 35°, Rotation 365°, 144 step.
- Wet Location option as standard (WL).

Housing Die-caste aluminum for precision fit and heat dissipation
Mounting hardware for all ceiling types; trim and trimless
EZ clip mounting for secure installation
Snap-in cover
Trimless housing with Quick-Snap feature allows endless multiple combinations without specialized housings

Covers Round asymmetric cone with minimal ceiling interruption

LED 90+ CRI
Low/Mid/High/Extra High output choices
2700K, 3000K, 3500K, 4000K
Tunable White from 1800K - 4000K
Warm Dim from 1800 - 3000K

Beam 16, 32 and 41 degree beam spreads

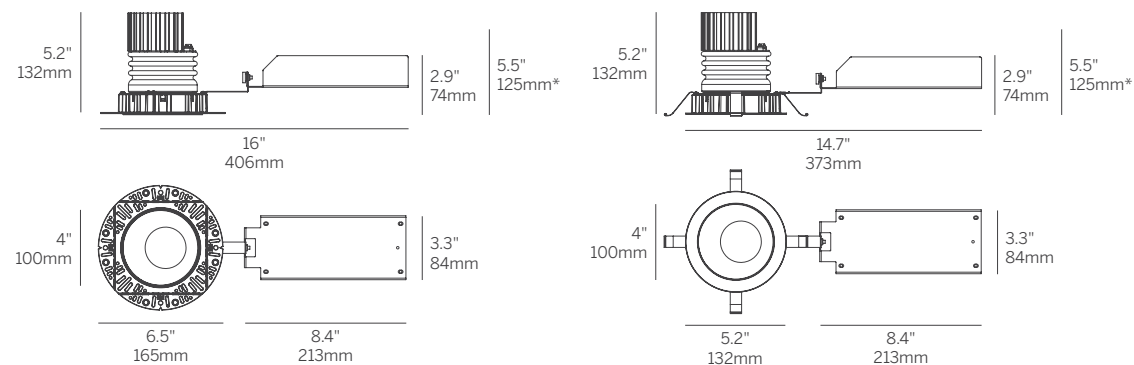
Driver Integral and remote drivers for all dimming and non-dimming applications
Through-wire integral driver enclosure installed from below without the need for bulky housing
POE driver compatibility

Installation Not required when using the Driver Enclosure

Housing Optional: IC and Chicago plenum
Optional: new construction (with j-box and driver attached)
Optional: Landing pan for use with Driver Enclosure to locate cut-out locations

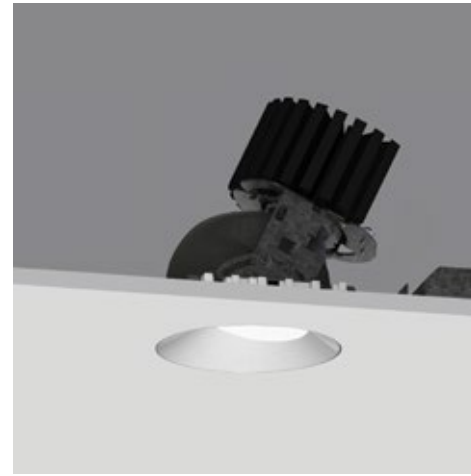
Warranty 5-year Limited (see complete company warranty information)

Certifications ETL and ETL-C for dry and damp location, CE, Wet Location rated

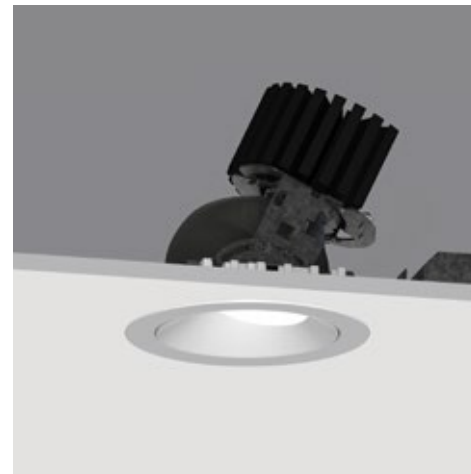


Plaster Trim

Bezel Trim

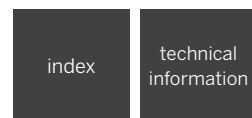


Recessed Plaster Trim



Recessed Bezel Trim

*Minimum of 5.5" (127mm) ceiling void is required to install the integral driver from below the ceiling.



Design Guide
106-109

4" ProTools DLX Adjustable Round Asymmetric Cone

| Model | Fixation | Power ^{1,2} | CRI/ CCT ⁴ | Driver ⁵ | Cover | Lens | Beam | Finish ⁶ | Options |
|--------------|------------|--|---|------------------------------|-------|------------------|----------------|---------------------|----------------------|
| WG-100RPTDLX | RPT RBT | L M H XH TW WD ³ | 927 930 935 940 TW WD ³ | X S D010 PEQO TW | RAC | OA MPL RSC | 16 32 41 | W S ⁷ | LP CP IC WL |

Model

- WG-100SPTDLX = 4" ProTools DLX Adjustable

Fixation

- RPT = Recessed Plaster Trim
- RBT = Recessed Bezel Trim

Power^{1,2}

- L = Low Power, 5.7W @ 350mA
- M = Mid Power, 8.4W @ 500mA
- H = High Power, 12W @ 700mA
- XH = Extra High Power, 17.8W @ 1050mA
- TW = 9W @ 500mA
- WD = 0.4 - 11.8W @ 350mA³

CRI/CCT⁴

- 90+ CRI (Low/Mid/High/Extra High)
- 927 = 2700K, (501/695/936/1311 lm)
- 930 = 3000K, (539/748/1007/1410 lm)
- 935 = 3500K, (539/748/1007/1410 lm)
- 940 = 4000K, (577/801/1078/1510 lm)
- TW = Tunable White 1800 - 4000K, (610 - 1060 lm)
- WD = Warm Dimming 1800 - 3000K, (31 - 1150 lm)³

Driver⁵

- X = Remote driver, ordered separately
- S = Standard non-dim driver, 120-277V
- D010 = EldoLED, 1%, 0-10V Driver, 120-277V
- PEQO = Lutron Hi-lume Premier 0.1% EcoSystem, SoftOn/FadeToBlack, 120-277V
- TW = EldoLED, 0.1%, DALI dimming (TW), 120-277V

Cover

- RAC = Round Asymmetric Cone

Lens

- OA = Open Aperture
- MPL = Micro-prismatic Lens
- RSC = Satin Clear

Beam

- 16 = 16° Beam Angle
- 32 = 32° Beam Angle
- 41 = 41° Beam Angle

Finish⁶

- W = White, 15% gloss, Tiger Drylac 49/11350 (standard)
- S = Silver, 15% gloss, Tiger Drylac49/90500⁷

Options

ProTools downlights require no additional options kits for remodel & new construction

- LP = Landing Pan (specify for Acoustic Ceiling Tile installation)
- CP = Chicago Plenum Housing
- IC = IC/NC Housing
- WL = Wet Location (not available with open aperture)

Optical Accessory Holder

Up to 3 lenses and/or accessories can be added to the Optical Accessory Holder

- HX = Hex Louver
- FG = Frosted Glass
- LS = Linear Spread Lens
- SOL = Solite Lens

Whitegoods reserves the right to change any information without prior notice.

Notes

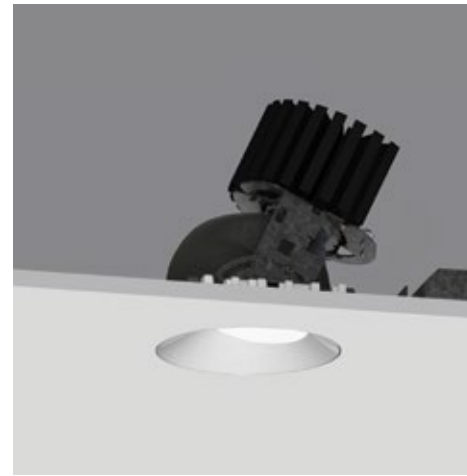
- Other lumen packages available, consult factory.
- Wattage shown does not include power supplies/drivers. System wattage adds 10-20%.
- Delivered lumen data shown for WG-100RPTDLX-...-RAC-OA-16-W. Refer to page 2 of specsheet for delivered lumen data for other product configurations. Source lumen data shown for TW and WD options.
- See power supply page for details.
- See Tiger Drylac color chart: inter-lux.com/tiger
- Plaster trim version includes white frame and gray cover.

4" ProTools DLX Adjustable Round Asymmetric Cone - Narrow

Asymmetric Cover For Minimum Beam Clipping
With Wider Angle Optics And Higher Angle Focusing

- 4" round downlight with 2" light aperture.
- Regressed aperture / lens position provides good glare control.
- 8 degree very narrow beam.
- Open aperture, clear lens or optical accessory lenses.
- No light leak or view into ceiling void from below due to a unique light leak hood.
- Luminaire and driver installed and maintained from below the ceiling.
- Mounts in 1/16" to 1" surface.
- Modular interchangeability throughout the entire ProTools range of products.
- Tilt 35°, rotation 365°, 144 step.
- Wet Location option as standard (WL).

- Housing** Die-caste aluminum for precision fit and heat dissipation
Mounting hardware for all ceiling types; trim and trimless
EZ clip mounting for secure installation
Snap-in cover
Trimless housing with Quick-Snap feature allows endless multiple combinations without specialized housings
- Covers** Round asymmetric cone with minimal ceiling interruption
- LED** 90+ CRI
Low/Mid/High/Extra High output choices
2700K, 3000K, 3500K, 4000K
- Beam** 8 degree beam spread (TIR Optic)
- Driver** Integral and remote drivers for all dimming and non-dimming applications
Through-wire integral driver enclosure installed from below without the need for bulky housing
POE driver compatibility
- Installation** Not required when using the Driver Enclosure
- Housing** Optional: IC and Chicago plenum
Optional: new construction (with j-box and driver attached)
Optional: Landing pan for use with Driver Enclosure to locate cut-out locations
- Warranty** 5-year Limited (see complete company warranty information)
- Certifications** ETL and ETL-C for dry and damp location, CE, Wet Location rated



Recessed Plaster Trim



Recessed Bezel Trim

4" ProTools DLX Adjustable Round Asymmetric Cone - Narrow

| Model | Fixation | Power ^{1,2} | CRI/ CCT ³ | Driver ⁴ | Cover | Lens | Beam | Finish ⁵ | Options |
|--------------|------------|----------------------|--------------------------|------------------------|-------|------------------|------------|---------------------|----------------------|
| WG-100RPTDLX | RPT RBT | L M H XH | 927 930 935 940 | X S D010 PEQ0 | RAC | OA MPL RSC | 8 (Narrow) | W S ⁶ | LP CP IC WL |

Model

- WG-100SPTDLX = 4" ProTools DLX Adjustable

Fixation

- RPT = Recessed Plaster Trim
- RBT = Recessed Bezel Trim

Power^{1,2}

- L = Low Power, 4W @ 350mA
- M = Mid Power, 5.8W @ 500mA
- H = High Power, 8.4W @ 700mA
- XH = Extra High Power, 13W @ 1050mA

CRI/CCT³

- 90+ CRI (Low/Mid/High/Extra High)
- 927 = 2700K, (360/480/630/850 lm)
- 930 = 3000K, (380/510/670/910 lm)
- 935 = 3500K, (380/510/670/910 lm)
- 940 = 4000K, (410/560/730/980 lm)

Driver⁴

- X = Remote driver, ordered separately
- S = Standard non-dim driver, 120-277V
- D010 = EldoLED, 1%, 0-10V Driver, 120-277V
- PEQ0 = Lutron Hi-lume Premier 0.1% EcoSystem, SoftOn/FadeToBlack, 120-277V

Cover

- RAC = Round Asymmetric Cone

Lens

- OA = Open Aperture
- MPL = Micro-prismatic Lens
- RSC = Satin Clear

Beam

- 8 = 8° Beam Angle (Narrow) (TIR Optic)

Finish⁵

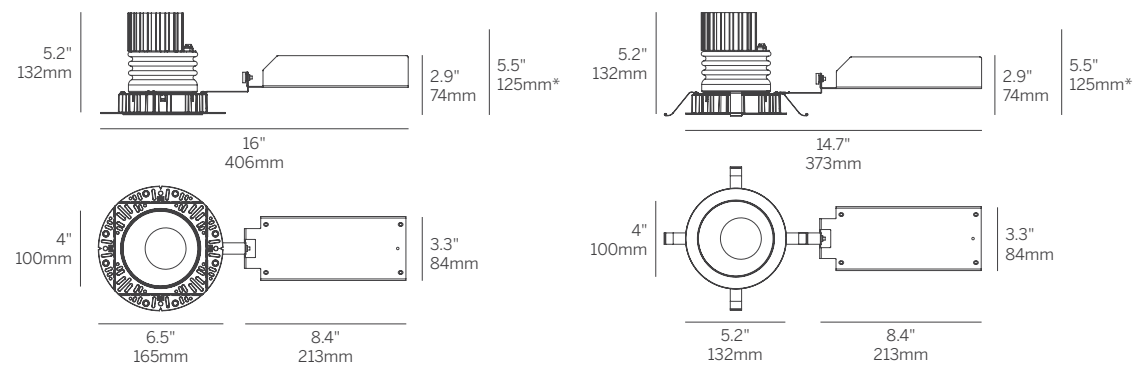
- W = White, 15% gloss, Tiger Drylac 49/11350 (standard)
- S = Silver, 15% gloss, Tiger Drylac49/90500⁶

Options

- ProTools downlights require no additional options kits for remodel & new construction
- LP = Landing Pan (specify for Acoustic Ceiling Tile installation)
 - CP = Chicago Plenum Housing
 - IC = IC/NC Housing
 - WL = Wet Location (not available with open aperture)

Optical Accessory Holder

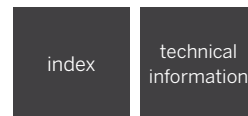
- Up to 3 lenses and/or accessories can be added to the Optical Accessory Holder
- HX = Hex Louver
 - FG = Frosted Glass
 - LS = Linear Spread Lens
 - SOL = Solite Lens



Plaster Trim

Bezel Trim

*Minimum of 5.5" (127mm) ceiling void is required to install the integral driver from below the ceiling.



Design Guide
106-109

Whitegoods reserves the right to change any information without prior notice.

Notes

- 1 Other lumen packages available, consult factory.
- 2 Wattage shown does not include power supplies/drivers. System wattage adds 10-20%.
- 3 Source lumens shown.
- 4 See power supply page for details.
- 5 See Tiger Drylac color chart: inter-lux.com/tiger
- 6 Plaster trim version includes white frame and gray cover.



4" ProTools DLX Adjustable Round Asymmetric Cone - Adjustable Beam

Asymmetric Cover For Minimum Beam Clipping
With Wider Angle Optics And Higher Angle Focusing

- 4" round downlight with 2" light aperture.
- Regressed aperture / lens position provides good glare control.
- 13-48 degree zoom.
- Open aperture.
- No light leak or view into ceiling void from below due to a unique light leak hood.
- Luminaire and driver installed and maintained from below the ceiling.
- Mounts in 1/16" to 1" surface.
- Tunable White and Warm Dim.
- Modular interchangeability throughout the entire ProTools range of products.
- Tilt 35°, rotation 365°, 144 step.

Housing Die-caste aluminum for precision fit and heat dissipation
Mounting hardware for all ceiling types; trim and trimless
EZ clip mounting for secure installation
Snap-in cover
Trimless housing with Quick-Snap feature allows endless multiple combinations without specialized housings

Covers Round asymmetric cone with minimal ceiling interruption

LED 90+ CRI
Low/Mid/High/Extra High output choices
2700K, 3000K, 3500K, 4000K
Tunable White from 1800K - 4000K
Warm Dim from 1800 - 3000K

Beam 13-48 degree beam spread (TIR Optic)

Driver Integral and remote drivers for all dimming and non-dimming applications
Through-wire integral driver enclosure installed from below without the need for bulky housing
POE driver compatibility

Installation Not required when using the Driver Enclosure

Housing Optional: IC and Chicago plenum
Optional: new construction (with j-box and driver attached)
Optional: Landing pan for use with Driver Enclosure to locate cut-out locations

Warranty 5-year Limited (see complete company warranty information)

Certifications ETL and ETL-C for dry and damp location, CE



Recessed Plaster Trim



Recessed Bezel Trim

4" ProTools DLX Adjustable Round Asymmetric Cone - Adjustable Beam

| Model | Fixation | Power ^{1,2} | CRI/ CCT ⁴ | Driver ⁵ | Cover | Lens | Beam | Finish ⁶ | Options |
|--------------|------------|--|---|------------------------------|-------|------|--------------|---------------------|----------------------|
| WG-100RPTDLX | RPT RBT | L M H XH TW WD ³ | 927 930 935 940 TW WD ³ | X S D010 PEQO TW | RAC | OA | 13-48 (Zoom) | W S ⁷ | LP CP IC WL |

Model

- WG-100SPTDLX = 4" ProTools DLX Adjustable

Fixation

- RPT = Recessed Plaster Trim
- RBT = Recessed Bezel Trim

Power^{1,2}

- L = Low Power, 5.7W @ 350mA
- M = Mid Power, 8.4W @ 500mA
- H = High Power, 12W @ 700mA
- XH = Extra High Power, 17.8W @ 1050mA
- TW = 9W @ 500mA
- WD = 0.4 - 11.8W @ 350mA³

CRI/CCT⁴

- 90+ CRI (Low/Mid/High/Extra High)
- 927 = 2700K, (720/999/1344/1884 lm)
- 930 = 3000K, (775/1075/1447/2027 lm)
- 935 = 3500K, (775/1075/1447/2027 lm)
- 940 = 4000K, (830/1151/1549/2171 lm)
- TW = Tunable White 1800 - 4000K, (610 - 1060 lm)
- WD = Warm Dimming 1800 - 3000K, (31 - 1150 lm)³

Driver⁵

- X = Remote driver, ordered separately
- S = Standard non-dim driver, 120-277V
- D010 = EldoLED, 1%, 0-10V Driver, 120-277V
- PEQO = Lutron Hi-lume Premier 0.1% EcoSystem, SoftOn/FadeToBlack, 120-277V
- TW = EldoLED, 0.1%, DALI dimming (TW), 120-277V

Cover

- RAC = Round Asymmetric Cone

Lens

- OA = Open Aperture

Beam

- 13-48 = 13-48° Beam Angle (Zoom) (TIR Optic)

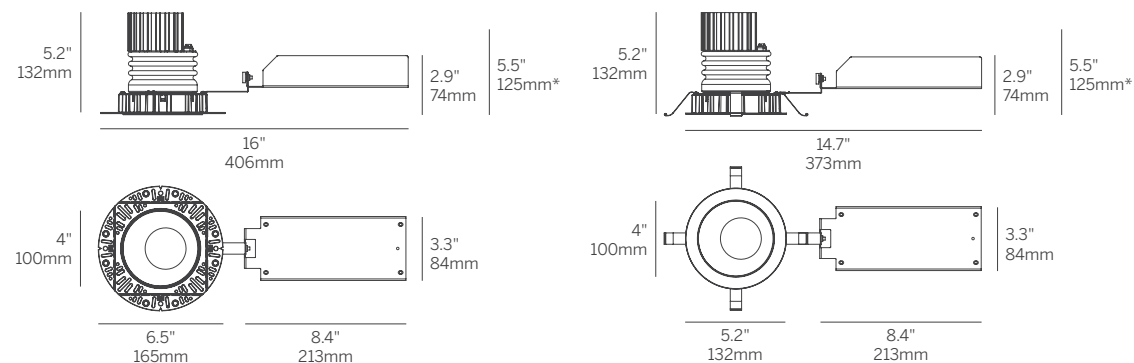
Finish⁶

- W = White, 15% gloss, Tiger Drylac 49/11350 (standard)
- S = Silver, 15% gloss, Tiger Drylac49/90500⁷

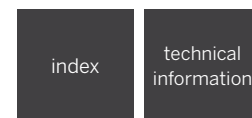
Options

ProTools downlights require no additional options kits for remodel & new construction

- LP = Landing Pan (specify for Acoustic Ceiling Tile installation)
- CP = Chicago Plenum Housing
- IC = IC/NC Housing



*Minimum of 5.5" (127mm) ceiling void is required to install the integral driver from below the ceiling.



Design Guide
106-109

Whitegoods reserves the right to change any information without prior notice.

Notes

- Other lumen packages available, consult factory.
- Wattage shown does not include power supplies/drivers. System wattage adds 10-20%.
- Source lumens shown.
- See power supply page for details.
- See Tiger Drylac color chart: inter-lux.com/tiger
- Plaster trim version includes white frame and gray cover.



Design Guide

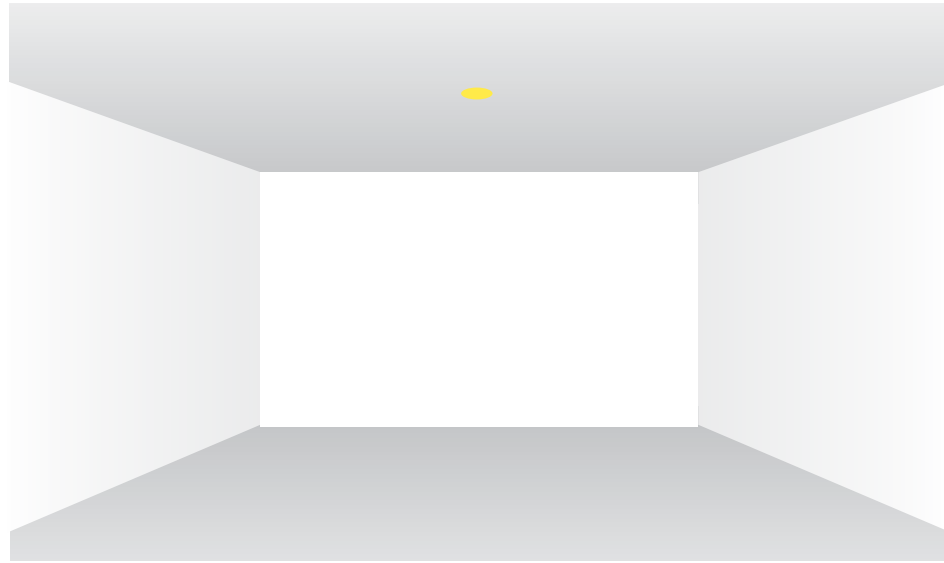
We have provided performance data and characteristics for Whitegoods luminaires, as well as providing expected light levels for typical scenarios based on set parameters. The results are intended as a handy reference to help the specifier plan their project quickly, efficiently and with confidence.

We have taken the most common uses of each luminaire type, set distances and heights based on typical situations and calculated the results. Then, we vary the parameters a little either way so that you can decide for yourself the best option for your particular requirement.



4" ProTools Single Downlight - Performance

WG 100SPTD, WG 100RPTD, WG 100SPTDL, WG 100RPTDL, WG 100SPTDLX, WG 100RPTDLX



The ProTools series offers Plaster Trim and Bezel Trim fixed, wall wash and adjustable downlights with various cover options and accessories creating a flexible and versatile range of luminaires with a single consistent minimal appearance throughout.

A downlight can be used to deliver general light over a broad area, or a focused beam of concentrated light. Suitable for general area lighting in single units, grid patterns or groups as well as focused lighting and task oriented application.

This design guide provides the average light levels and beam spread which can be expected at task and floor level from a single downlight at the ceiling heights shown, and relative to the performance of each luminaire.

Refer to the diagram on the left, select your luminaire, ceiling height and distance, and read off the light level achieved in the table below.

Calculated on the following basis:

Reflectances

Ceiling 70%
Walls 50%
Floor 20%

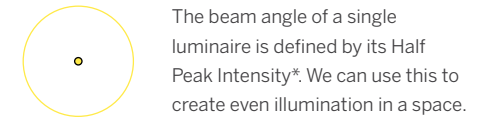
Maintenance factor

1.0

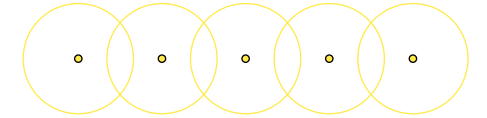
LED

High Power
3000 Kelvin
90 CRI

How to create 'Even Illumination' in a space:

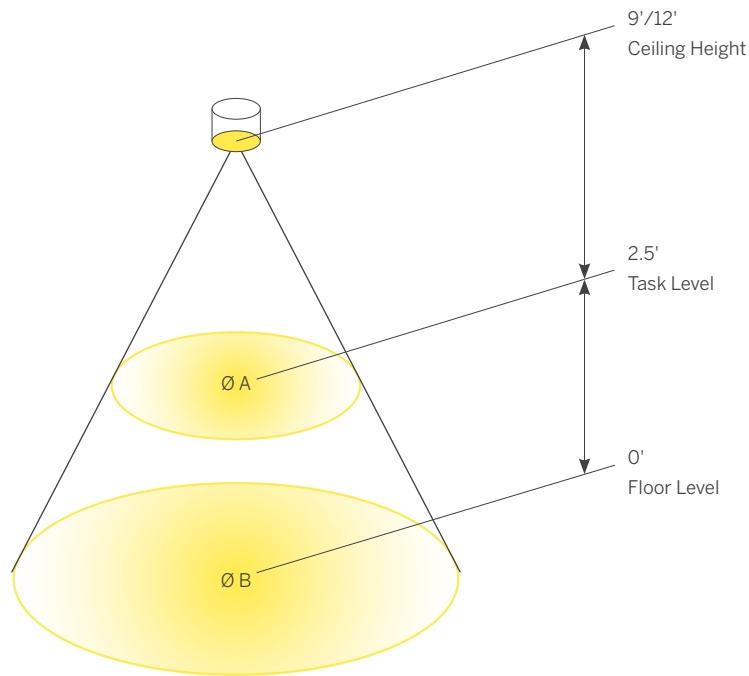


Arrange luminaires equally. Use the center of the luminaire as a base and ensure that neighboring beam spreads touch or slightly overlap.



*The point at which the beam reaches half of the intensity relative to the center of its beam.

Average Light Levels



The diagram shows the average light level achieved, across an area the size shown, at the given distance from a single luminaire.

| Product Code | Beam Spread |
|----------------------------|---------------------------------|
| WG 100SPTD, WG 100RPTD | - 90° |
| WG 100SPTDL, WG 100RPTDL | - 16° - 32° - 41° |
| WG 100RPTDLX, WG 100RPTDLX | - 16° - 32° - 41° - 8° |

Calculation Results

| Fixtures | Power | Beam | Accessory | Ceiling Height | Ø A | Task Level (2.5') Average | Ø B | Floor Level (0') Average |
|--|---------|-------|---------------------|----------------|--------|---------------------------|--------|--------------------------|
| WG 100SPTD, WG 100RPTD | 1512lm* | 90° | Flush Lens | 9.0' | Ø 13' | 6.4 fc | Ø 18' | 3.7 fc |
| | | | | 12.0' | Ø 19' | 3.1 fc | Ø 24' | 2.1 fc |
| WG 100SPTDL, WG 100RPTDL, WG 100SPTDLX, WG 100RPTDLX | 2027lm* | 16° | Open Aperture | 9.0' | Ø 1.8' | 102 fc | Ø 2.5' | 54 fc |
| | | | | 12.0' | Ø 2.7' | 49 fc | Ø 3.4' | 31 fc |
| | | | | 9.0' | Ø 4.2' | 33 fc | Ø 5.8' | 18 fc |
| 12.0' | Ø 6.2' | 16 fc | Ø 7.8' | | | | | |
| 9.0' | Ø 5' | 24 fc | Ø 6.7' | 13 fc | | | | |
| | | | | | 12.0' | Ø 7.1' | 12 fc | Ø 8.9' |
| WG 100SPTDLX, WG 100SPTDLX | 1638lm* | 8° | Glare Shield/ Snoot | 9.0' | Ø 0.9' | 277 fc | Ø 1.2' | 149 fc |
| | | | | 12.0' | Ø 1.3' | 132 fc | Ø 1.7' | 82 fc |

Values in Foot Candles

4" ProTools D Downlight All Covers

Product Details 32-43

4" ProTools DL Downlight All Covers

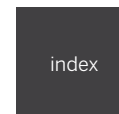
Product Details 44-51

4" ProTools DL Adjustable All Covers

Product Details 52-63

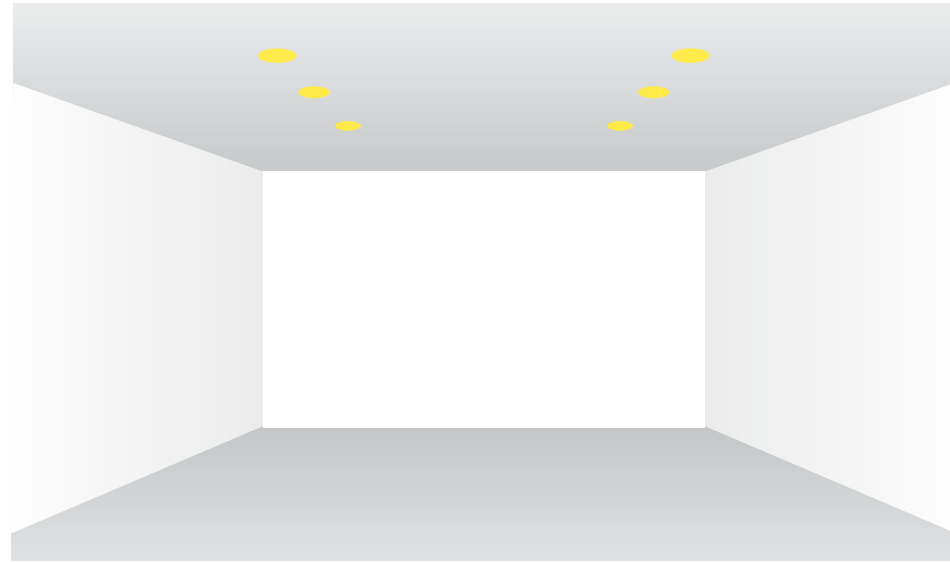
4" ProTools DLX Adjustable All Covers

Product Details 68-103



4" ProTools Multiple Downlight - Grid Set Out

WG 100SPTD, WG 100RPTD, WG 100SPTDL, WG 100RPTDL, WG 100SPTDLX, WG 100RPTDLX



Plaster Trim and Bezel Trim fixed, wall wash and adjustable downlights with various cover options and accessories creating a flexible and versatile range of luminaires with a single consistent minimal appearance throughout.

A downlight can be used to deliver general light over a broad area, or a focused beam of concentrated light. Suitable for general area lighting in single units, grid patterns or groups as well as focused lighting and task oriented application.

This design guide provides the average light levels which can be expected at floor level from a grid of downlights at the ceiling heights shown, and relative to the performance of each luminaire.

Refer to the diagram on the left, select your luminaire, ceiling height and set out, and read off the light level achieved in the table below.

Calculated in a 20'x20' room size and on the following basis:

Reflectances

Ceiling 70%
Walls 50%
Floor 20%

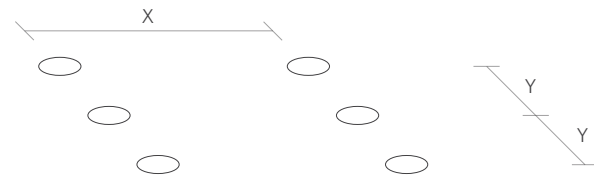
Maintenance factor

1.0

LED

High Power
3000 Kelvin
90 CRI

Light Levels



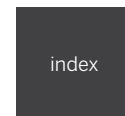
The diagram and table can be read to establish light levels achieved when luminaires are set out at the dimensions indicated, at the ceiling heights shown.

| Product Code | Beam Spread |
|----------------------------|----------------|
| WG 100SPTD, WG 100RPTD | - 90° |
| WG 100SPTDL, WG 100RPTDL | - 32° - 41° |
| WG 100SPTDLX, WG 100RPTDLX | - 32° - 41° |

X = luminaire spacing center to center
Y = distance between rows

Calculation Results

| Fixtures | Power | Beam | Accessory | Ceiling Height | Y | X | | |
|---|---------|------|---------------|----------------|------|---------------------------|------|------|
| | | | | | | Average Light Levels (fc) | | |
| | | | | | | 4.0' | 6.0' | 8.0' |
| WG 100SPTD, WG 100RPTD | 1512lm* | 90° | Flush Lens | 9.0' | 4.0' | 46 | 38 | 34 |
| | | | | | 6.0' | 38 | 32 | 28 |
| | | | | | 8.0' | 34 | 28 | 25 |
| | | | | 12.0' | 4.0' | 35 | 30 | 27 |
| | | | | | 6.0' | 30 | 27 | 23 |
| | | | | | 8.0' | 27 | 23 | 21 |
| WG 100SPTDL, WG 100RPTDL, WG 100SPTDLX, WG 100RPTDLX | 2027lm* | 32° | Open Aperture | 9.0' | 4.0' | 33 | 32 | 29 |
| | | | | | 6.0' | 32 | 30 | 28 |
| | | | | | 8.0' | 30 | 28 | 26 |
| | | | | 12.0' | 4.0' | 30 | 29 | 27 |
| | | | | | 6.0' | 29 | 28 | 26 |
| | | | | | 8.0' | 27 | 26 | 24 |
| | | 41° | Open Aperture | 9.0' | 4.0' | 32 | 31 | 28 |
| | | | | | 6.0' | 30 | 29 | 27 |
| | | | | | 8.0' | 28 | 27 | 25 |
| | | | | 12.0' | 4.0' | 29 | 28 | 25 |
| | | | | | 6.0' | 28 | 26 | 24 |
| | | | | | 8.0' | 25 | 24 | 22 |

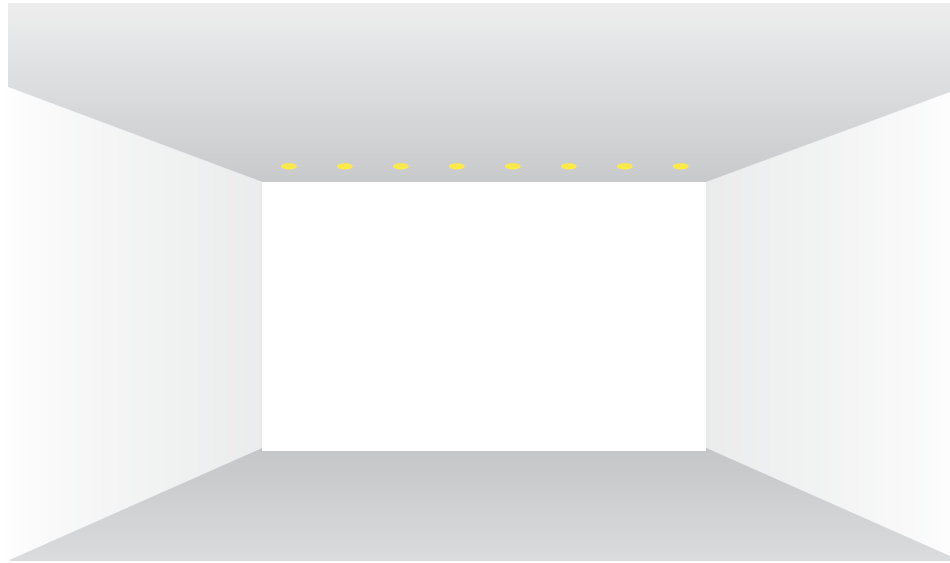


Values in Foot Candles

| 4" ProTools D Downlight All Covers | 4" ProTools DL Downlight All Covers | 4" ProTools DL Adjustable All Covers | 4" ProTools DLX Adjustable All Covers |
|---------------------------------------|--|---|--|
| Product Details 32-43 | Product Details 44-51 | Product Details 52-63 | Product Details 68-103 |

4" ProTools D Downlight - High Angle Illumination

WG 100SPTD, WG 100RPTD

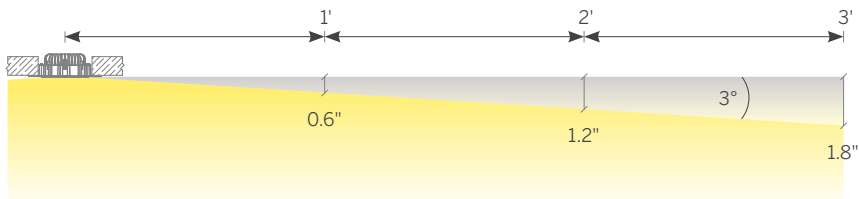


The ProTools D is a versatile luminaire with various trim, diffuser and cover options. When specified with a flush Satin Opal Diffuser, it has excellent high angle lighting performance. Although it is not intended as a dedicated wall wash luminaire, it can provide excellent illumination to nearby vertical surfaces as well as providing excellent ambient light throughout a space.

In this Design Guide, we provide you with all the information you need to work out exactly how much light can expect to deliver to a wall and floor below, relative to the distance from the surface and the center to center spacings of the luminaires.

Angle of Illumination / High Angle Lighting Performance

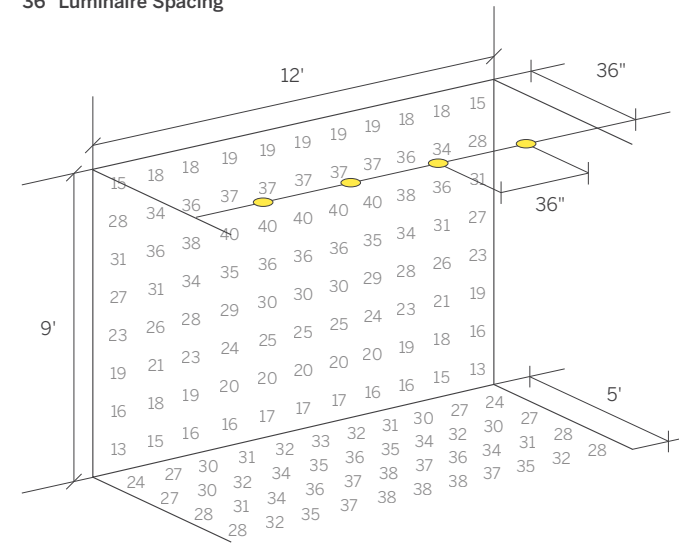
WG 100SPTD, WG 100RPTD



The diagrams show the point at which the contrast between the lit and the unlit perpendicular surface occurs as a soft transition line, at various distances from the luminaire.

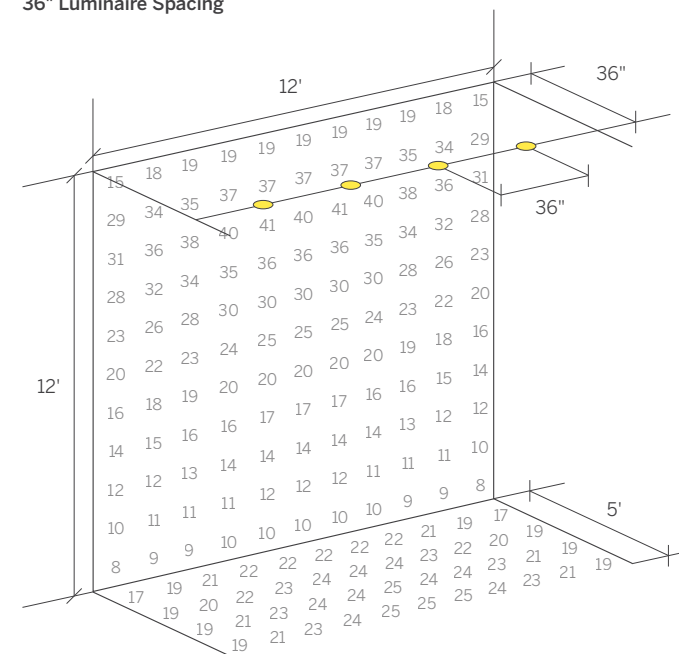
Values in feet & inches

9' Ceiling, Typical 36" Offset, 36" Luminaire Spacing



This page shows typical offsets and luminaire spacings and the resulting illumination which can be expected on the wall and floor. The following page shows results at different offsets and luminaire spacings.

12' Ceiling, Typical 36" Offset, 36" Luminaire Spacing



Values in Foot Candles

Calculated on the following basis:

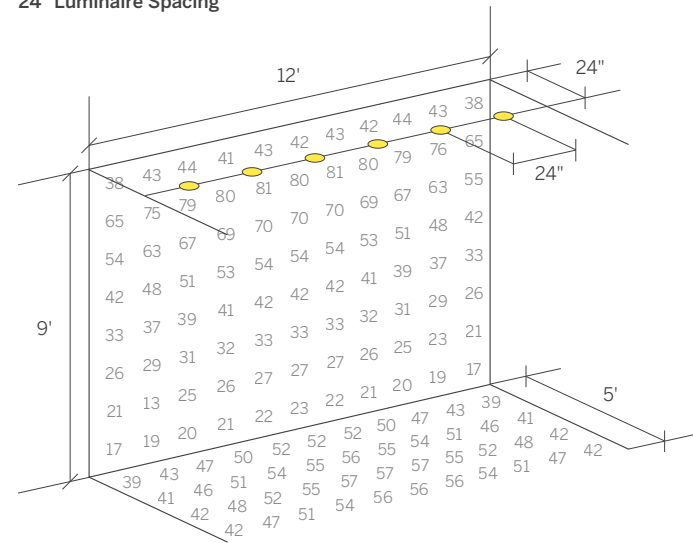
| Reflectances | Maintenance Factor | LED | Diffuser |
|--------------|--------------------|---------|----------------------------------|
| Ceiling 70% | 1.0 | 1512lm* | Custom Micro-Prismatic Wash Lens |
| Walls 50% | | | |
| Floor 20% | | | |

| | | |
|-------|---|-------|
| index | 4" ProTools D Downlight All Covers | |
| | Product Details | 32-43 |

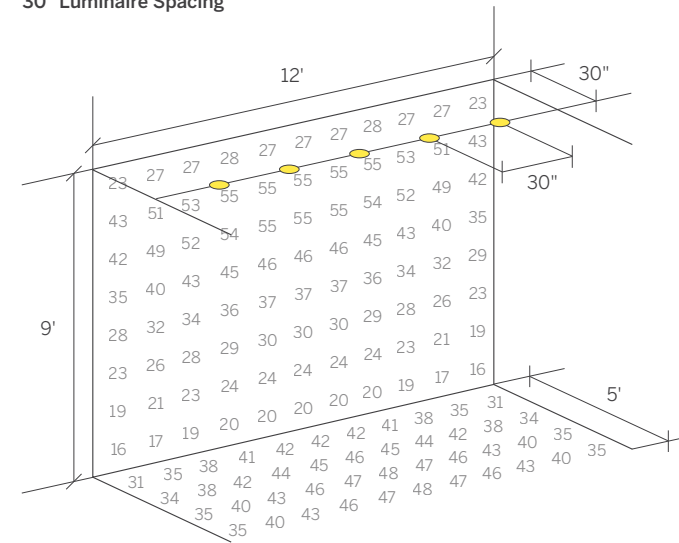
4" ProTools D Downlight - High Angle Illumination

WG 100SPTD, WG 100RPTD

9' Ceiling, Optimal 24" Offset,
24" Luminaire Spacing

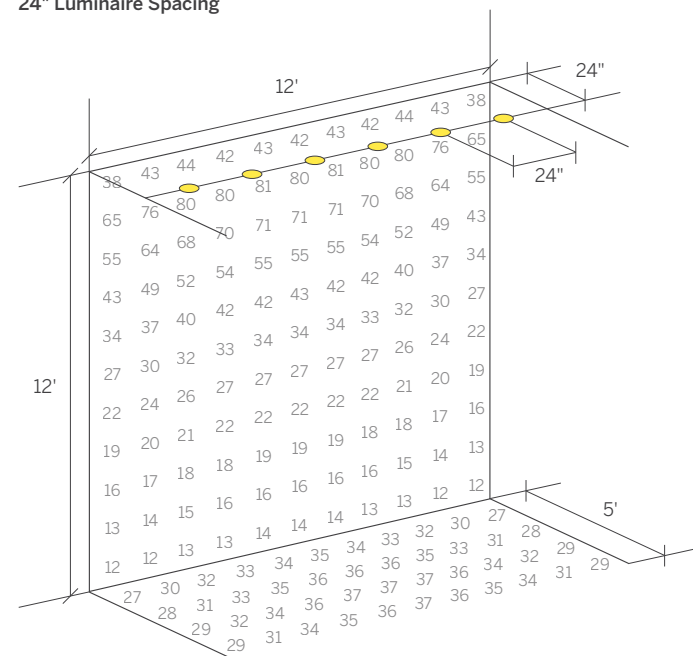


9' Ceiling, Optimal 30" Offset,
30" Luminaire Spacing

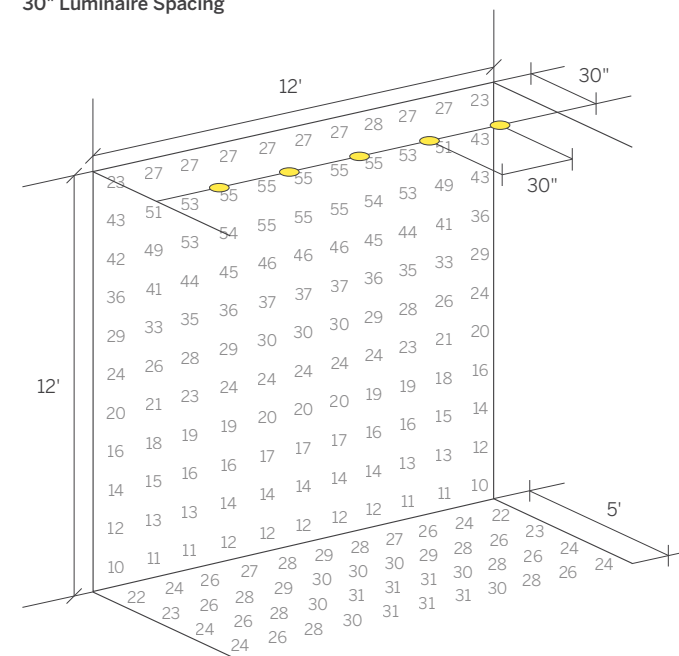


This page shows what we feel are the optimal offsets and luminaire spacings to achieve even illumination.

12' Ceiling, Optimal 24" Offset,
24" Luminaire Spacing



12' Ceiling, Optimal 30" Offset,
30" Luminaire Spacing

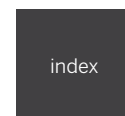


Values in Foot Candles

Values in Foot Candles

Calculated on the following basis:

| Reflectances | Maintenance Factor | LED | Diffuser |
|--------------|--------------------|---------|------------------------|
| Ceiling 70% | 1.0 | 1512lm* | Custom Micro-Prismatic |
| Walls 50% | | | Wash Lens |
| Floor 20% | | | |

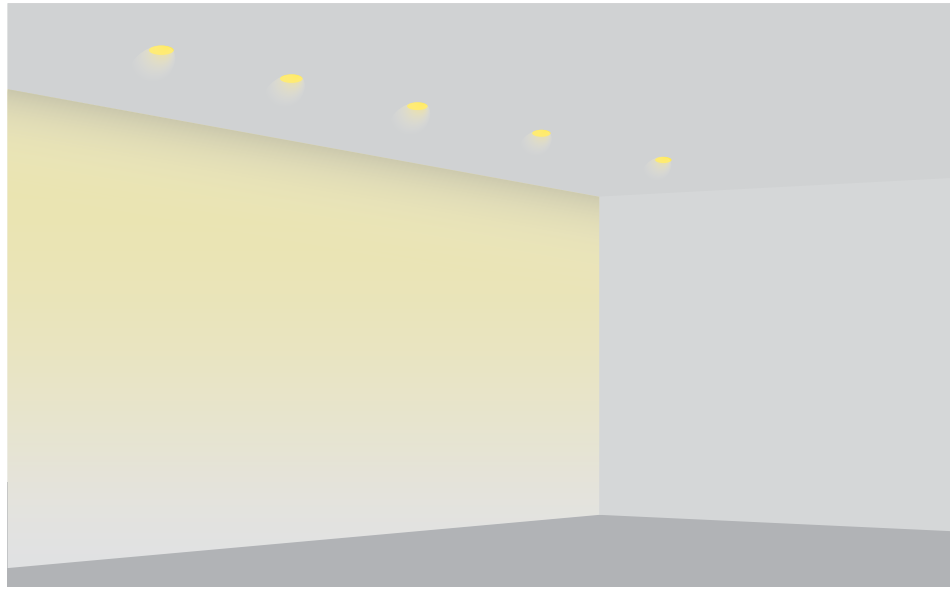


4" ProTools D Downlight
All Covers

Product Details 32-43

4" ProTools DL Wall Wash

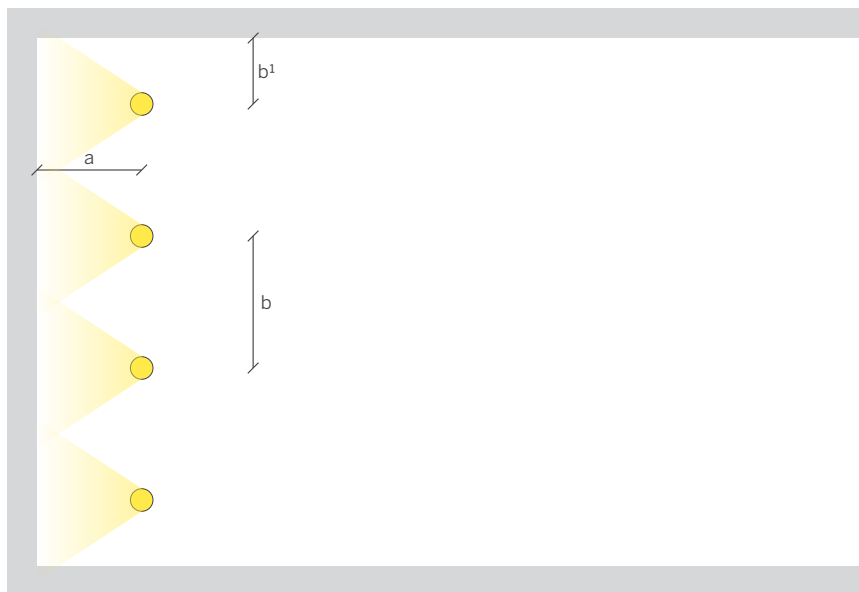
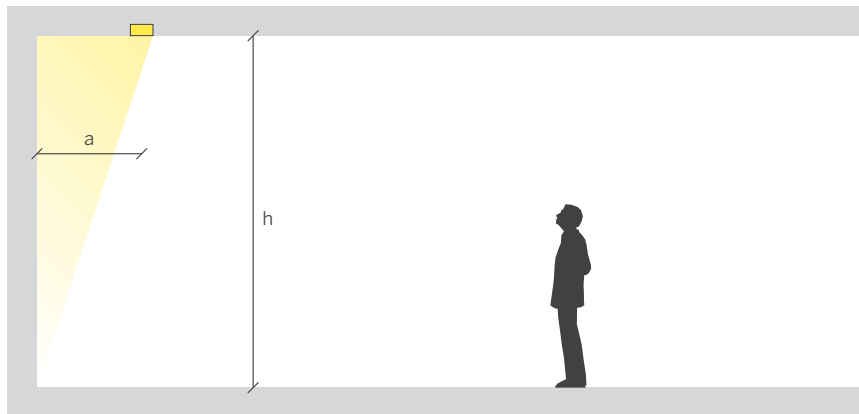
WG 100SPTDLWW-RPT, WG 100SPTDLWW-RBT, WG 100RPTDLWW-RPT, WG 100RPTDLWW-RBT



ProTools DL Wall Wash offers round and square dedicated wall wash luminaires for even illumination of a surface. They emit a wide, even beam of light which is directed towards the wall. Washlights need to be correctly positioned, both in terms of distance from the wall, and their relative distance to one another. This guide will help you get the best result.

The golden rule is 1:1 spacing between luminaires, set to match the distance they are offset from the surface to be lit. And that offset distance should ideally be one third of the overall surface height.

Of course, at Whitegoods we understand that constraints of modern construction requirements and commercial consideration mean that it is not always practical to apply these parameters. Therefore we have designed our wall wash luminaires to work as well as possible even when mounted close to the wall.



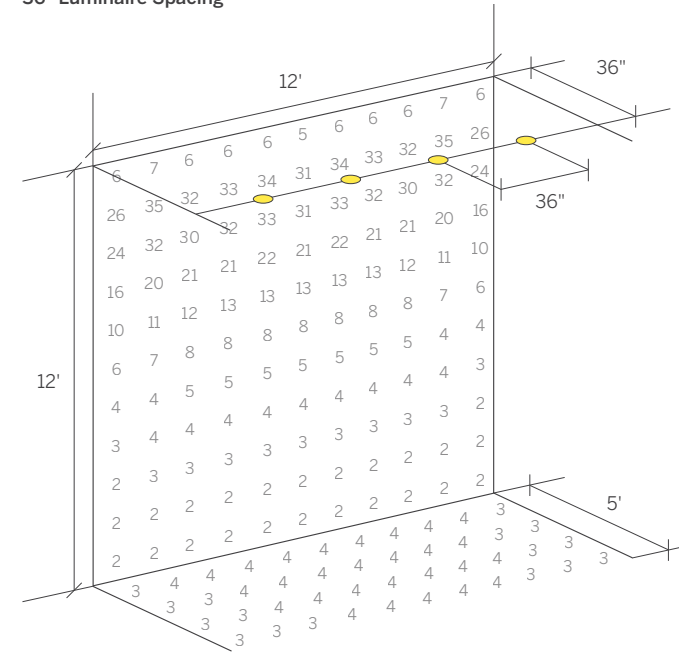
The height of the wall to be lit (h) will determine the best distance at which to position wall wash luminaires. A good 'rule of thumb' is to offset them by approximately one third of the wall height.

For optimum wall washing results use a 1:1 ratio between the offset (a) from the wall and the 'on center' luminaire spacings (b).

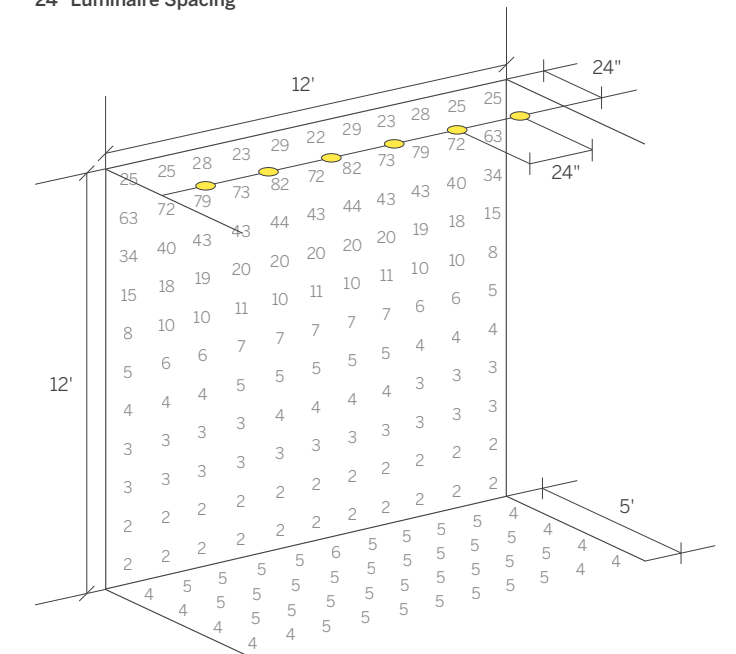
e.g. - if the wall is 9' high, then the luminaires will ideally be 3' away from the wall surface, so set them out at 3' on center - i.e. with 3' between each luminaire.

Also, where the wall meets an adjacent surface, space the last luminaire half the set out distance (b¹).

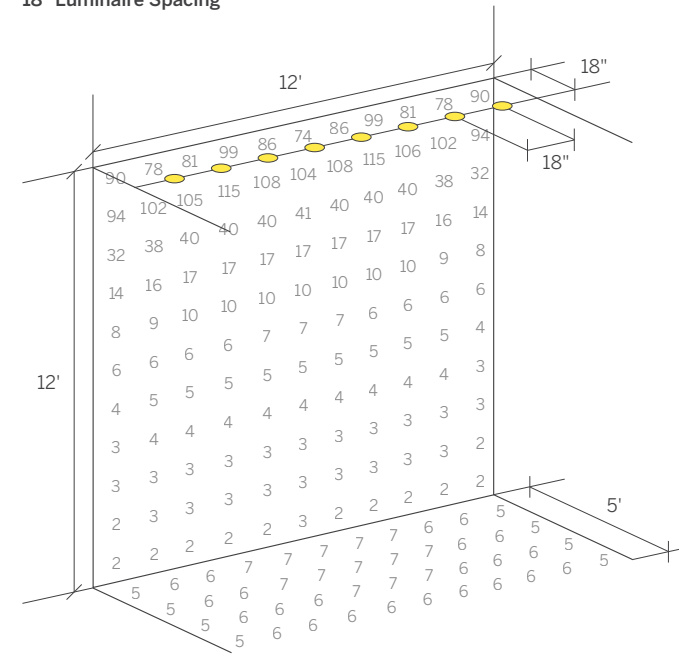
12' Ceiling, 36" Offset, 36" Luminaire Spacing



12' Ceiling, 24" Offset, 24" Luminaire Spacing



12' Ceiling, 18" Offset, 18" Luminaire Spacing



Values in Foot Candles

Calculated on the following basis:

| Reflectances | Maintenance Factor | LED | Diffuser |
|--------------|--------------------|-------------|----------------------------------|
| Ceiling 70% | 1.0 | 2027lm* | Custom Micro-prismatic wash lens |
| Walls 50% | | 3000 Kelvin | |
| Floor 20% | | 90 CRI | |

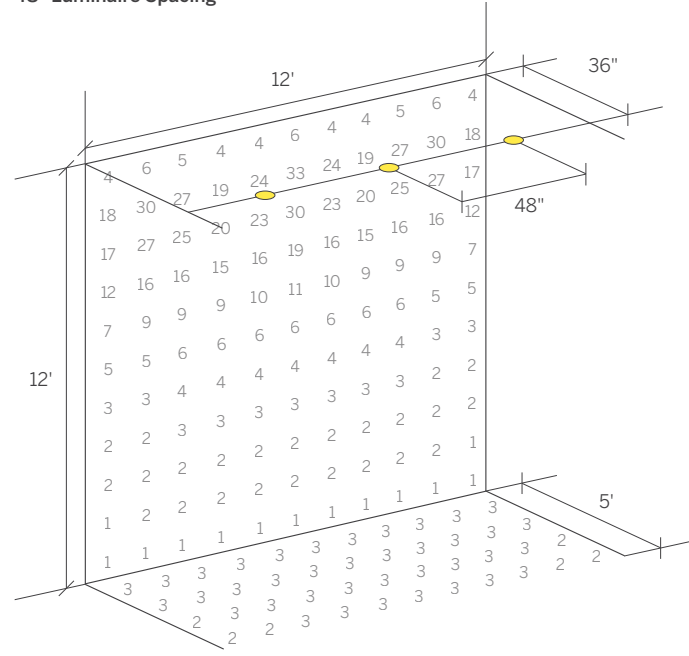
This page shows what we feel are the optimal offsets and luminaire spacings to achieve even illumination. The following page shows results at different offsets and luminaire spacings.

| | | |
|-------|--------------------------|-------|
| index | 4" ProTools DL Wall Wash | |
| | All Covers | |
| | Product Details | 64-67 |

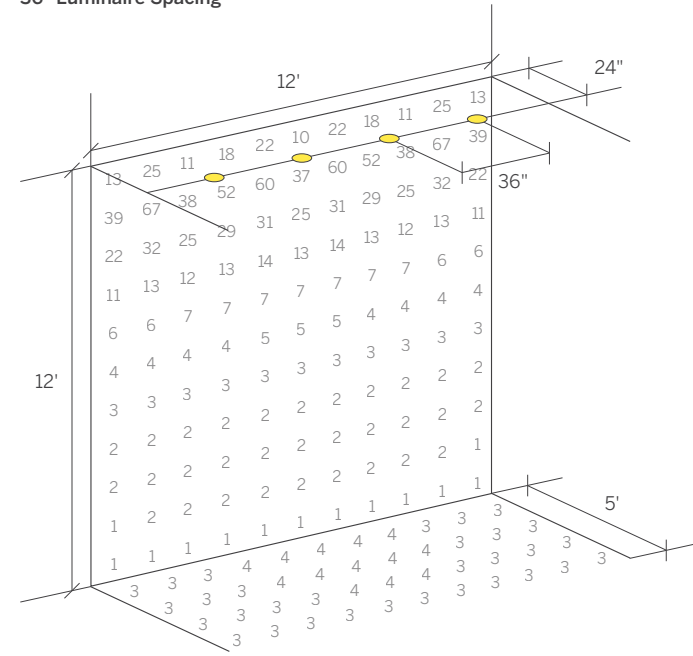
4" ProTools DL Wall Wash

WG 100SPTDLWW-RPT, WG 100SPTDLWW-RBT, WG 100RPTDLWW-RPT, WG 100RPTDLWW-RBT

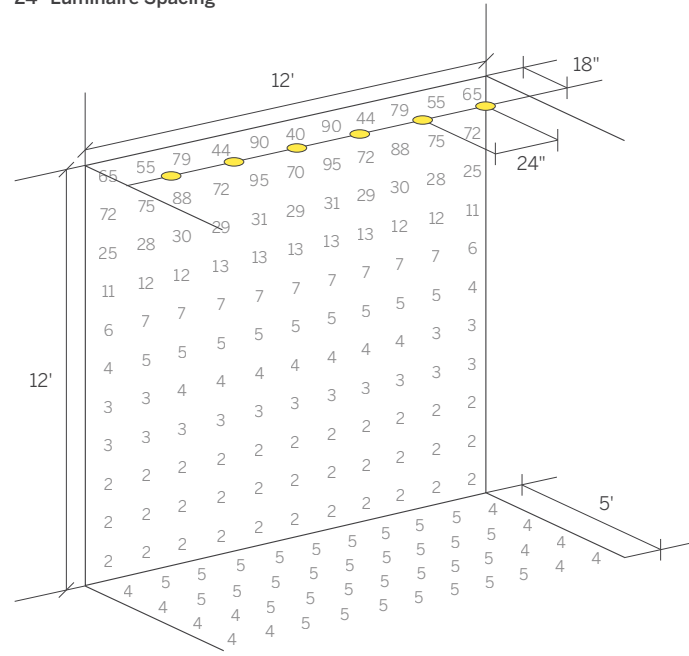
12' Ceiling, 36" Offset,
48" Luminaire Spacing



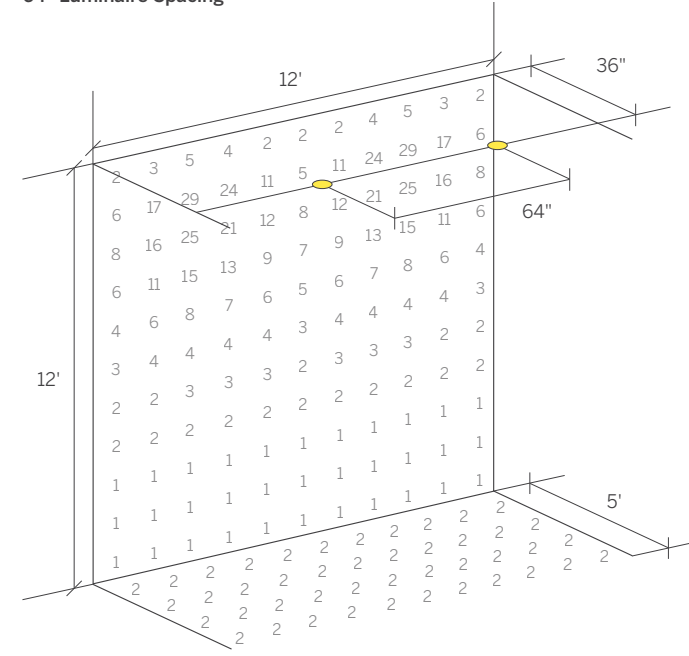
12' Ceiling, 24" Offset,
36" Luminaire Spacing



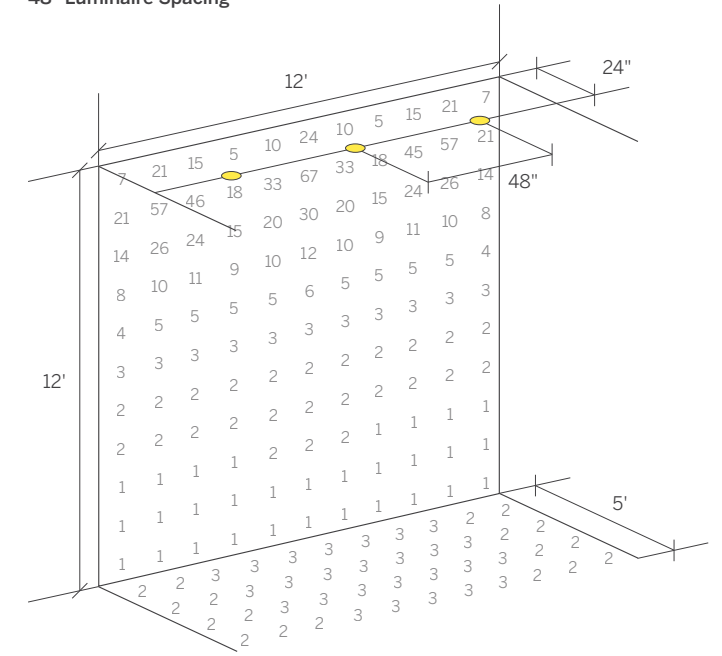
12' Ceiling, 18" Offset,
24" Luminaire Spacing



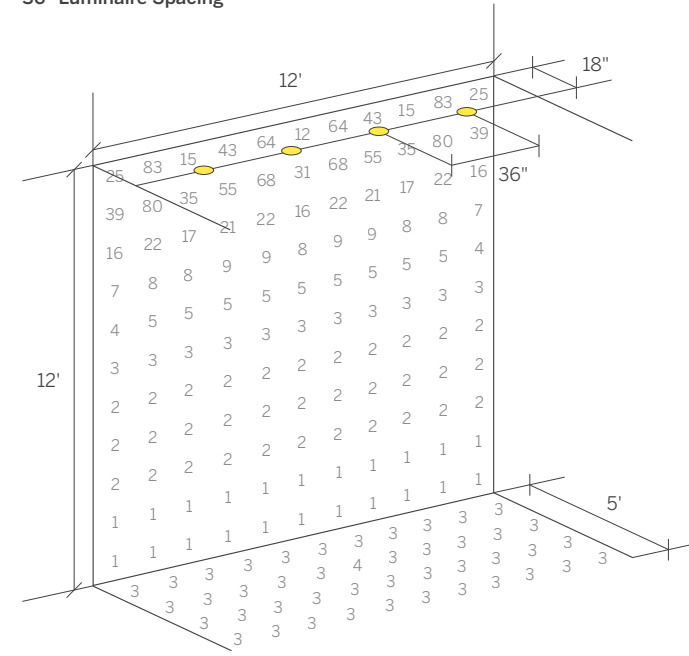
12' Ceiling, 36" Offset,
64" Luminaire Spacing



12' Ceiling, 24" Offset,
48" Luminaire Spacing



12' Ceiling, 18" Offset,
36" Luminaire Spacing



Values in Foot Candles

Values in Foot Candles

Calculated on the following basis:

| Reflectances | Maintenance Factor | LED | Diffuser |
|--------------|--------------------|-------------|----------------------------------|
| Ceiling 70% | 1.0 | 2027lm* | Custom Micro-prismatic wash lens |
| Walls 50% | | 3000 Kelvin | |
| Floor 20% | | 90 CRI | |

| 4" ProTools DL Wall Wash All Covers | |
|--|-------|
| Product Details | 64-67 |

Photo Credits

page inside cover-1, 14, inside back cover

project Robert L. Bogomolny Library
location Baltimore, MD
architect Behnisch Architekten
lighting design MCLA
photography David Mattiessen Photography

page 2-3

project Lake Anna Residence
location Lake Anna, VA
architect Perkins+Will
lighting design Jeff Davenport
photography Dan Cunningham

page 10-11

project BMW Paris George V
location Paris, France
architect Carbondale
lighting design Mindseye
photography Roland Halbe

page 5, 19, 22-23, 26-27, 105

project Rockville Town Center
location Rockville, MD
architect R2L:Architects, PLLC
photography Steve Lerum, Inter-lux

page 20

project NCARB
location Washington, DC
architect OTJ Architects
photography Trent Bell



The application of light to the surfaces around us is a critical factor in our perception of any space.

When proper consideration is given to the architecture, function and the desired atmosphere, lighting can become a truly integrated part of the overall environment being created, often unseen although defining and enhancing the space.