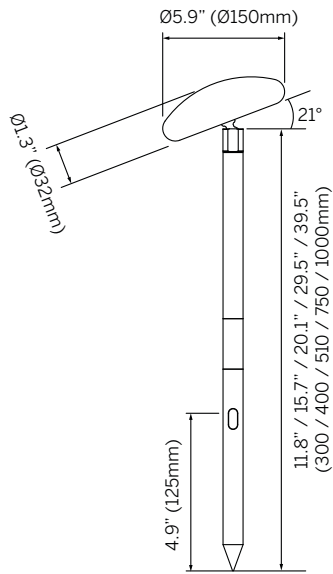
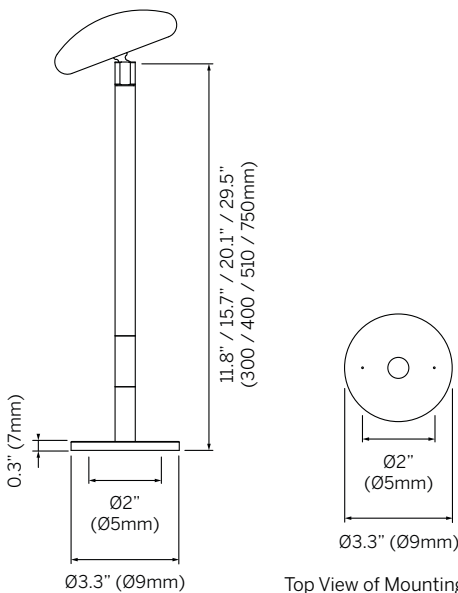




Ground Spike (GS)



Mounting Plate (MP)



Top View of Mounting Plate

Luminaire

- IP66 rated friction lockable luminaire for lighting outdoor spaces.
- Adjustable convex shaped head to offer soft, directional downward light to outdoor spaces such as shrubbery and landscapes. Ideal for use as subtle path illumination.
- Available with ground spike or mounting plate.
- Precision machined from 70 - 90% recycled aluminum.
- 95+ CRI, multiple CCTs available.

Height

- 12 = 11.8" (300mm)
- 16 = 15.7" (400mm)
- 20 = 20.1" (510mm)
- 30 = 29.5" (750mm)
- 40 = 39.4" (1000mm)¹

Mounting

- GS = Ground Spike
- MP = Mounting Plate

Power²

- 6 = 6W (543lm initial at 700mA, 8.6Vf)

CCT (95+ CRI)^{3,4}

- 927 = 2700K
- 930 = 3000K
- 935 = 3500K
- 940 = 4000K

Beam

- DB = Diffused Beam

Finish

- CB = Classic Bronze 34
- W = Pure White RAL9010
- BL = Matte Black, RAL9005
- CF = Custom finish, specify RAL

Remote Driver⁵

- ECO30W-700 = 0-10V EldoLED ECOdrive 30W for 1-3 fixtures
- SOLO50W-700 = 0-10V EldoLED SOLOdrive 50W for 1-6 fixtures
- SOLO100W-700 = 0-10V EldoLED SOLOdrive 100W for 1-12 fixtures

1. Ground Spike (GS) only.
2. Wattage shown is for LED only, system wattage varies depending on driver selected.
3. See photometric data sheet for delivered lumens.
4. Custom red and amber CCTs available.
5. See driver information for details.

Ordering Information

Model	Height	Mounting	Power ²	CRI/CCT ^{3,4}	Beam	Finish	+	Driver ⁵
MS-AM			6		DB			
MS-AM	12 16 20 30 40 ¹	GS MP	6	927 930 935 940	DB	CB W BL CF		ECO30W-700 SOLO50W-700 SOLO100W-700

