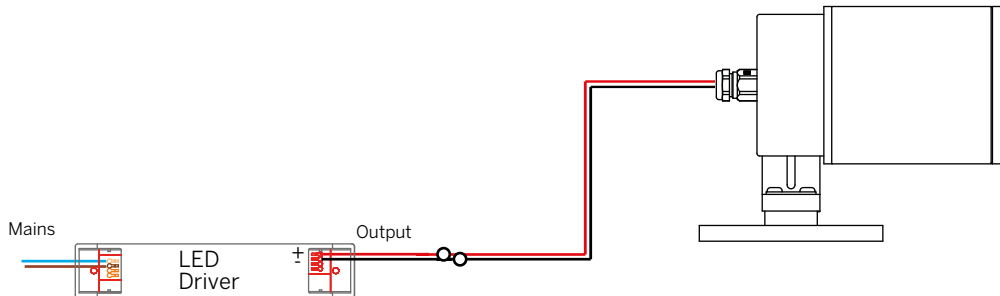


Wiring

Series Wiring

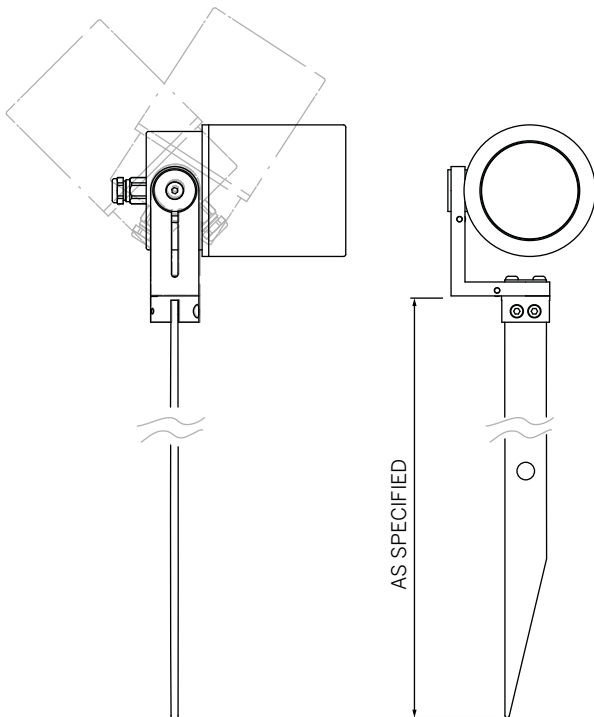


Note that while constant current light sources can be wired in series, the number of fittings that can be wired in series is limited by the forward voltage and wattage of the LED.

IP68 connectors recommended. Driver specified separately.

Details

Ground Spike



Tree Strap

