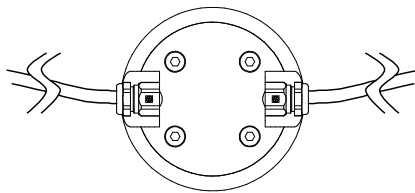
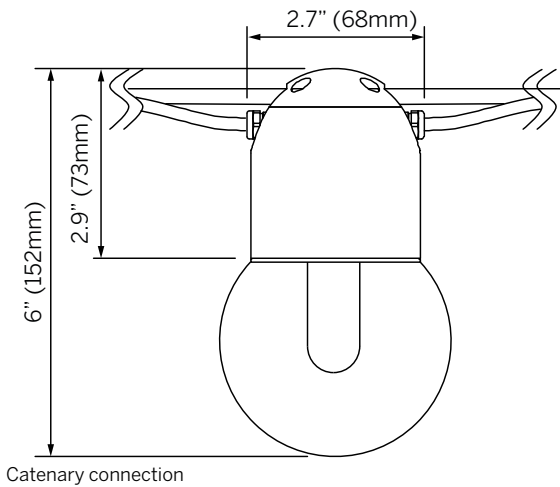


Mini G-Cat



Luminaire

- IP66 rated miniature catenary mounted luminaire.
- Suitable for lighting outdoor public spaces, pathways and more intimate hospitality and high end residential applications.
- Polished acrylic globe with internally frosted diffuser.
- Suitable for 0.2" - 0.24" (5 - 6mm) stainless steel catenary cable suspensions secured via integrated top cap and clamp system.¹
- Precision machined from 70 - 90% recycled aluminum.
- General illumination using Ø3.5" (Ø90mm) acrylic globe with Ø1.4" (Ø35mm) integral bore.
- LED 95+ CRI, multiple CCTs available.
- 5 Year warranty.

Mounting¹

- CAT = Suspended catenary system

Power²

- M = Mid Power, 6W (724lm initial at 700mA, 8.4Vf)

CCT (90+ CRI)³

- 927 = 2700K
- 930 = 3000K
- 935 = 3500K
- 940 = 4000K

Beam

- GE = General illumination

Finish

- CA = Clear anodized
- BL = Matte black
- CF = Custom finish, specify RAL

Remote Driver⁴

- ECO30W-700 = 0-10V EldoLED ECOdrive 30W for 1-3 fixtures
- SOLO50W-700 = 0-10V EldoLED SOLOdrive 50W for 1-6 fixtures
- SOLO100W-700 = 0-10V EldoLED SOLOdrive 100W for 1-12 fixtures

1. See page 3 for system specification.
 2. Wattage shown is for LED only, system wattage varies depending on driver selected.
 3. See photometric data sheet for delivered lumens.
 4. See driver information for details.

Ordering Information

Model	Mounting ¹	Power ²	CRI/ CCT ³	Beam	Finish	+	Driver ⁴
MS-MGC	CAT	M	927 930 935 940	GE	CA BL CF		ECO30W-700 SOLO50W-700 SOLO100W-700