

Installation Instructions

Luminaires must be installed by a qualified electrician. Check with local and national codes for proper installation.

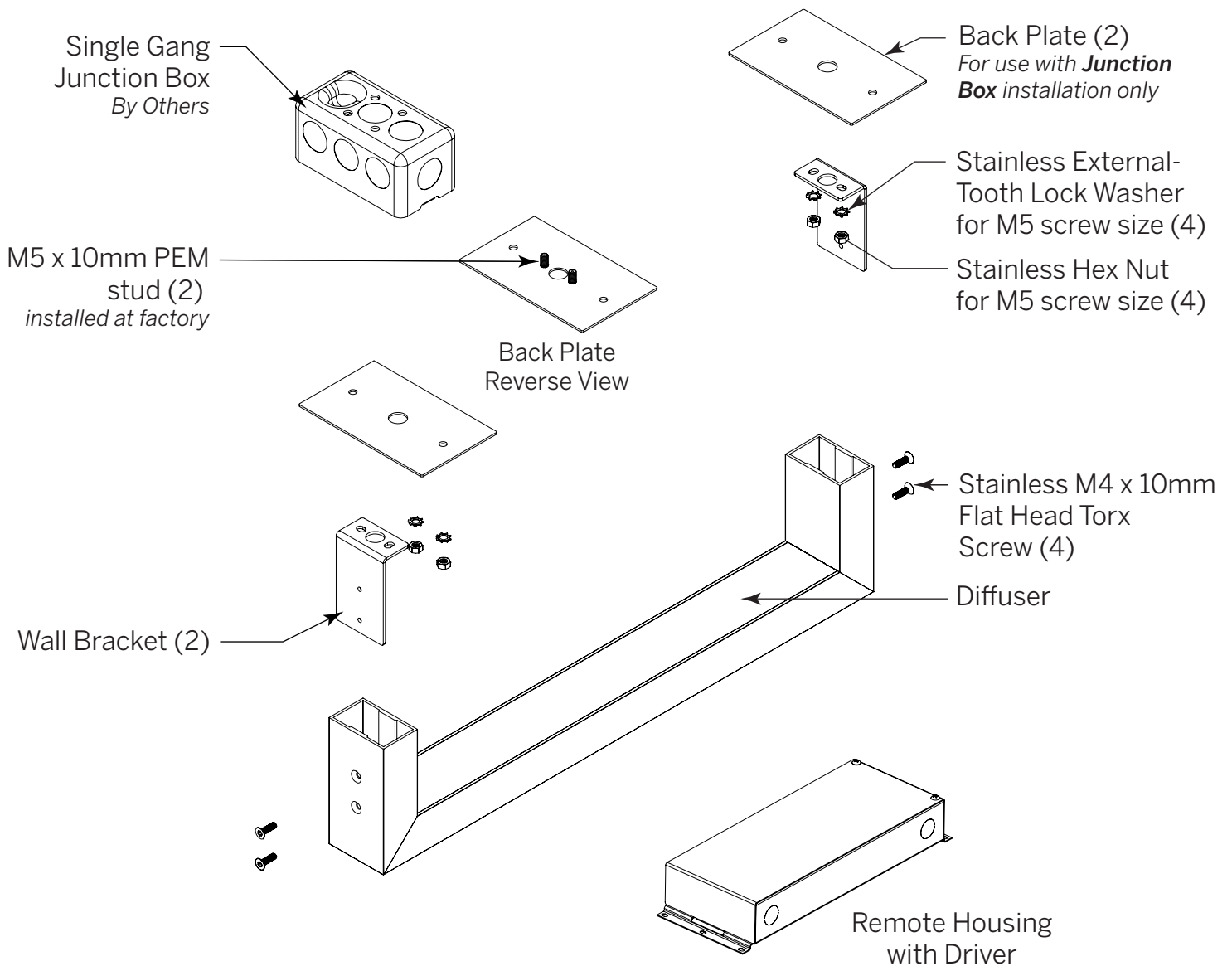


To prevent electrical shock disconnect electrical supply before installation or servicing.
Never connect a live fixture!!!

Contractor is responsible for adequately reinforcing walls and/or ceilings to support fixture weight. Provide blocking when necessary.

Step 1 - Open the Box

Unpack luminaire unit. Luminaires for Indoor Installation with a Junction Box are shipped with Backplates. Remote drivers and housings are supplied by Inter-lux.

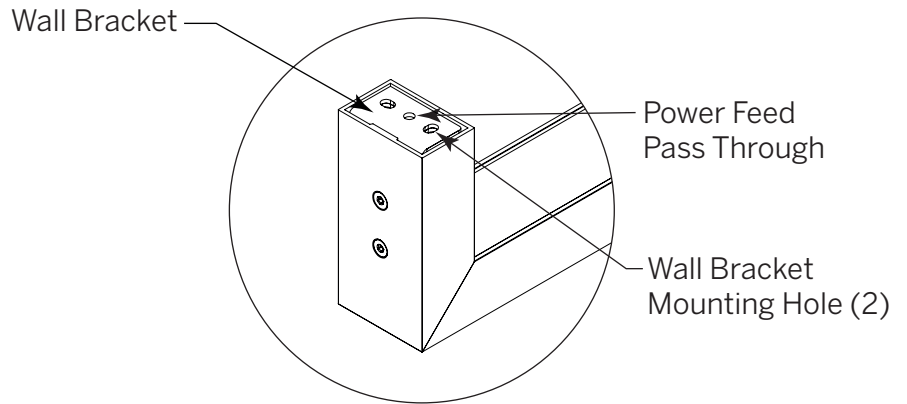
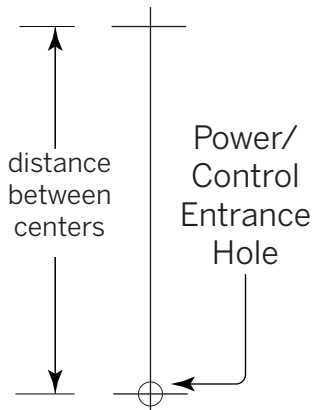


Installation Instructions

Incoming power feed (and control) cables may enter on either side of fixture. Determine the appropriate side for your installation and apply directions accordingly.

Step 2 - Surface Prep - Indoor Installation

- a** Measure distance between centers of Surface Brackets. Locate and draw centerline of fixture on surface. Ensure that centerline is straight, level, and/or plumb.
- b** Determine at which end power (and control) cables will enter. Drill an appropriate sized hole at that location.



- c** Pull Power (and Control) wires through hole.

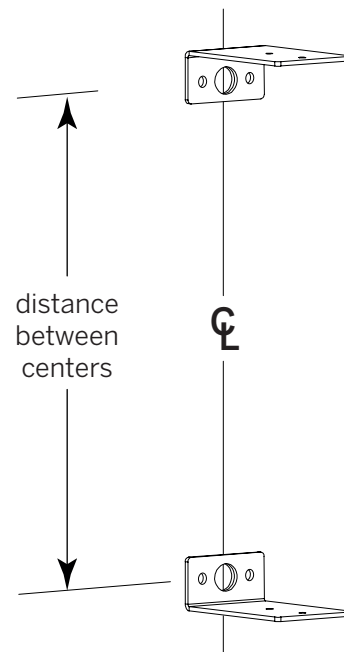
To continue installation instructions for use **with** a Junction Box, skip to **Step 4**

Step 3 - Mounting and Wiring - Indoor Installation *without* Junction Box

- a** Based on Distance between Centers, use screws and/or anchors (supplied by others) to fasten Surface Mounts to surface.

To continue, skip to **Step 5**.

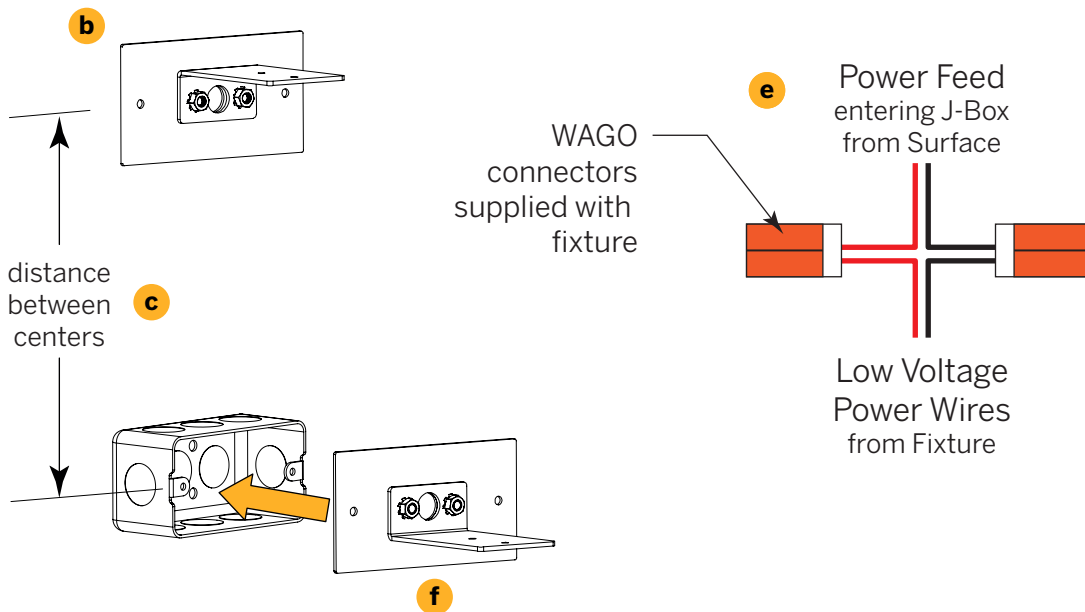
NOTE: Orientation of Surface Brackets may be different from illustration due to type of installation (e.g., ceiling or mullion mount).



Installation Instructions

Step 4 - Mounting & Wiring - Indoor Installation with Junction Box (supplied by others)

- a** Mount J-Box flush to surface on centerline of fixture, as shown above
- b** Mount each Surface Bracket onto a Back Plate with PEM Studs. Secure with nuts and lockwashers.
- c** Mount one Back Plate/Surface Bracket Assembly to J-Box. Use distance between centers (and/or fixture) to locate position of second assembly.
- d** Remove Plate/Bracket Assembly from J-Box to make electrical connections.
- e** Insert Low Voltage Power Wires from Fixture through Plate/Bracket Assembly. Inside J-Box, connect power (and control) feed to fixture using supplied connectors.
- f** Replace Plate/Bracket Assembly.



NOTE: Junction Box may be located on either end of fixture

NOTE: Orientation of Surface Bracket may be different from illustration due to type of installation (e.g., ceiling or mullion).



Installation Instructions

Step 5 - Complete Mounting

- a** Slide fixture onto both brackets at same time to prevent torquing of brackets or fixture. Longer fixtures may require assistance.
- b** Locate supplied Flat Head Torx screws (4). Insert screws (2 per side) into holes in fixture and screw into corresponding holes in brackets. Use a T20 screwdriver to tighten. Repeat for opposite end.

