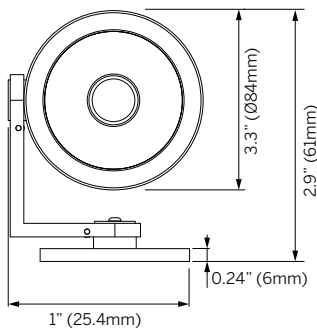
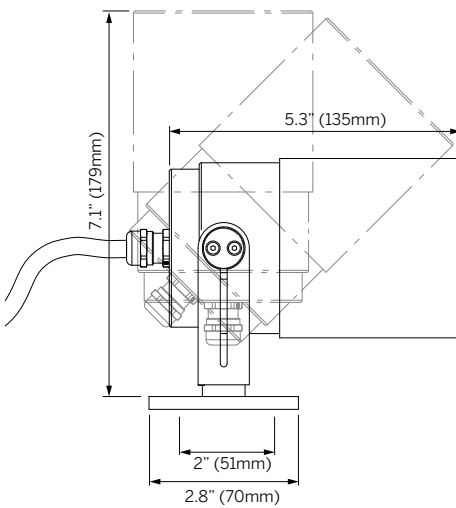


Croc Type X



Luminaire

- IP66 rated adjustable and lockable spot light.
- Surface, ground spike or tree strap mounting.
- Precision machined from 70 - 90% recycled aluminum.
- 95+ CRI with multiple CCTs and optics available.

Mounting

- SM = Surface Mounted
- GS = Ground Spike¹
- TS = Tree Strap¹

Power²

- 8 = 8W (798lm initial at 250mA, 34.1Vf)
- 12 = 12W (1513lm initial at 350mA, 36.9Vf)
- 20 = 20W (2310lm initial at 600mA, 33Vf)

CCT (95+ CRI)³

- 927 = 2700K
- 930 = 3000K
- 935 = 3500K
- 940 = 4000K

Optic

- VN = Very Narrow (12°)
- N = Narrow (15°)
- M1 = Medium 1 (23°)
- M2 = Medium 2 (25°)
- F2 = Flood 1 (32°)
- F2 = Flood 2 (39°)
- WF = Wide Flood (66°)

Finish

- W = Pure White, RAL9010
- BL = Matte Black, RAL9005
- CF = Custom finish, specify RAL

Options⁴

- SCS = Slash Cut Snoot
- SNT = Straight Snoot

Accessories⁵

- CL = Clear Lens
- DL = Diffused Lens
- HCL = Honeycomb Louver
- SOL = Solite Lens
- SHS = Sharp Spread Lens
- SOS = Soft Spread Lens

Remote Driver⁶

- ECO30W-500 = 0-10V EldoLED ECOdrive 30W for 1 fixture
- SOLO50W-500 = 0-10V EldoLED SOLOdrive 50W for 1-2 fixtures
- SOLO100W-500 = 0-10V EldoLED SOLOdrive 100W for 1-4 fixtures

1. See page 5 for details.
2. Wattage shown is for LED only, system wattage varies depending on driver selected.
3. See photometric data sheet for delivered lumens.
4. Snoot outside same finish as fixture, inside matte black. See page 6 for details.
5. Holds up to two accessories. See page 7 for details.
6. See driver information for details.

Ordering Information

Model	Mounting	Power ²	CRI/CCT ³	Optic	Finish	Options ⁴	Accessories ⁵	+	Driver ⁶
MS-CTX									
MS-CTX	SM GS ¹ TS ¹	8 12 20	927 930 935 940	VN N M1 M2 F1 F2 WF	W BL CF	SCS SNT	CL DL HCL SOL SHS SOS		ECO30W-500 SOLO50W-500 SOLO100W-500

